

WebbLok™ Stopper Insert Replacement

Step 1: Lower the shade to the lowest stop position.

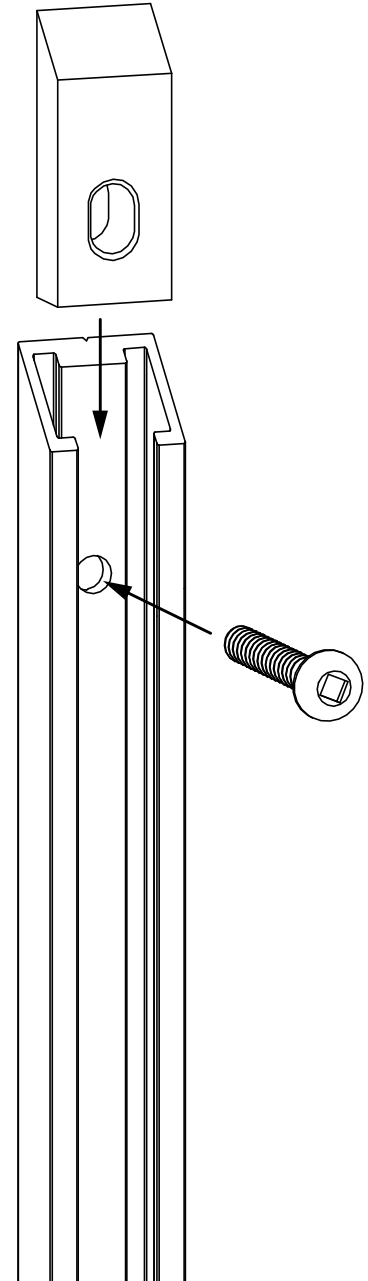
Step 2: Remove and save the top screw from each track.

Note: If replacing end tips as well, complete those instructions now.

Step 3: Slide the stopper insert into the track and secure in place with the screw you saved from step 1. Ensure stopper sits flush with the top of the track when secured.

Note: If the stopper insert does not slide into the track, remove the center screw and pivot the track out from the window.

Step 5: If the middle mounting screw was removed, replace it and clean up the area.



IPC.3193/REV.1

JUNIPER™ Commercial Window Treatments

inpro.com • 800.222.5556 • 262.679.9010

World Headquarters S80 W18766 Apollo Drive, Muskego, WI 53150 USA

Installation Hotline: 866.394.6776

inpro®