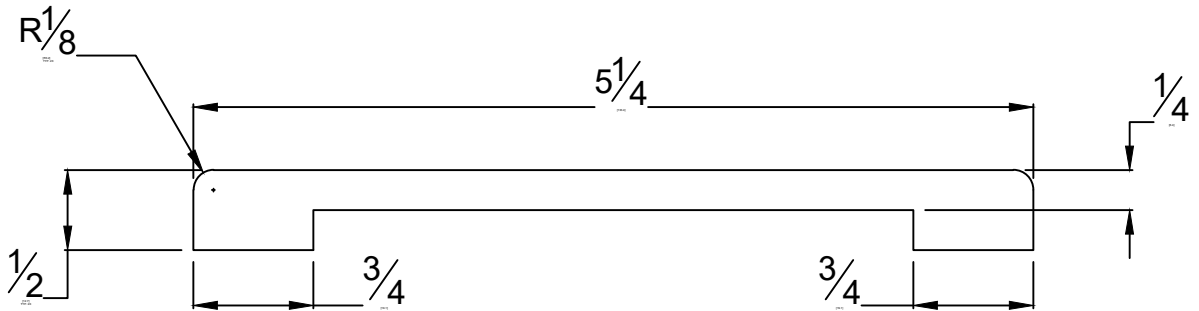
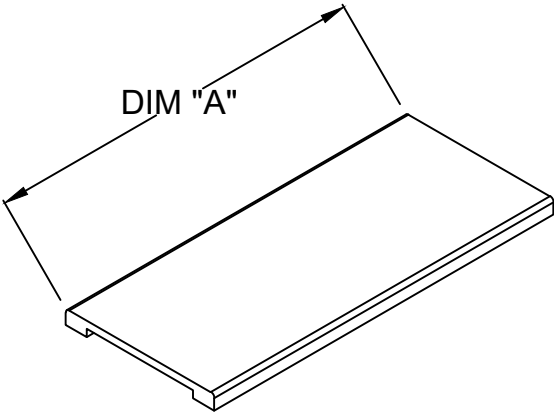


DIM "A"
58" [1473.2]
64" [1625.6]
72" [1828.8]
84" [2133.6]



NOTE: [] DIMS ARE IN mm.

FINISH: N/A

PROJECT:
CUSTOMER:
LOCATION:

PRISM™ SOLID SURFACE
U-SHAPED PARTITION TRIM

DATE:	03/18/2019
SCALE:	NTS
DOC:	CADEN.104/r2

inpro.
For More Information Visit: Inprocorp.com