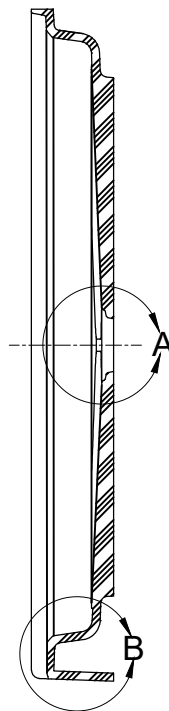
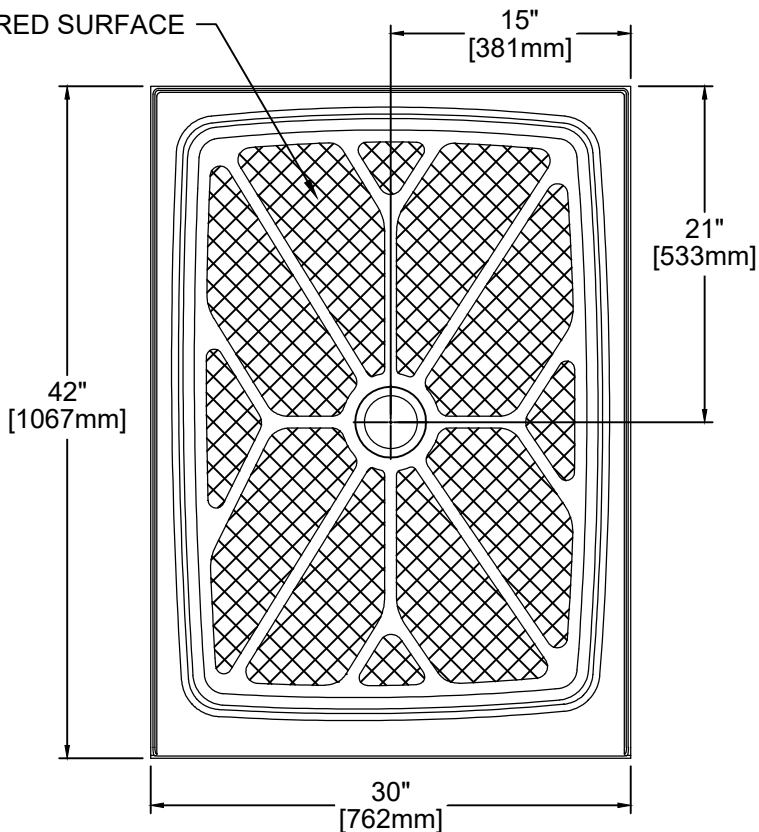
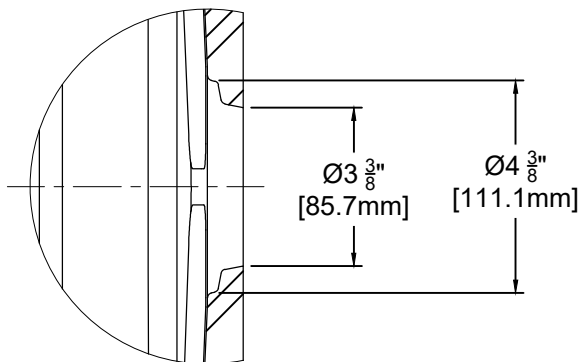


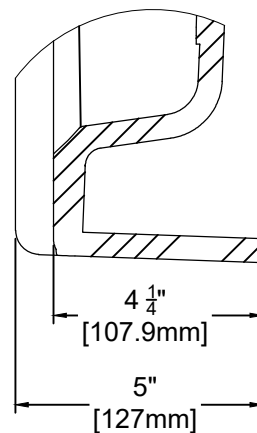
TEXTURED SURFACE



DETAIL A



DETAIL B



NOTE: [] DIMS ARE IN mm.

FINISH: N/A

PROJECT:

CUSTOMER:

LOCATION:

DSCSRP3042MOLD
STANDARD 30" x 42" RECTANGULAR
SHOWER RECEPTOR - PRISM™

DATE: 6/26/2020

SCALE: NTS

DOC: CADEN.073/R3

inpro.

For More Information Visit: Inprocorp.com