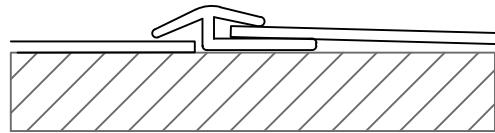
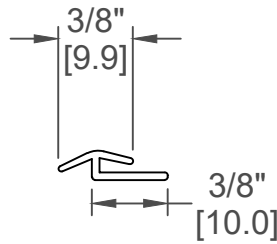
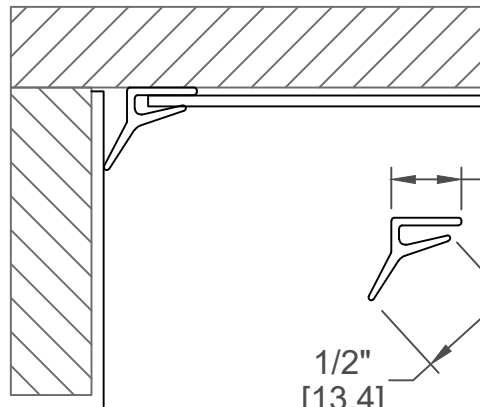


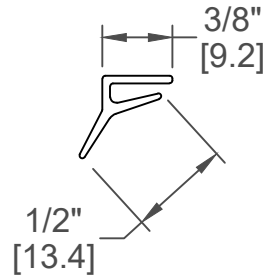
TOP CAP



DIVIDER BAR



INSIDER CORNER



FINISH:

PROJECT:

CUSTOMER:

LOCATION:

SOLID COLORED TRIM PIECES  
FOR IPC® RIGID SHEET

DATE: 12/8/97

SCALE: 1:1

DOC:CADIPC.095/R3

**inpro.**

For More Information Visit: [Inprocorp.com](http://Inprocorp.com)