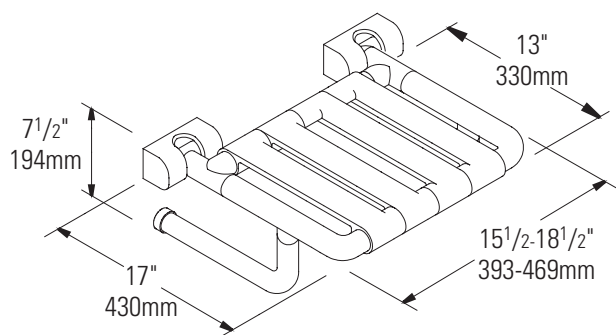


Shower and Tub Seats



- Allow for safety while bathing and getting in and out of the tub or shower
- Available styles either fold-up or are removable to save space when not in use
- Available in white or ivory

IPC.573/Rev.2

Shower and Tub Seats

Suggested Specifications

PART 1 GENERAL

1.01 SUMMARY

A. Color shower and tub seats safety and decoration.

1.02 SECTION INCLUDES

A. Section 10800 – Color shower and tub seats

1.03 REFERENCES

A. American with Disabilities Act Accessibility Guidelines (ADAAG)

B. American National Standards Institute (ANSI)

C. American Society for Testing and Materials (ASTM)

1.04 SUBMITTALS

A. Product Data: Manufacturer's standard product data for each product specified, including detail dimensions, function, and finish.

B. Samples: Manufacturer's color selection and verification samples – full size or 12" in length.

C. Manufacturer's printed installation instruction: Include anchoring and fastening details.

1.05 DELIVERY, STORAGE AND HANDLING

A. Deliver materials in unopened factory packaging to the jobsite

B. Inspect materials at delivery to assure that specified products have been received.

C. Store in original packaging in a climate controlled location away from direct sunlight.

1.06 PROJECT CONDITIONS

A. Environmental Requirements: Products must

be installed in an interior climate controlled environment.

1.07 WARRANTY

A. Limited 5 year Warranty against material and manufacturing defects.

PART 2 PRODUCTS

2.01 MANUFACTURER

A. Acceptable Distributor/Manufacturer:

Inpro® Corporation,
PO Box 406, Muskego, WI 53150, USA;
Telephone: 800-222-5556, Fax: 888-715-8407,
www.inprocorp.com

B. Substitutions: Not permitted.

C. Provide all shower and tub seats from a single manufacturer.

2.02 MANUFACTURED UNITS

A. Shower and tub seats.

1. Provide seats that are ADA compliant, designed to support not less than 300lbs of static load.

2. Corrosion resistant steel core with PVC finish coating.

3. Colors as selected from manufacturers standard range.

4. Seat options.

a. Removable seat

b. Fold-up seat

c. Double fold-up seat

d. Bathtub fold-up seat

e. Stool

f. Removable and width adaptable bathtub seat

PART 3 EXECUTION

3.01 EXAMINATION

A. Do not begin installation until substrates finishing operations are completed, including painting.

B. Verify that prepared openings are sized and located in accordance with architects recommendations. Verify that blocking, reinforcement and anchoring devices are the correct type.