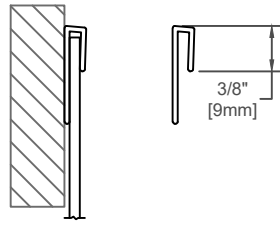
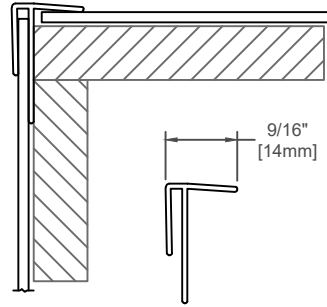


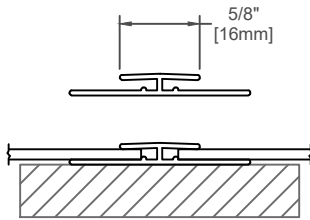
TOP CAP



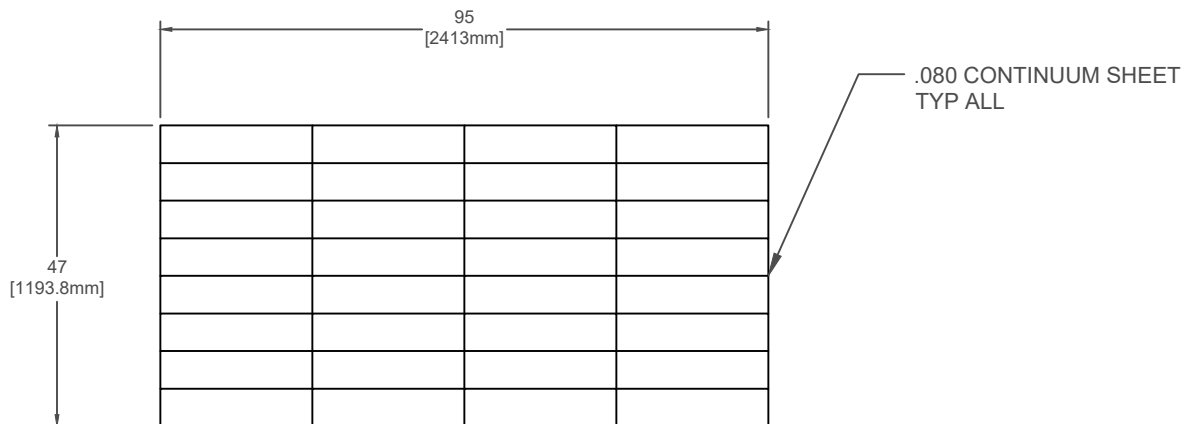
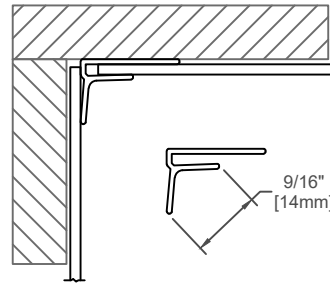
OUTSIDE CORNER



DIVIDER BAR



INSIDE CORNER



PROJECT:

CUSTOMER:

LOCATION:

ROUTED CONTINUUM™ 610VTPK & APPLICABLE TRIMS

DATE: 10/9/2023

SCALE: NTS

DOC:CADIPC.380/R1

FINISH:

inpro.

For More Information Visit: Inprocorp.com