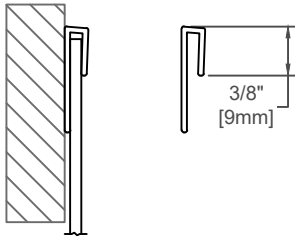
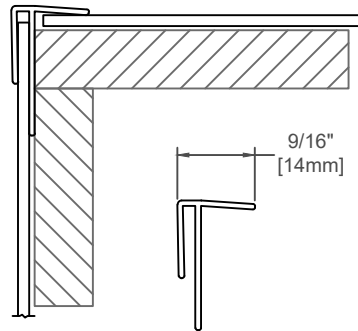


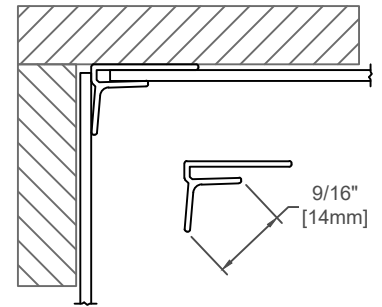
TOP CAP



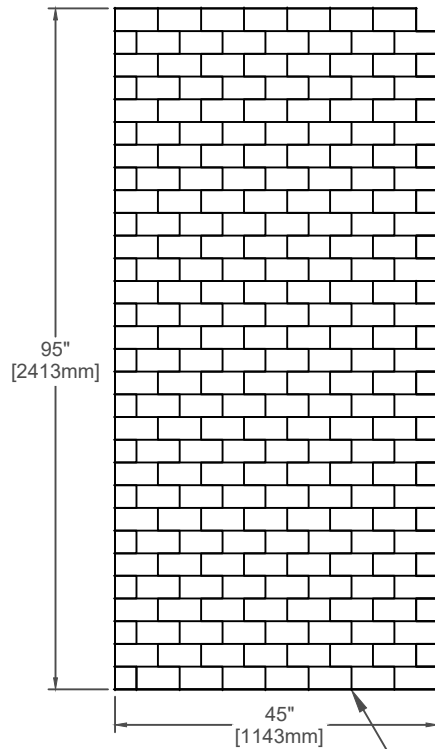
OUTSIDE CORNER



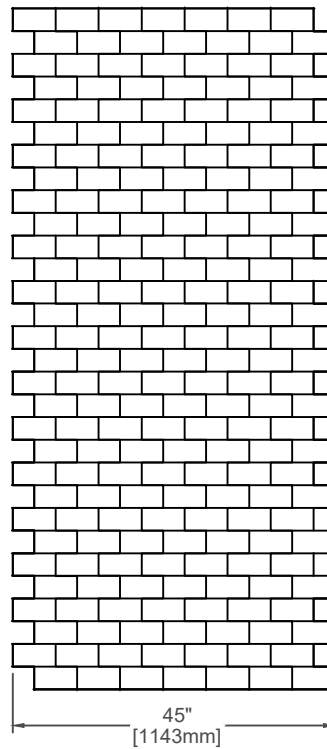
INSIDE CORNER



610SBWY-1  
ONE SIDED INTERLOCKING SHEET  
(USED AT START OF RUN)



610SBWY-2  
DUAL SIDED INTERLOCKING SHEET



.080 CONTINUUM SHEET  
TYP ALL

FINISH:

PROJECT:

CUSTOMER:

LOCATION:

ROUTED CONTINUUM™ 610SBWY  
VERTICAL & APPLICABLE TRIMS

DATE: 10/9/2023

SCALE: NTS

DOC:CADIPC.376/R2



For More Information Visit: [Inprocorp.com](http://Inprocorp.com)