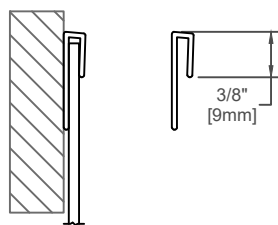
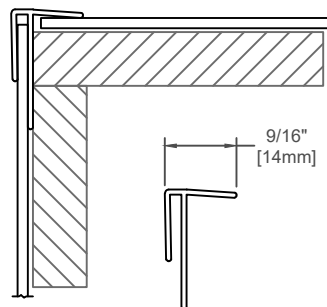


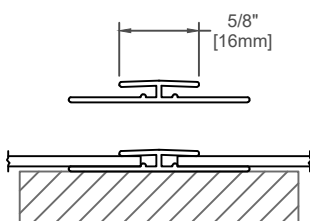
TOP CAP



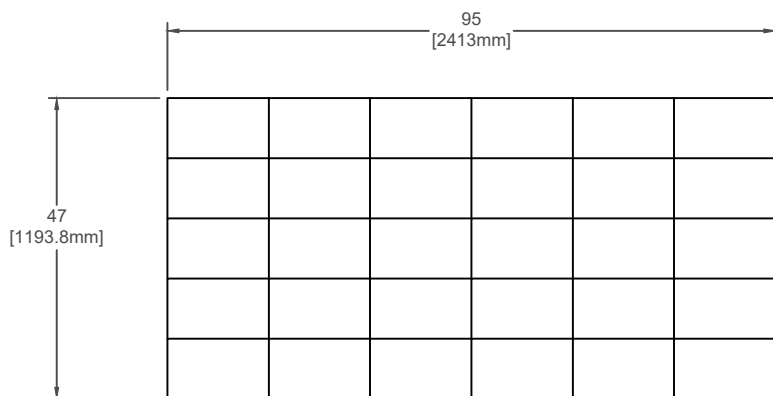
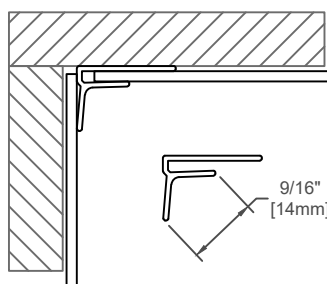
OUTSIDE CORNER



DIVIDER BAR



INSIDE CORNER



.080 CONTINUUM SHEET
TYP ALL

FINISH:

PROJECT:
CUSTOMER:
LOCATION:

ROUTED CONTINUUM™ 610RECT &
APPLICABLE TRIMS

DATE: 10/9/2023
SCALE: NTS
DCCADIPC.374/REV1

For More Information Visit: Inprocorp.com