

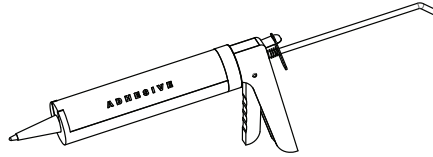
Installation Instructions

Ricochet® Top Trim Piece

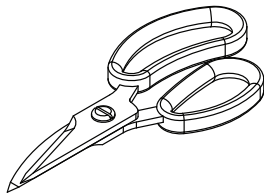
Recommended Tools



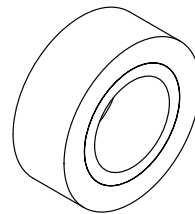
RCTRIM-XXXX



585C-Clear Caulk



Scissors/Shears



Blue Painters Tape

Trim Piece Install Steps

1. For trim that needs to be cut, use a chop saw if available, otherwise a pair of scissors or shears.
2. Ensure that all dust and debris is cleared from the top edge of Ricochet®.
3. Using Inpro's 585C-Clear Caulk, run a bead about 1/8" thick along the top edge of the Ricochet®, matching the length of the trim being installed.
4. Slowly roll and press trim piece onto the edge of the Ricochet®, matching the bottom ledge of the trim piece to the top edge of the Ricochet®. **SEE FIG. 1**

NOTE: For inside corners, butt up trim pieces together (**SEE FIG. 2**). For outside corners, stop short of recommended corner guard (**SEE FIG. 3A**), but allow corner height to match height of installed Ricochet® trim (**SEE FIG. 3B**).

IPC.3157/REV.1

IPC® Door + Wall Protection

inpro.com • 800.222.5556 • 262.679.9010

World Headquarters S80 W18766 Apollo Drive, Muskego, WI 53150 USA

Installation Hotline: 866.394.6776

inpro®

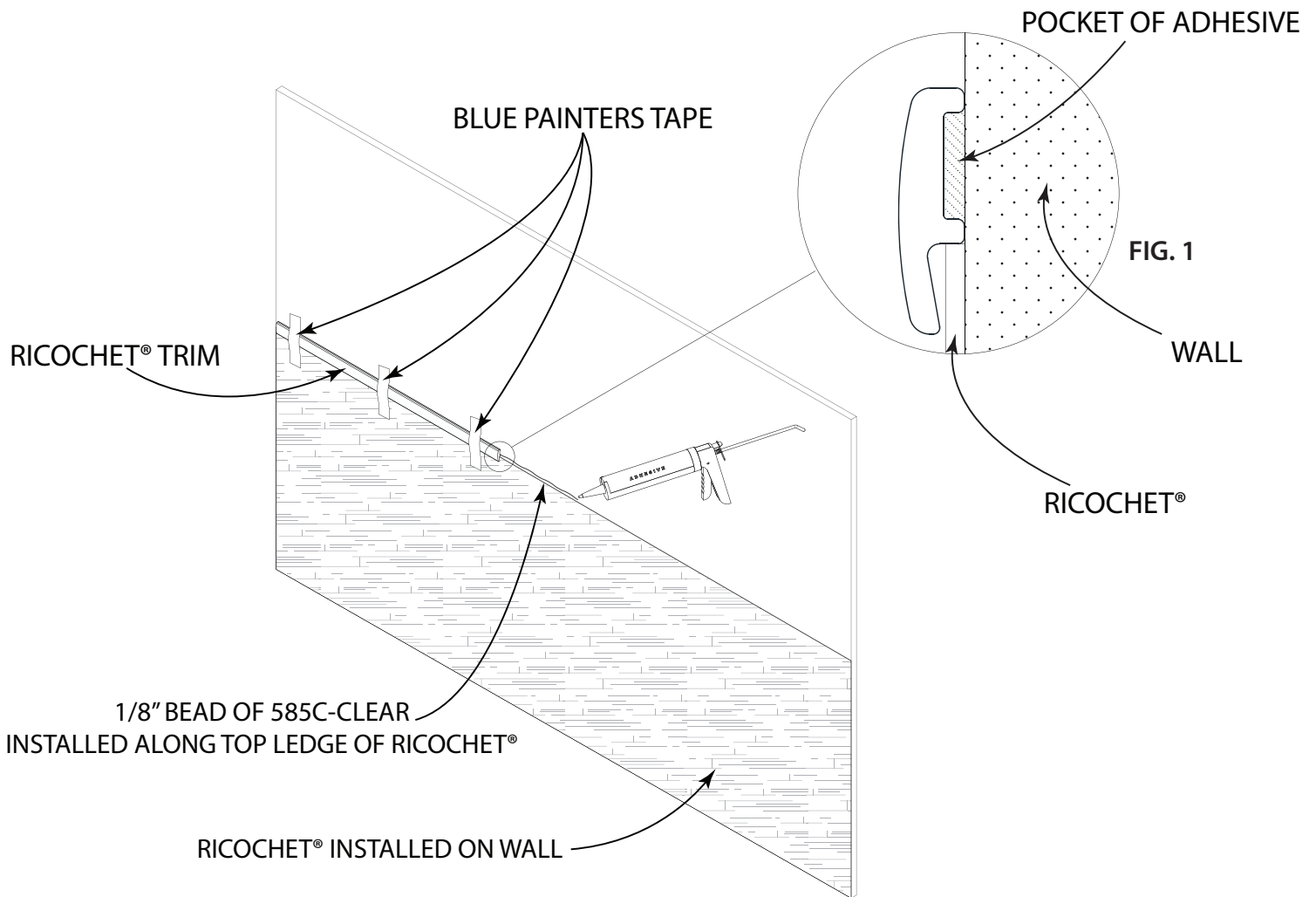
Installation Instructions

Ricochet® Top Trim Piece

5. Once the trim piece has been secured to the top edge of the Ricochet®, apply strips of blue painters tape on to the trim piece to hold in place. A 3" long piece of blue painters tape secured perpendicular to trim every 4' and seams will suffice.

6. After the trim piece has been secured in place, used a damp sponge/rag to clean up any adhesive leaking from trim edge.

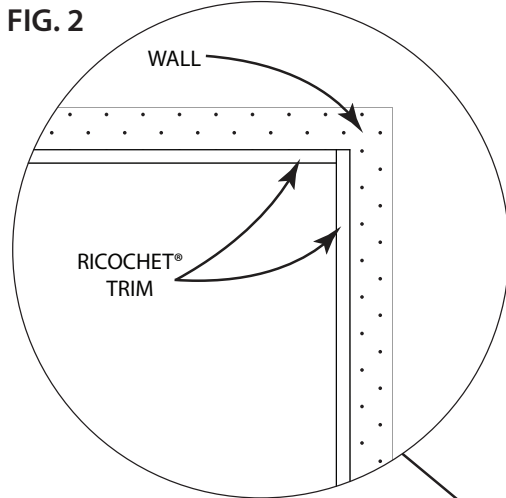
NOTE: It is recommended to allow the trim piece to set for a min. of 24 hours, to ensure adhesion.



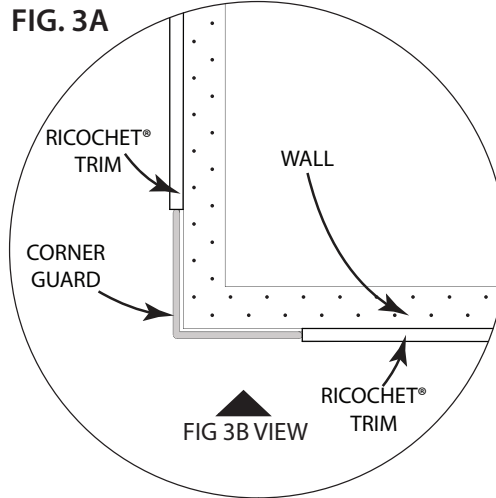
Installation Instructions

Ricochet® Top Trim Piece

INSIDE CORNER CONDITION:
PLAN VIEW



OUTSIDE CORNER CONDITION:
PLAN VIEW



OUTSIDE CORNER CONDITION:
ELEVATION VIEW

