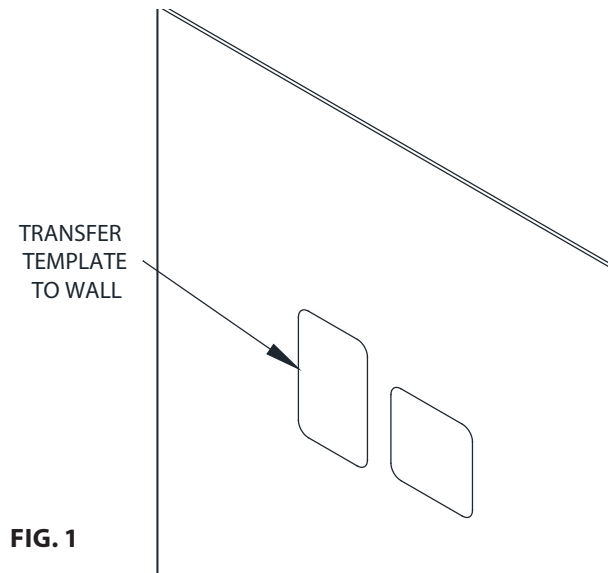


# Prism™ Solid Surface

## Installation Instructions Small and Large Recessed Soap Caddy

Please read all instructions before installing products.

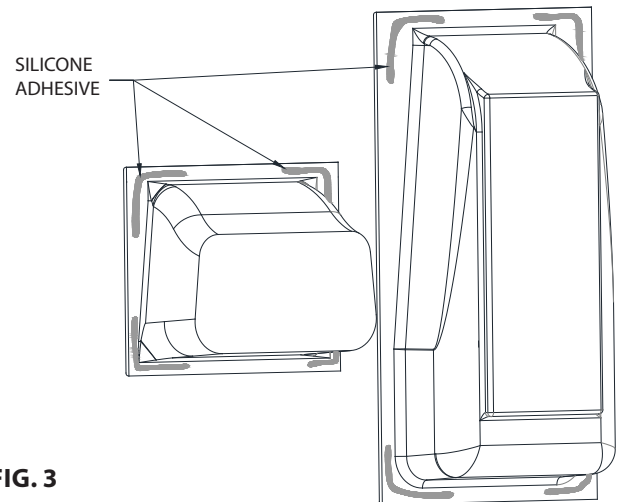
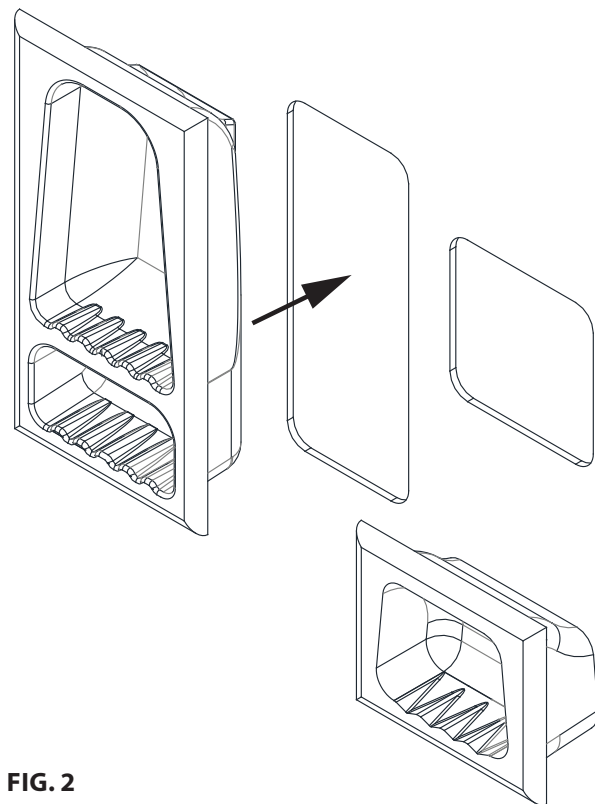


1. Determine the soap dish location on the wall. Avoid locating where a stud may interfere.

2. Transfer the template to the wall.  
*See Figure 1.*

3. Drill a 3/8" hole in all corners of the template. Using a jigsaw, cut a hole in the wall following the template. Dry fit soap dish in opening. Use level across dish to insure proper placement and trace guide lines on panel for placement when gluing in place.  
*See Figure 2.*

4. Apply beads of silicone adhesive to back flange of the dish leaving room for hot melt glue.  
*See Figure 3.*



IPC.1300/REV.5

ENDURANT® Washroom Systems

[inpro.com](http://inpro.com) • 800.222.5556 • 262.679.9010

World Headquarters S80 W18766 Apollo Drive, Muskego, WI 53150 USA

Installation Hotline: 866.394.6776

**inpro**®

# Prism™ Solid Surface

## Installation Instructions Small and Large Recessed Soap Caddy

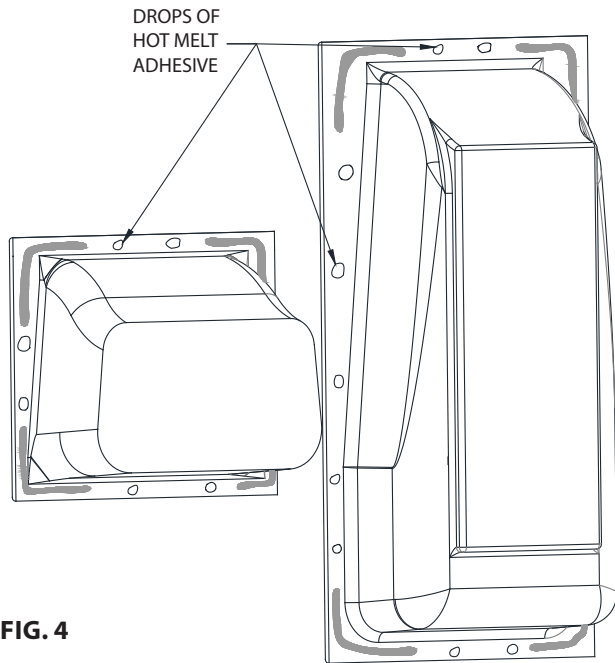


FIG. 4

5. Apply hot melt glue to several locations on the back of the dish.

*See Figure 4.*

6. Immediately position dish in wall cavity, making sure the shelf is level. Remove any excess adhesive with de-natured alcohol. Tape soap dish to hold in place until adhesive cures.

*See Figure 5.*

7. Allow silicone to cure. Complete the installation with a bead of silicone around the perimeter of the dish where it meets the wall. Clean-up excess silicone with de-natured alcohol.

*See Figure 6.*

**Note:**

If you are using pick resistant color coordinated caulk (FastFill) please refer to the FastFill Installation Addendum.

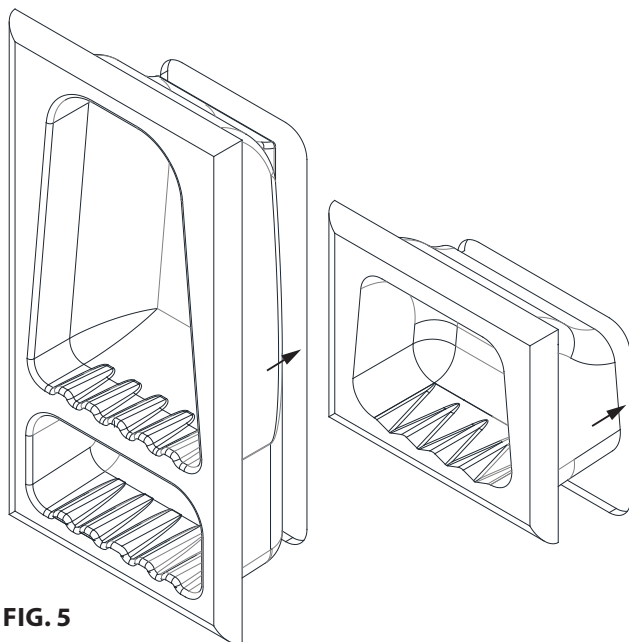


FIG. 5

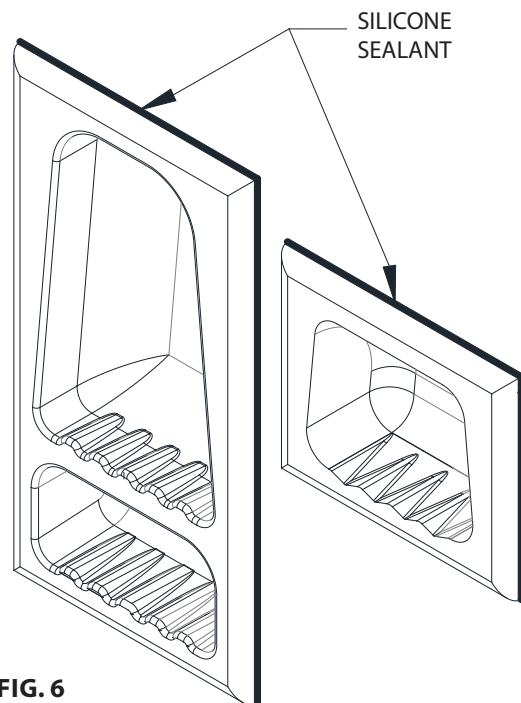


FIG. 6