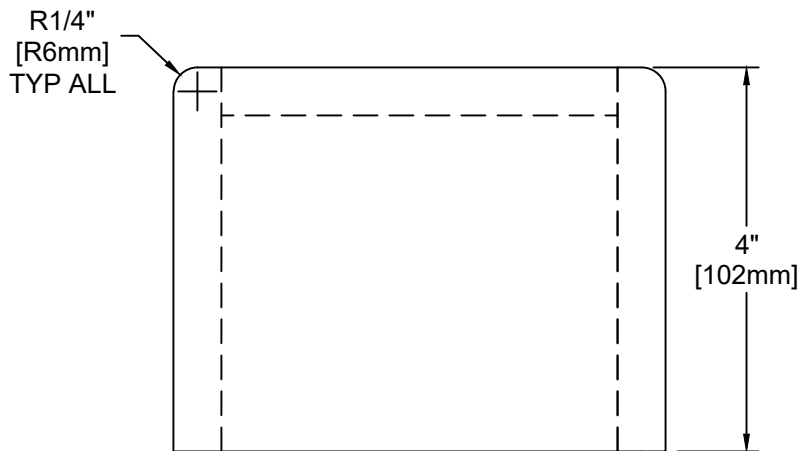
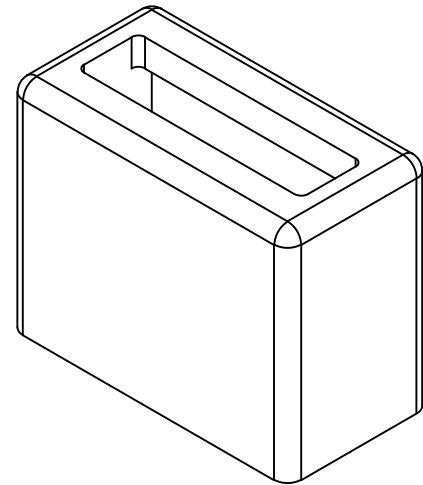
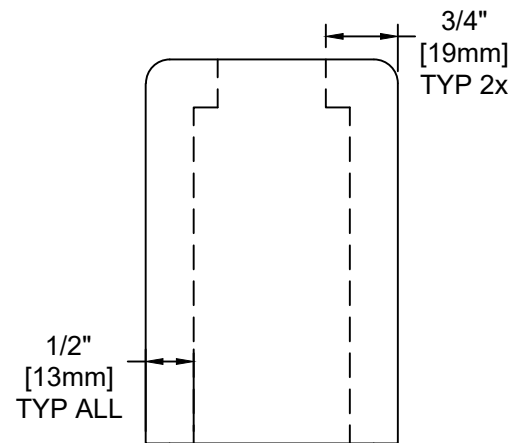


**TOP VIEW**



**FRONT VIEW**



**SIDE VIEW**

| PART NUMBER | PILASTER SIZE  | "A" DIM        | "B" DIM        |
|-------------|----------------|----------------|----------------|
| DSSH0E03    | 3.00" [76.2]   | 3.13" [79.5]   | 4.13" [104.9]  |
| DSSH0E04    | 4.00" [101.6]  | 4.13" [104.9]  | 5.13" [130.3]  |
| DSSH0E05    | 5.00" [127.0]  | 5.13" [130.3]  | 6.13" [155.7]  |
| DSSH0E06    | 6.00" [152.4]  | 6.13" [155.7]  | 7.13" [181.1]  |
| DSSH0E07    | 7.00" [177.8]  | 7.13" [181.1]  | 8.13" [206.5]  |
| DSSH0E08    | 8.00" [203.2]  | 8.13" [206.5]  | 9.13" [231.9]  |
| DSSH0E09    | 9.00" [228.6]  | 9.13" [231.9]  | 10.13" [257.3] |
| DSSH0E10    | 10.00" [254.0] | 10.13" [257.3] | 11.13" [282.7] |
| DSSH0E12    | 12.00" [304.8] | 12.13" [308.1] | 13.13" [333.5] |
| DSSH0E14    | 14.00" [355.6] | 14.13" [358.9] | 15.13" [384.3] |
| DSSH0E16    | 16.00" [406.4] | 16.13" [409.7] | 17.13" [435.1] |
| DSSH0E18    | 18.00" [457.2] | 18.13" [460.5] | 19.13" [485.9] |
| DSSH0E20    | 20.00" [508.0] | 20.13" [511.3] | 21.13" [536.7] |
| DSSH0E22    | 22.00" [558.8] | 22.13" [562.1] | 23.13" [587.5] |
| DSSH0E24    | 24.00" [609.6] | 24.13" [612.9] | 25.13" [638.3] |

NOTE:  
[ ] DIMS ARE IN mm.

FINISH: N/A

PROJECT:

CUSTOMER:

LOCATION:

PRISM™ SOLID SURFACE  
PILASTER SHOES

DATE: 1/28/2019

SCALE: NTS

DOC: CADEN.098/R2



For More Information Visit: [Inprocorp.com](http://Inprocorp.com)