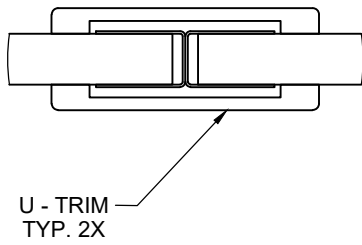
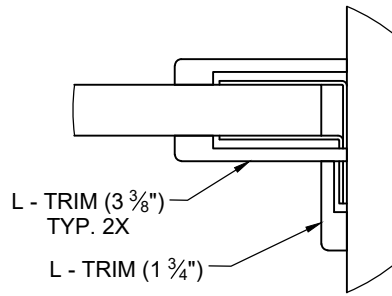


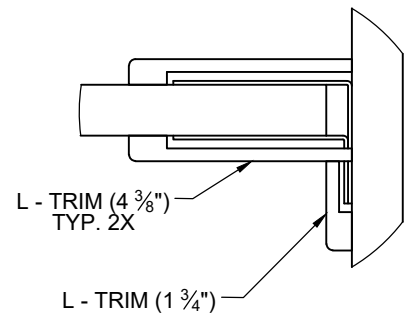
H - BRACKET
CONTINUOUS



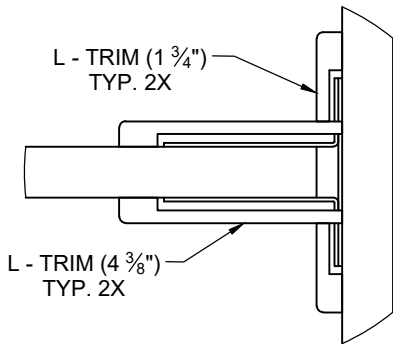
ONE EAR BRACKET - SHORT
INDIVIDUAL & CONTINUOUS



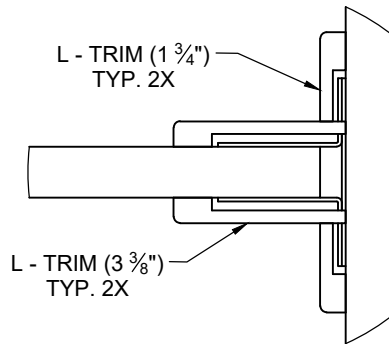
ONE EAR BRACKET - LONG
INDIVIDUAL



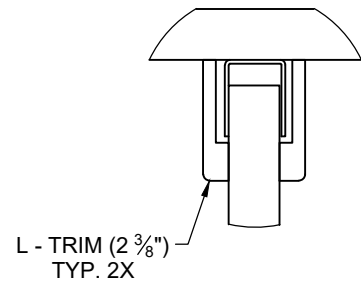
TWO EAR BRACKET - LONG
INDIVIDUAL



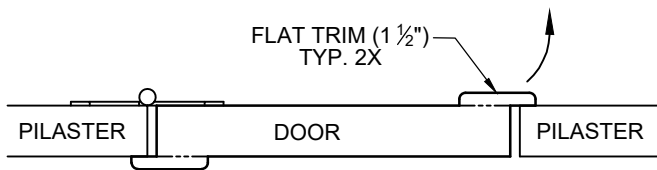
TWO EAR BRACKET - SHORT
CONTINUOUS & URINAL SCREEN



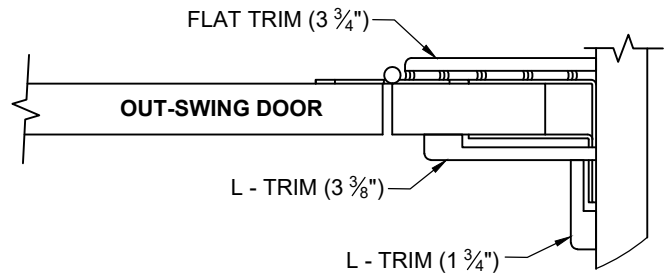
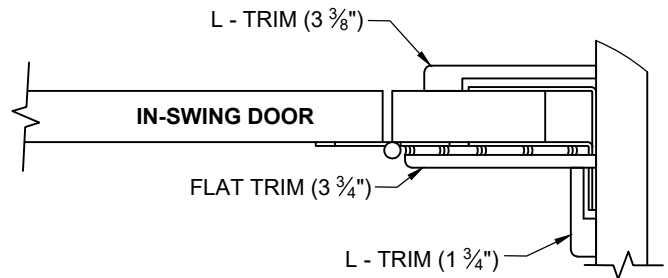
U - BRACKET
INDIVIDUAL & CONTINUOUS



DOOR



ONE EAR BRACKET - SHORT
(3" PILASTER ONLY)
INDIVIDUAL & CONTINUOUS



AVAILABLE LENGTHS:

- 58" [1473.2]
- 64" [1625.6]
- 72" [1828.8]
- 84" [2133.6]

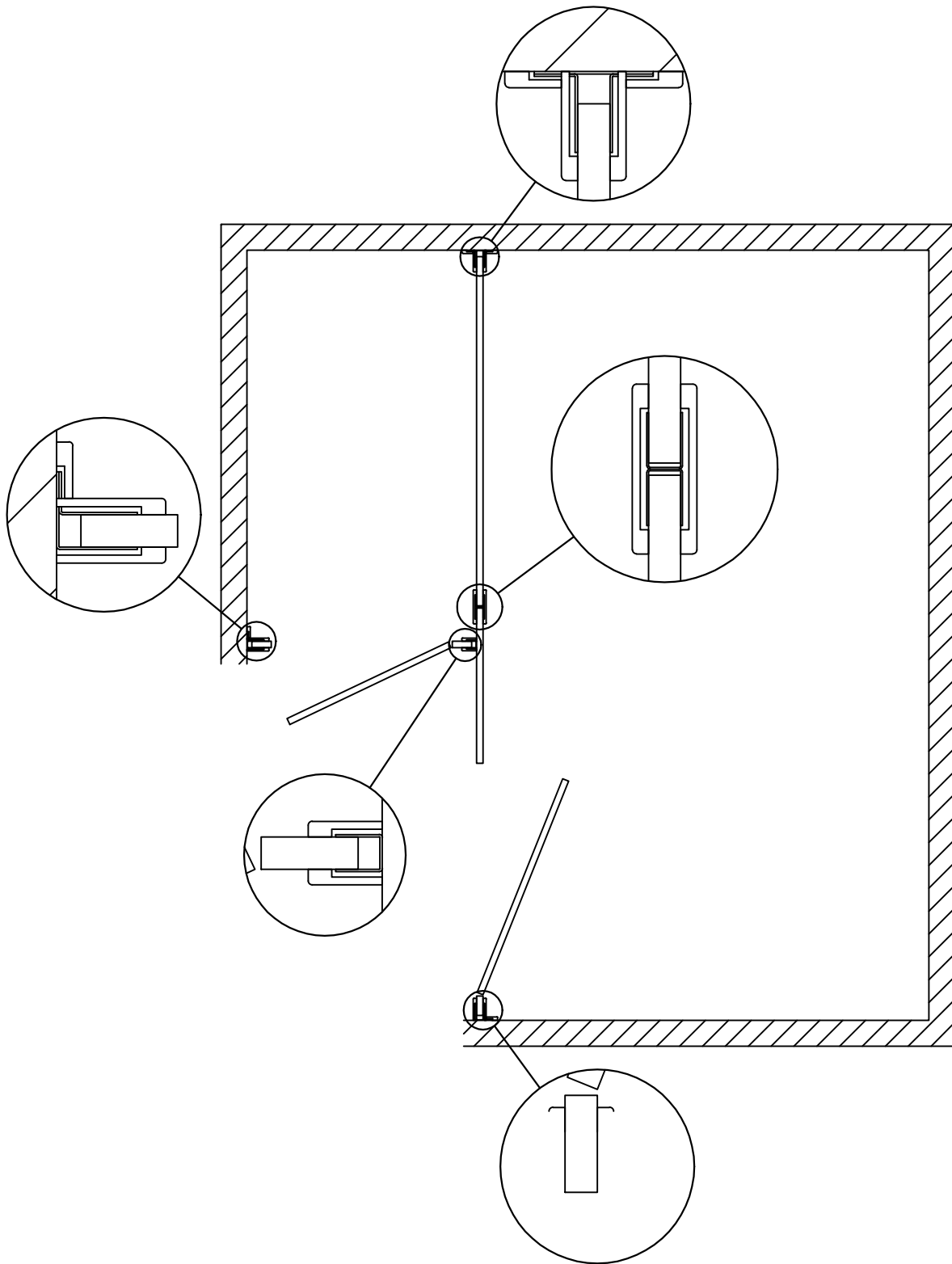
TRIM TO BE CUT TO LENGTH IN
FIELD FOR CUSTOM LENGTHS

NOTE: [] DIMS ARE IN mm.

1" GAP MANDATORY BETWEEN PILASTER AND WALL

FINISH: N/A

| | | | |
|-----------|--|-------------------|---|
| PROJECT: | PARTITIONS - FULL TRIM PACKAGE TYPICAL USE SCENARIO | DATE: 03/18/2019 | inpro. For More Information Visit: Inprocorp.com |
| CUSTOMER: | | SCALE: NTS | |
| LOCATION: | | DOC: CADEN.102/r2 | |



NOTE: [] DIMS ARE IN mm.

FINISH: N/A

| |
|-----------|
| PROJECT: |
| CUSTOMER: |
| LOCATION: |

PARTITIONS - FULL TRIM PACKAGE
TYPICAL USE SCENARIO

| | |
|--------|--------------|
| DATE: | 03/18/2019 |
| SCALE: | NTS |
| DOC: | CADEN.102/r2 |

inpro.
For More Information Visit: Inprocorp.com