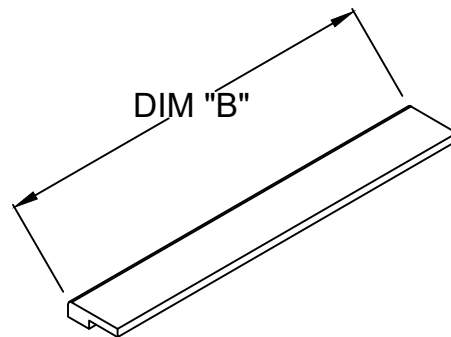
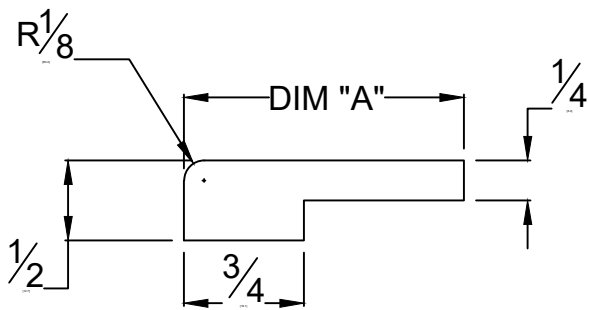


DIM "A"	DIM "B"
1.75" [44.5]	58" [1473.2]
1.75" [44.5]	64" [1625.6]
1.75" [44.5]	72" [1828.8]
1.75" [44.5]	84" [2133.6]
2.375" [60.3]	58" [1473.2]
2.375" [60.3]	64" [1625.6]
2.375" [60.3]	72" [1828.8]
2.375" [60.3]	84" [2133.6]

DIM "A"	DIM "B"
3.375" [85.7]	58" [1473.2]
3.375" [85.7]	64" [1625.6]
3.375" [85.7]	72" [1828.8]
3.375" [85.7]	84" [2133.6]
4.375" [111.1]	58" [1473.2]
4.375" [111.1]	64" [1625.6]
4.375" [111.1]	72" [1828.8]
4.375" [111.1]	84" [2133.6]



NOTE: [] DIMS ARE IN mm.

PROJECT:
CUSTOMER:
LOCATION:

PRISM™ SOLID SURFACE
L-SHAPED PARTITION TRIM

DATE:	03/18/2019
SCALE:	NTS
DOC:	CADEN.101/r2

FINISH: N/A

For More Information Visit: Inprocorp.com