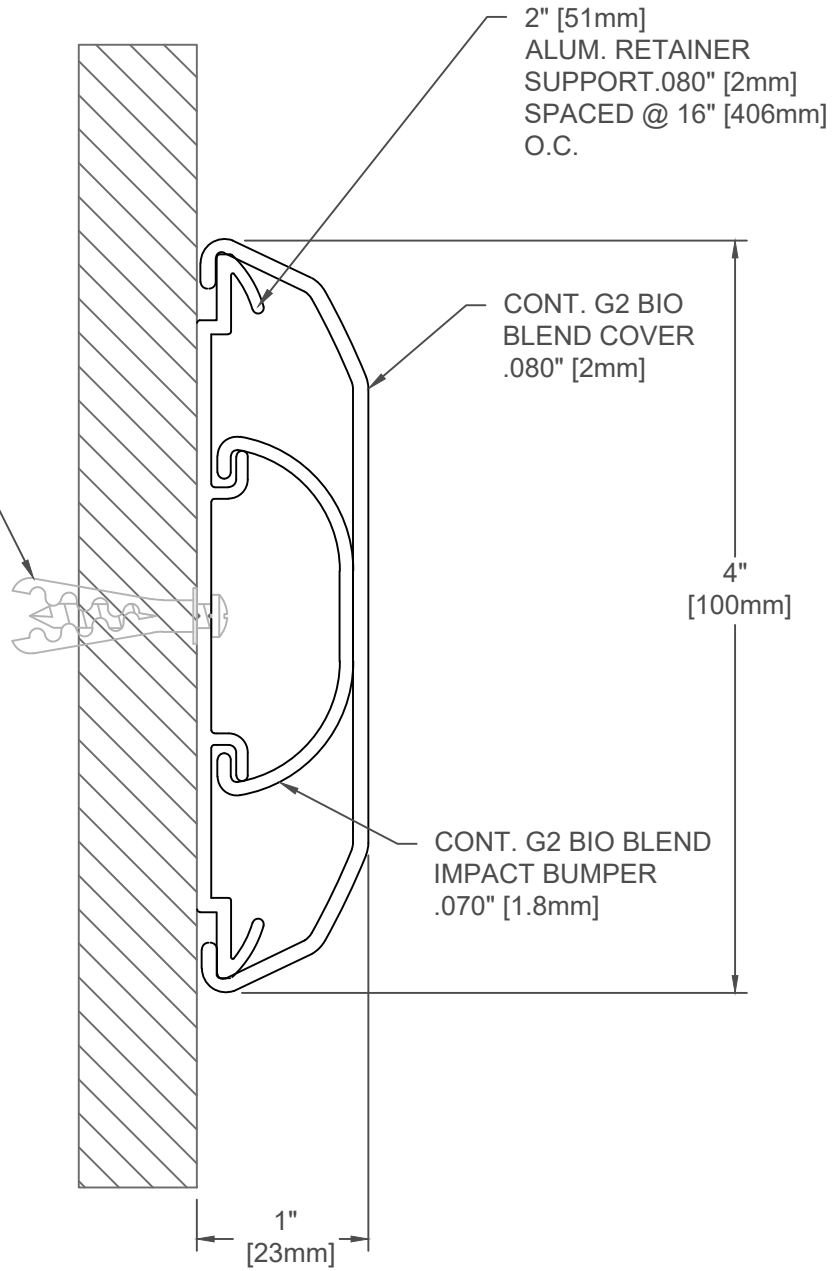


#10 x 1³/₄" [M5x44]
SHEET METAL SCREW
W/ ALLIGATOR ANCHOR
(HW53/HW38)



PROJECT:

CUSTOMER:

LOCATION:

G2 5000i WALL GUARD

DATE: 3/17/11

SCALE: 1:1

DOC:CADIPC.091/R1

FINISH:

inpro.

For More Information Visit: Inprocorp.com