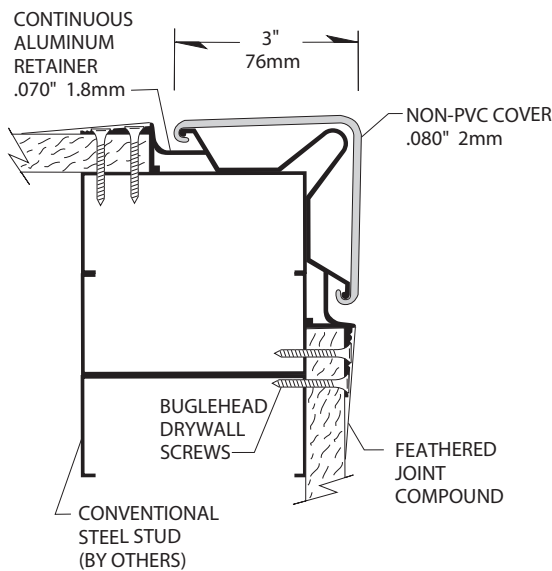


EnviroGT G2-150F Flush Mount

Corner Guard



- Non-PVC cover is manufactured with G2 BioBlend™, Inpro's exclusive blend of PETG and biopolymer.
- Offer minimum design interruption by creating a smooth transition from wall to corner
- Easily wrap cove base around corners with optional cove base retainer
- Achieve a finished look for less than ceiling height installations with available closure caps
- Coordinate interiors with standard colors
- Meets the most rigorous standards and criteria of chemical emissions as prescribed by the GREENGUARD Environmental Institute
- Has been tested and meets GREENGUARD Environmental Institute's and the state of California's requirements for low emitting products as tested by Air Quality Sciences
- Has been tested and meets the GREENGUARD Children & School chemical emissions levels



IPC.1140/REV.3

EnviroGT G2-150F Flush Mount Corner Guard

Suggested Specifications

PART 1 - GENERAL

1.01 SUMMARY

- A. Non PVC corner guard system for wall protection and decoration

1.02 SECTION INCLUDES

- A. G2-150F Flush Mount Corner Guard Systems

1.03 REFERENCES

- A. American National Standards Institute (ANSI)
B. American Society for Testing and Materials (ASTM)
C. National Fire Protection Association (NFPA)
D. Society of Automotive Engineers (SAE)

1.04 SYSTEM DESCRIPTION

- A. Performance Requirements: Provide corner guard systems that conform to the following requirements of regulatory agencies and the quality control of IPC Door and Wall Protection Systems, InPro Corporation.

1. Fire Performance Characteristics: Provide material conforming with the NFPA Class A fire rating. Surface burning characteristics, as determined by ASTM E-84, shall be flame spread of 25 or less and smoke development of 450 or less.
2. Impact Strength: Provide materials that have been tested in accordance with the applicable provisions of ASTM D-256, Impact Resistance of Plastics.
3. Chemical and Stain Resistance: Provide material that shows resistance to stain when tested in accordance with applicable provisions of ASTM D-543.
4. Fungal and Bacterial Resistance: Provide material that does not support fungal or bacterial growth as tested in accordance with ASTM G-21 and ASTM G-22.
5. GREENGUARD Certified: Provide GREENGUARD Certified material. Profiles shall meet the requirements of GREENGUARD Certification Standards for Low-Emitting Products and GREENGUARD Product Emission Standard for Children & Schools.
6. Color Consistency: Provide components matched in accordance with SAE J-1545 - (Delta E) with a color difference no greater than 1.0 units using CIE Lab, CIE CMC, CIE LCh, Hunter Lab or similar color space scale systems.

1.05 SUBMITTALS

- A. Product Data: Manufacturer's printed product data for each product indicated in this section.
B. Detail Drawings: Mounting details with the appropriate fasteners for specific project substrates.
C. Samples: Verification samples of corner guard, 8" (203mm) long, in full size profiles of each type and color indicated.
D. Manufacturer's Installation Instructions: Printed installation instructions for each corner guard.

1.06 DELIVERY, STORAGE AND HANDLING

- A. Deliver materials in unopened factory packaging to the jobsite
B. Inspect materials at delivery to assure that specified

products have been received.

- C. Store in original packaging in a climate controlled location away from direct sunlight.

1.07 PROJECT CONDITIONS

- A. Environmental Requirements: Install products in an interior climate controlled environment.

1.08 WARRANTY

- A. Standard IPC Limited Lifetime Warranty against material and manufacturing defects.

PART 2 - PRODUCTS

2.01 MANUFACTURER

- A. Acceptable Manufacturer: IPC Door and Wall Protection Systems™, InPro Corporation, PO Box 406, Muskego, WI 53150, USA; Telephone: 800.222.5556, Fax: 888.715.8407, www.inprocorp.com
B. Substitutions: Not permitted
C. Provide all corner guard and wall protection from a single manufacturer.

2.02 LEED CRITERIA

- A. Provide corner guard systems with components that have recycled content.

1. MR Credit 4.1, 10%(post-consumer + ½ pre-consumer), 1 credit
2. MR Credit 4.2, 20%(post-consumer + ½ pre-consumer), 1 credit

2.03 MANUFACTURED UNITS

- A. Corner Guard Profile
1. G2-150F Flush Mount Corner Guard Profile
3" (76mm) x 3" (76mm) 90 degree
12' (3.66m) standard height.
Options: Custom heights available.

2.04 MATERIALS

- A. Reformulated PETG with Biopolymer Blend: Snap on cover of .080" (2mm) thickness shall be extruded from chemical and stain resistant PETG.
B. Aluminum: Continuous aluminum retainer of .070" (1.8mm) thickness shall be fabricated from 6063-T5 aluminum with a mill finish.

2.05 COMPONENTS

- A. Cove Base Retainer: Optional cove base retainer shall be fabricated from 6063-T5 aluminum with a mill finish.
B. Closure Cap: Optional closure cap shall be fabricated from .032"(.8mm) thick aluminum
C. Fasteners: All mounting system accessories appropriate for substrates indicated on the drawings shall be provided.

2.06 FINISHES

- A. Corner Guard Covers: Corner guard colors to be selected by the architect from the IPC finish selection.

PART 3 - EXECUTION

3.01 EXAMINATION

- A. Examine areas and conditions in which the corner guard system will be installed.

1. Complete all finishing operations, including painting, before beginning installation of corner guard system materials.
2. Wall surface shall be dry and free from dirt, grease and loose paint.

3.02 PREPARATION

- A. General: Prior to installation, clean substrate to remove dust, debris and loose particles.

3.03 INSTALLATION

- A. General: Locate corner guard as indicated on approved detail drawings for the appropriate substrate and in compliance with the IPC installation instructions. Install corner guard level and plumb at the height indicated on the drawings.
B. Installation of G2-150F Flush Mount Corner Guard:
1. Drywall installation: Drywall must be installed 2-3/8"(60mm) back from the corner of the stud.
2. Position the aluminum retainer in the recess formed by the drywall. The mounting flange of the retainer rests over the edge of the drywall. If you are using the aluminum cove base retainer, snap it on the aluminum retainer before attaching the retainer to the studs.
3. Attach the aluminum retainer to the studs using 1-1/4" bugle head drywall screws, 18" (457mm) on center, through the pre-punched holes on the mounting flange
4. Cover the mounting flange with joint compound. Feather and finish with the surface of the drywall. When installing flush mount corner guards at less than ceiling height, use the optional closure cap. Attach the closure cap to the top of the aluminum retainer with 1-1/4" Phillips round head self tapping screws through each mounting tab. Feather and finish the exposed edge of the closure cap with the surface of the drywall. Alternately, standard drywall trim may be used to finish the top edge. Appropriate use of trim will aid in the feathering of joint compound to the corner guard vinyl.

3.04 CLEANING

- A. At completion of the installation, clean surfaces in accordance with the IPC clean-up and maintenance instructions.