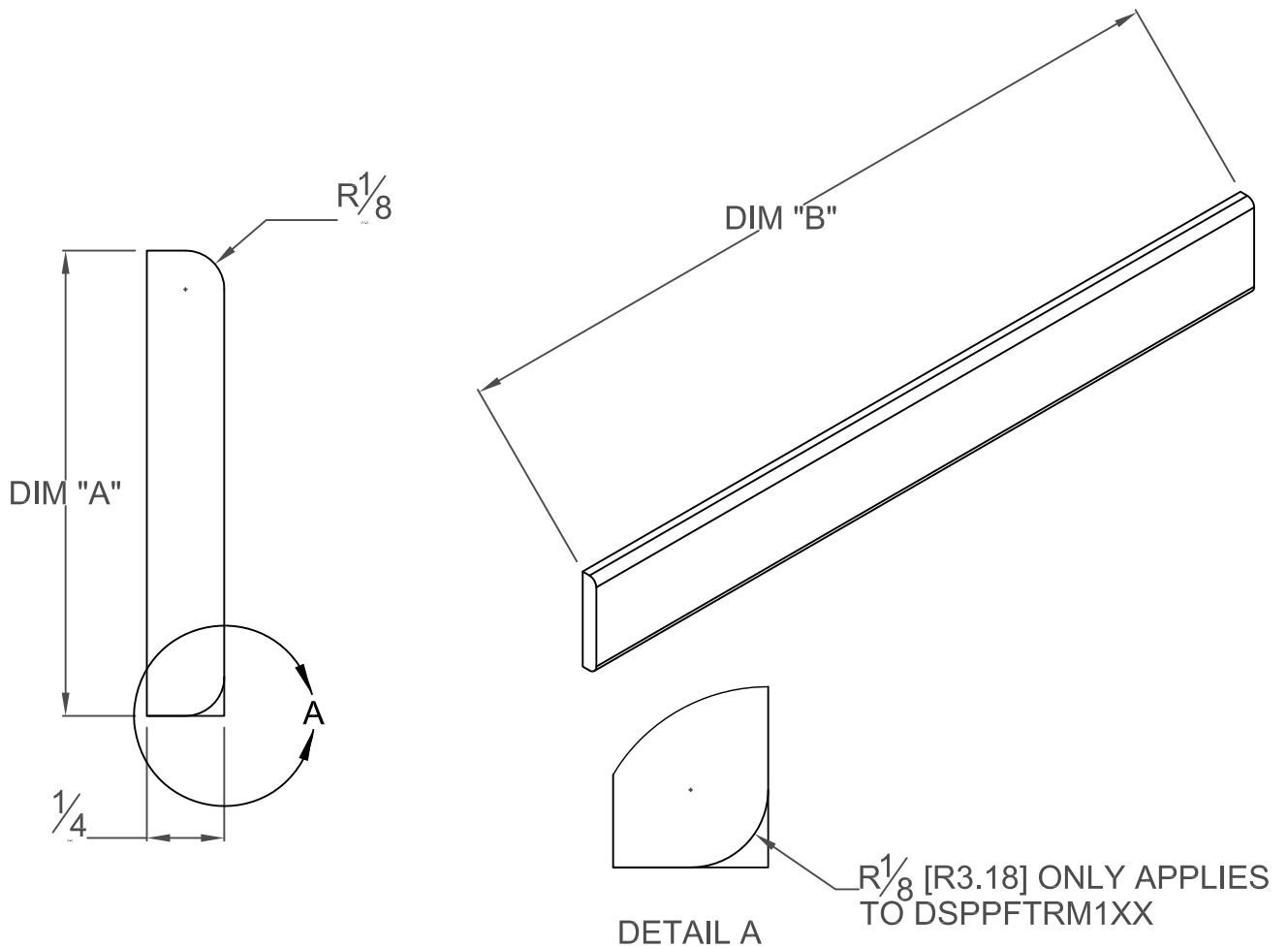


DIM "A"	DIM "B"
1.5" [38.1]	58" [1473.2]
1.5" [38.1]	64" [1625.6]
1.5" [38.1]	72" [1828.8]
1.5" [38.1]	84" [2133.6]
3.75" [95.3]	58" [1473.2]
3.75" [95.3]	64" [1625.6]
3.75" [95.3]	72" [1828.8]
3.75" [95.3]	84" [2133.6]



BOTTOM RADIUS ONLY APPLIES TO PARTS WITH DIM "A" OF 1.5" [38.1]

NOTE: [] DIMS ARE IN mm.

PROJECT:		PRISM™ SOLID SURFACE FLAT PARTITION TRIM	DATE:	03/18/2019	FINISH: N/A
CUSTOMER:			SCALE:	NTS	 For More Information Visit: Inprocorp.com
LOCATION:			DOC:	CADEN.100/R2	