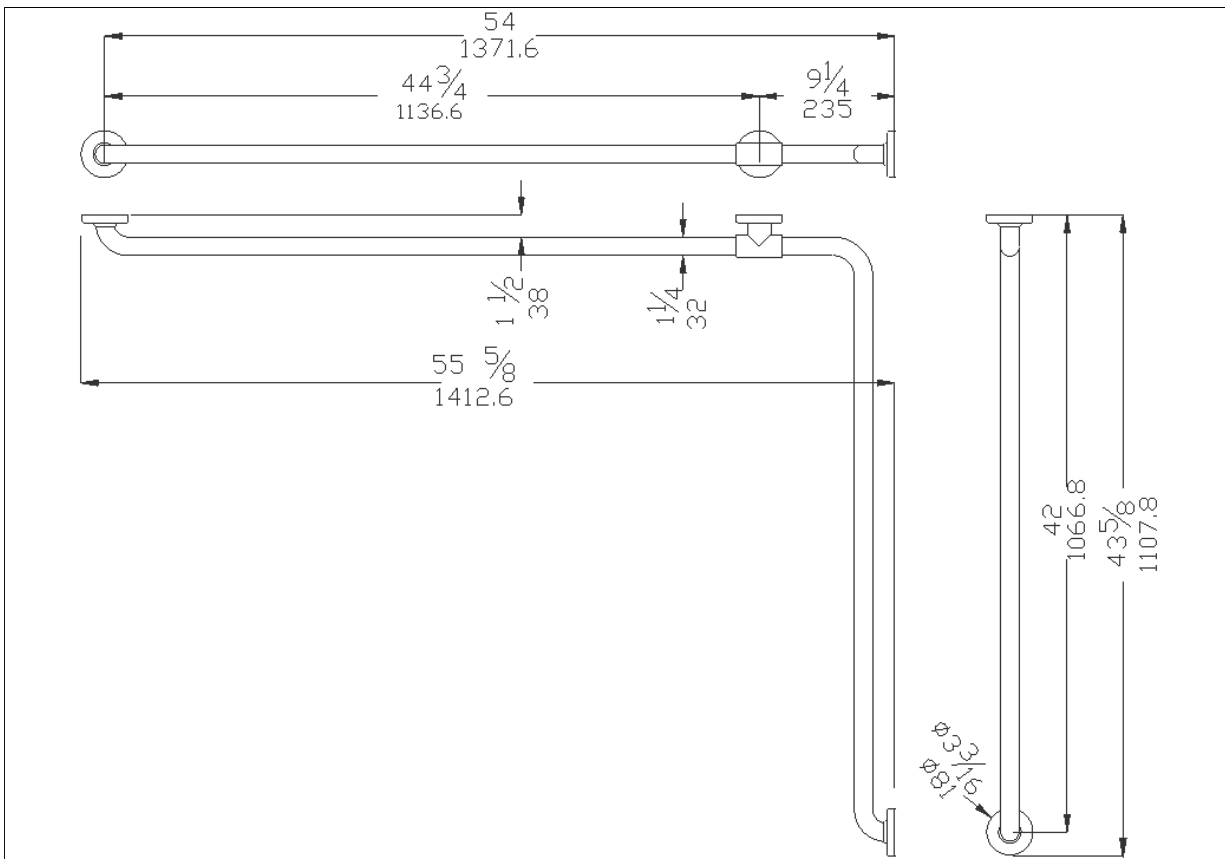


Corner Grab Bar

Technical Data



Corner safety support

Code **DSGBVC4254** *Series* **Vinyl Coated Grab Bars**



Net weight lb. Dimensions [WxDxH] In. 55 5/8x43 5/8x3 3/16

In use weight capacity *Vertical lb.* 449,74

Use and installation info

Use

Cleaning

Fasteners

Packaging information

Type of package

Dimensions [WxDxH] In. *Weight lb.*

Available Colours

WHT - WHITE

IVRY - IVORY



06/17/2020