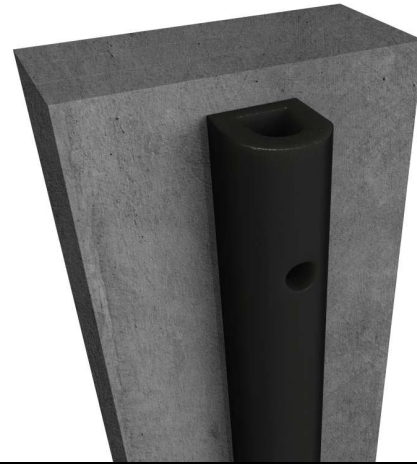


JOS-Dock075

Facility Protection
Dock Bumper



Product Guide



Exterior



Interior



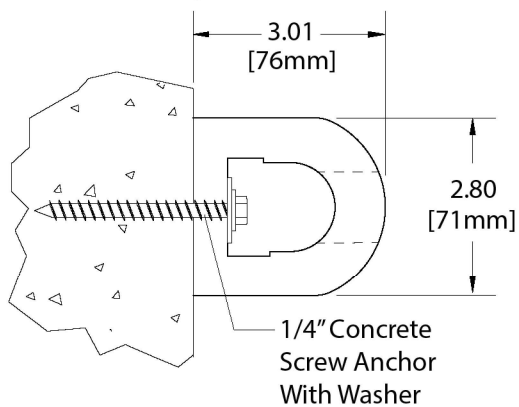
Weather
Resistant



Heavy
Impact

- Our dock guard is made of thick 3/4" [11mm] EPDM capable of withstanding the repeated crushing forces encountered at loading docks
- Standard length of 2' [.6m]
- Mounted using heavy duty fasteners
- Anchorage locations field drilled to meet project specific requirements.

JOS-Dock075 system shown



IPC.1603/REV.6

JOS-Series

Suggested Specification

Part 1 - GENERAL

1.01 SUMMARY

- A. Rubber wall guards for wall and corner protection
- B. Recycled rubber traffic calming and parking assist products

1.02 SECTION INCLUDES

- A. Heavy Duty Rubber Wall Guards
- B. Heavy Duty Rubber Corner Guards
- C. Recycled Rubber Traffic Calming Products
- D. Recycled Rubber Parking Assist Products

1.03 REFERENCES

- A. British Standard (BS)
- B. International Rubber Hardness Degree (IRHD)
- C. American Standard for Testing and Materials (ASTM)

1.04 SYSTEM DESCRIPTION

A. Performance Requirements Wall, Corner, Dock, Speed, and Parking Guards, Provide heavy duty rubber that conform to the following requirements of regulatory agencies and the quality control of Joint Master, InPro Corporation.

- 1. Durometer Hardness: Provide heavy duty rubber products with a hardness of 70A \pm 7 in accordance with ASTM D2000
- 2. Tensile: Provide heavy duty rubber products with a tensile strength in accordance with ASTM D2000
- 3. Elongation: Provide heavy duty rubber products with elongation in accordance with ASTM D2000
- 4. Compression Deformation: Provide heavy duty rubber products with a compression deformation in accordance with ASTM D395
- 5. Heat Aging: Provide heavy duty rubber products with heat aging in accordance with ASTM D573
- 6. Resistance to Ozone: Provide heavy duty rubber products with resistance to ozone in accordance with ASTM D1171
- 7. Brittleness: Provide heavy duty rubber products with brittleness in accordance with ASTM D2137

1.05 SUBMITTALS

- A. Product Data: Manufacturer's printed product data for each type of protection product specified.
- B. Detail Drawings:
- C. Samples: Verification samples of wall protection, corner guards, speed bump, parking assist in full size profiles of each type indicated.
- D. Manufacturer's Installation Instruction: Printed installation instructions for heavy duty rubber wall protection, corner protection, traffic calming, and parking assist.

1.06 DELIVERY, STORAGE AND HANDLING

- A. Deliver materials in unopened factory packaging to the jobsite
- B. Inspect materials at delivery to assure that specified products have been received.
- C. Store in original packaging in a climate controlled location away from direct sunlight.

1.07 WARRANTY

- A. Wall and Corner Protection: Standard JOINTMASTER Limited Lifetime Warranty against material and manufacturing.

B. Traffic Calming and Parking Assists: 5 years on rubber and 1 year on tape.

PART 2 - PRODUCTS

2.01 MANUFACTURER

- A. Acceptable Manufacturer/Distributor: JointMaster/InPro Corporation
S80 W18766 Apollo Drive
Muskego, WI 53150 USA;
Telephone: 800-222-5556, Fax: 888-715-8407,
Internet address: <http://www.inprocorp.com>
- B. Substitutions: Not permitted.
- C. Provide all heavy duty rubber wall guards, corner guards; and all heavy duty recycled rubber speed bumps and tire stops from a single source.

2.02 MANUFACTURED UNITS

A. Wall Guard Profile

- 1. Heavy Duty EPDM Wall Guard Model number: JOS-Wall200, 8"(203mm) height x 1-1/4"(32mm) depth
- 2. Heavy Duty EPDM Wall Guard Model number: JOS-Dock075, 3"(76mm) height x 2-13/16"(71mm) depth
- 3. Heavy Duty EPDM Corner Guard Model number: JOS-Crn075, 3"(76mm) x 3"(76mm) x 39" (1m)
- 4. Heavy Duty EPDM Corner Guard Model number: JOS-Crn090, 3-1/2"(90mm) x 3-1/2"(90mm) x 39" (1m)
- 5. Heavy Duty Recycled Rubber Parking Assist Model number: JOS-TrStp1800, 6'(1828mm) length x 6"(154mm) width x 4" (100mm) height.
JOS-TrStp500, 22"(559mm) length, 6"(154mm) width x 4" (100mm) height.
- 6. Heavy Duty Recycled Rubber Speed Bump Model number: JOS-Spd1800, 72"(1828mm) length x 12"(304mm) width x 2-1/4"(57mm) height
JOS-Spd1200, 48"(1219mm) length x 12"(304mm) width x 2-1/4"(57mm) height.
JOS-Spde230, 9"(229mm) length x 12"(304mm) width x 2-1/4"(57mm) height.

2.03 MATERIALS

- A. Heavy duty rubber wall guard shall be extruded from UV resistant and ageing resistant ethylene propylene diene monomer (EPDM).
- B. Heavy duty recycled rubber products shall be molded from 100% recycled rubber from car and truck tires (styrene butadiene/natural rubber blend) with a polyurethane prepolymer for rubber granules

2.04 FINISHES

- A. Heavy Duty Rubber Wall Guards and Corner Guards: Colors of the wall and corner guard shall be black in a uniform quality and free from foreign substances.
- B. Heavy Duty Recycled Rubber Product: Colors of the traffic calming speed bumps and parking assists shall be black in a uniform quality and free of foreign substances, if color is requested (parking assist only) color should be of uniform quality and free of foreign substances

PART 3 - EXECUTION

3.01 EXAMINATION

- A. Examine areas and conditions in which the wall protection will be installed.
- 1. Complete all finishing operations, including painting, before beginning installation of wall protection materials.
- B. Wall surface shall be dry and free from dirt, grease and loose paint.

3.02 PREPARATION

- A. General: Prior to installation, clean substrate to remove dust, debris and loose particles.

3.03 INSTALLATION

- A. General: Locate product as indicated on the approved detail drawing for the appropriate substrate, and in compliance with the JOINTMASTER installation instructions. Install product level and plumb at the location indicated on the drawings.

3.04 CLEANING

- A. At completion of the installation, clean surfaces in accordance with the JOINTMASTER clean up and maintenance instructions.

END OF SECTION