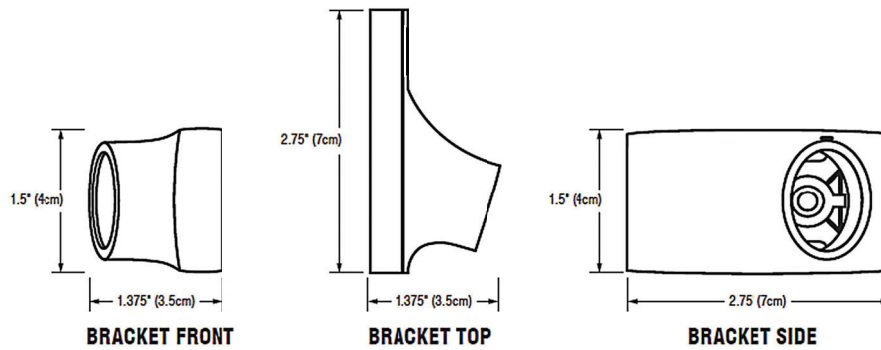
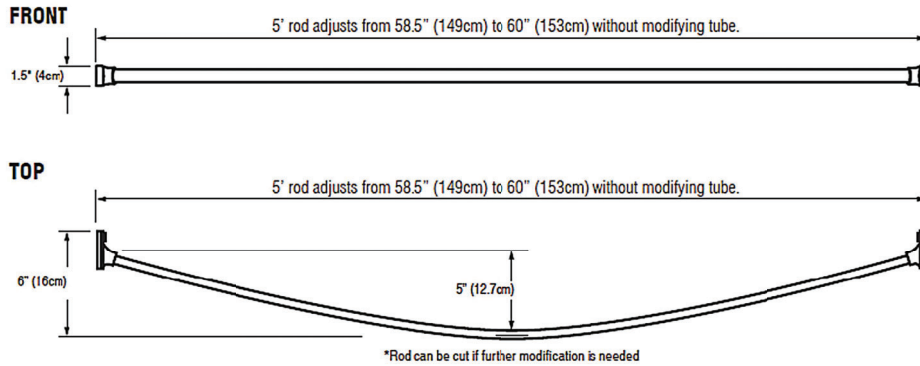


Curved Shower Rod - 5', CE100687

Specification and Installation



- NC Kit INCLUDED HARDWARE**
-  Plastic Anchor x 2
 -  Allen Wrench x 1
 -  Set Screw x 2
 -  S/S Screw for Blocking x 4

MECHANICAL DATA
Height : 1.5" (4cm)
Length: 5' rod adjusts from 58.5" (149cm) to 60" (153cm) without modifying the tube.
Projection: Rod projects 6" (16cm)
Rod Dimensions: Rod is 0.625" (1.6cm) thick, 1" (2.5cm) tall oval
PRODUCT COMPOSITION
Tubing: 22 gauge stainless steel Bracket: Polished Chrome plated zinc
MODALITY
Use: Shower wall installation
INSTALLATION
Install into adequate structural blocking

IPC.3155/REV.1