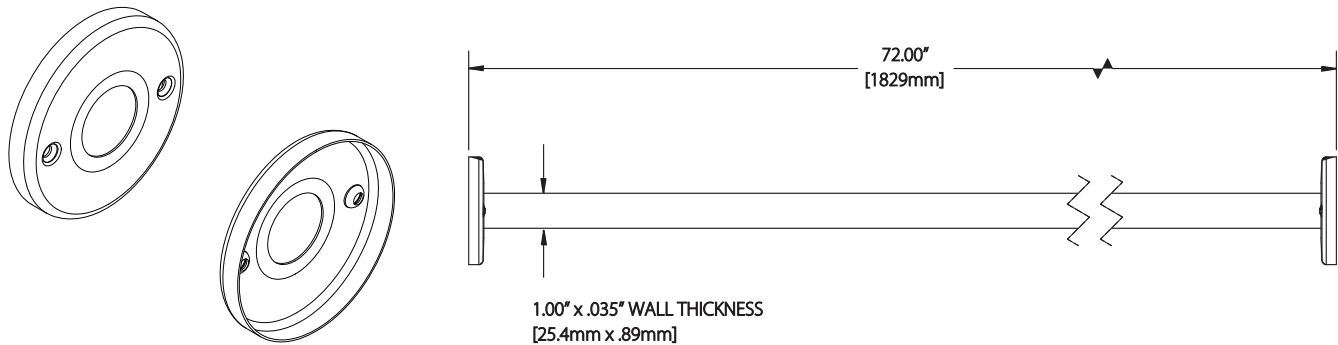
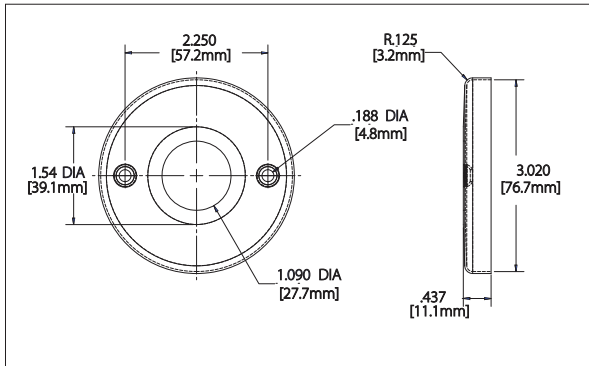


Straight Shower Rod - 72"

Technical Data & Installation Instructions



72" (1829mm) Straight Shower Rod - Model number CE100754

Light Duty 1" (25.4mm) Straight Shower Rod Construction: Type 304 Stainless Steel Tube, 1" (25.4mm) diameter x .035" (.89mm) wall thickness (20 gauge) Finish – BS, Bright Stainless

Flange - Model Number CE100753-F (2 Pack)

Flange Construction: Type 304 Stainless Steel exposed mount shower rod flange .031" (.89mm) thick. Includes two 3/16" (4.8mm) diameter mounting holes with formed countersink for #10 Oval Head Screws (by others).

Installation:

1. Use flange as template to locate the holes on both walls.
2. Drill holes in wall.
3. Fasten one flange to wall.
4. Insert on end of shower rod into fastened flange.
5. Slide the other flange onto the shower rod, position and fasten to the wall.

Caution: Flanges are only as strong as the anchoring devices and the wall on which is mounted.

IPC.1528/REV.4