

Installation Instructions

Ascend™ Elevator Protection System

IMPORTANT: If someone else (outside of your company) did field measurements, please confirm elevator cab has a wall substrate (is not a stick, stud, skeleton, nor picture frame construction cab) before tearing down existing finishes. It is the responsibility of the facility and installer to verify the cab substrate before installation.

If cab does not have a wall substrate (i.e. Wood or Steel Sheet) it is the responsibility of the installer to provide substrate to meet local codes.

Ceiling should be installed BEFORE panel installation, this will help prevent panels from getting damaged by ceiling install.

Please read all instructions before installing panels.

Material must be stored, installed and used in environmentally controlled conditions.

Inspect all components before install.

If cab has rounded corners / or a raised cove that is to stay, reference installation figures sections calling out specific conditions

This installation guide has section numbers at the top of each page aligned to the installation process.

1. Corner trim and Toe Kick installation

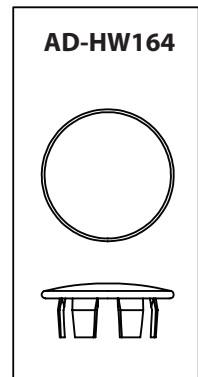
3. Frieze/Top Cap installation

2/2a. Panel Layout Guide / Installation

4. Handrail installation

Recommended Tools

- | | | |
|---|-----------------------------|---------------------------------|
| • Tin Snips | • Power Drill | • Extended Phillips Head Driver |
| • 4" Hand Held Grinder (with cut-off wheel) | • 1/2" Drill Bit | • Felt Tipped Marker |
| • Metal Finishing File | • 3/16" Drill Bit | • Denatured Alcohol |
| • Tape Measure | • 1/8" Carbide Drill Bit | • Clean rags |
| • 3ft. Level | • Non-Marking Rubber Mallet | |
| | • Pry Bars | |



Fasteners

Panel Clips /Frieze:

AD-HW118: #8 x 3/4 PH Truss HD Tapping (Wood Walls)

AD-HW120: #8 x 3/4 RD Washer HD (Metal Walls)

Toe Kicks / Reveal Retainer:

AD-HW117: #8 x 3/4 PH Flat Undercut (Wood Walls)

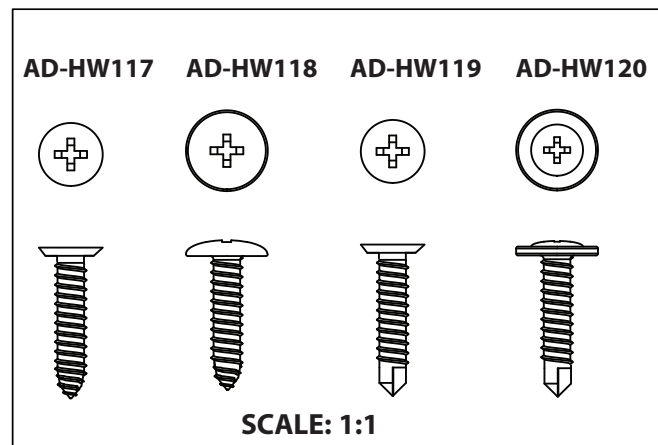
AD-HW119: #8 x 3/4 PH Flat Undercut (Metal Walls)

Other Hardware/Tools

Frieze

AD-HW146: 11/16" x 9/32" Nickel-Plated Steel Plug

ADDDB-02: 1/8" Carbide Drill Bit w/ Titanium Coating



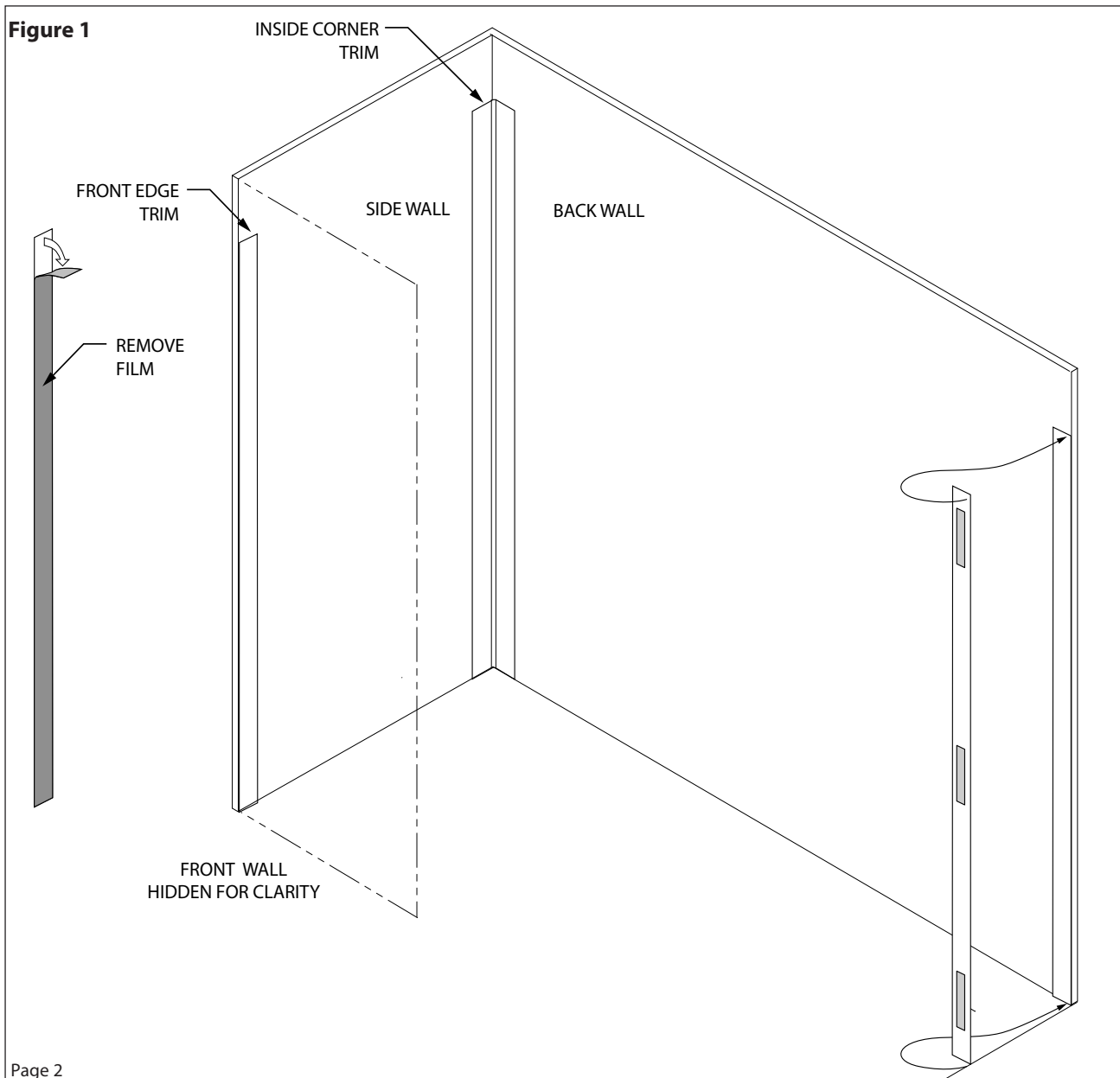
1

Installation Instructions Edge Reveal & Toe Kick Installation

INSTALL CORNER REVEALS

1. Locate edge & inside corner reveals. Remove the protective coating from the front face of the reveal.
2. Remove backing from adhesive strips on the back of the reveal pieces. Install reveals flush to the edge / corner pressing with firm pressure.
Tip: Position the bottom edge of the reveals and tilt into place, keeping piece tight to corner conditions.

NOTE: If cab has rounded corners, reference Figure 1.1 on next page.



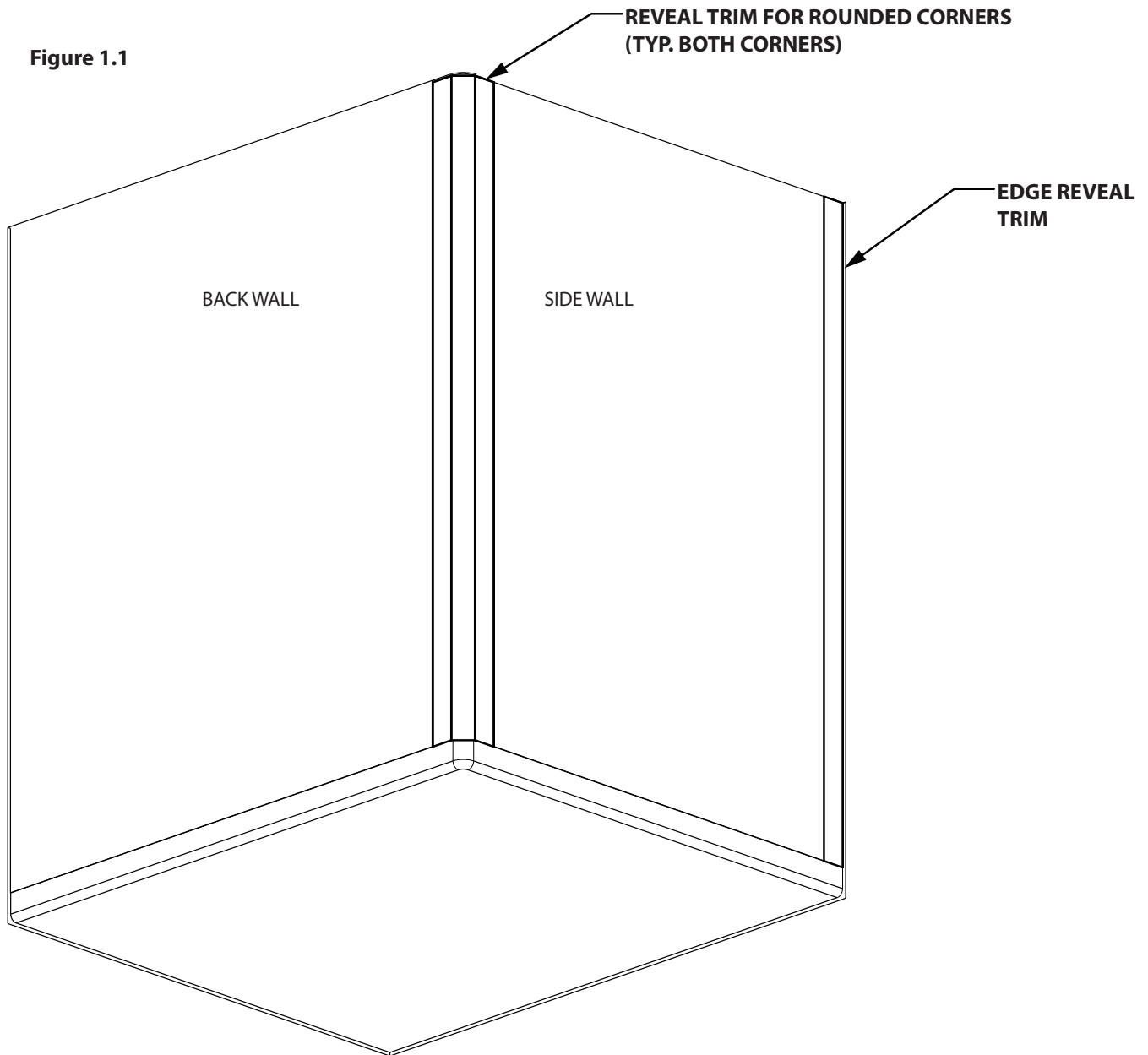
1

Installation Instructions Edge Reveal Installation For Radius Corners

REVEAL INSTALLATION WITH RADIUS COVE BASE

1. Locate edge & inside corner reveals; measure top of cove to top of cab and cut to length. Remove the protective coating from the front face of the reveal.
2. Remove backing from adhesive strips on the back of the reveal pieces. Install reveals flush to the edge / corner pressing with firm pressure.
Tip: Position the bottom edge of the reveals on top of cove base and tilt into place, keeping piece tight to corner conditions. (See figure 26)

Figure 1.1



1

Installation Instructions Edge Reveal & Toe Kick Installation

INSTALL TOE KICK

Measure the width of the wall where you would like to begin installation. Mark the center line of the wall .

1. Remove protective film from the toe kick and position it flush against the wall as shown below. Ensure the V shaped notch is located on the center line of the wall. Check to see if toe kick is level. Attach using AD-HW117/119 screws
2. If bottom lip of toe kick extends outward from the wall, remove toe kick, and lay against the wall with bottom edge flush to wall. Mark the front edge of the C brackets from the back of the toe kick on the wall, install Z-clip so the recess is flush with marked line. Re position toe kick on wall and slide to engage the c-channels onto the Z-clip.

NOTE: If cab has a formed cove or protruding ledge reference Figure 2.1 on next page. A toe kick is not used in these conditions.

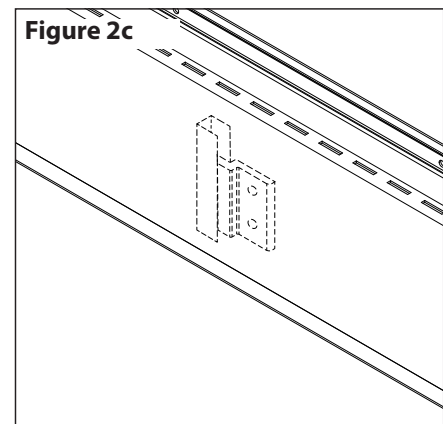
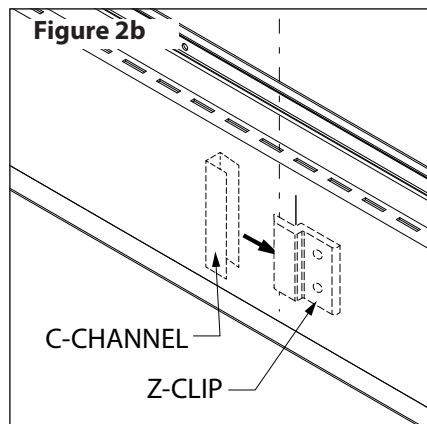
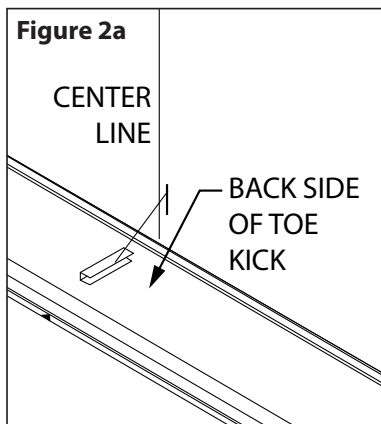
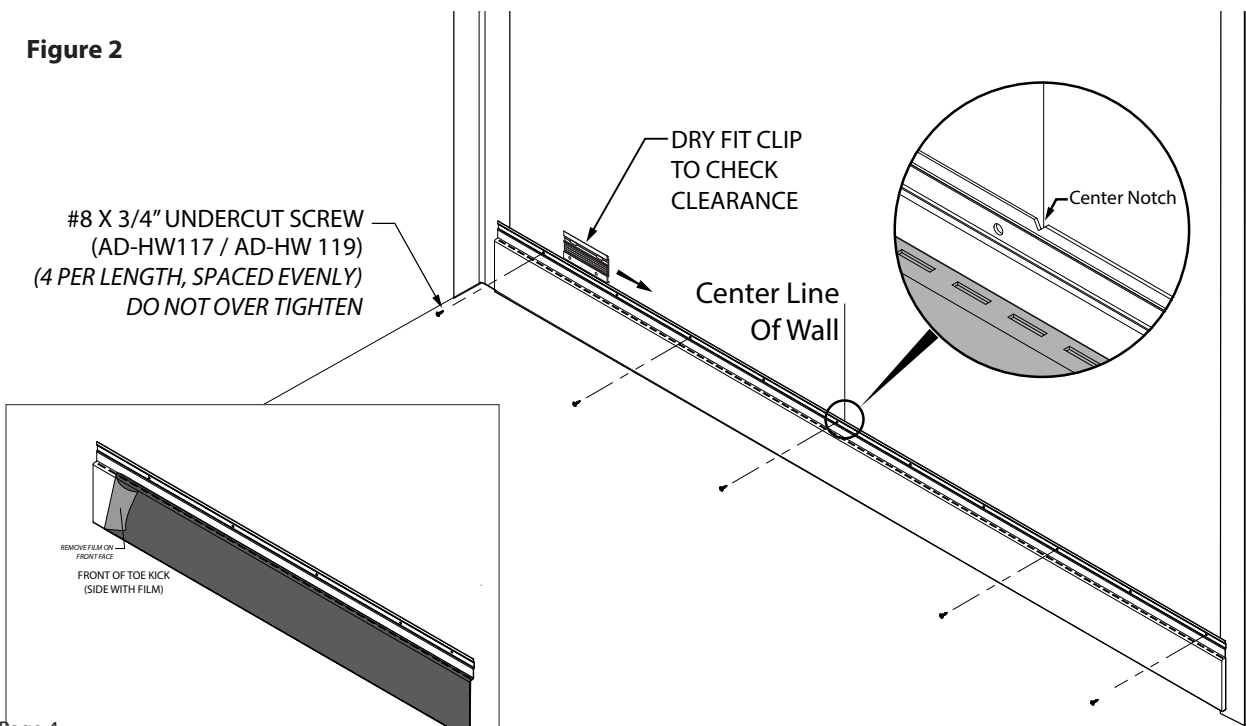


Figure 2



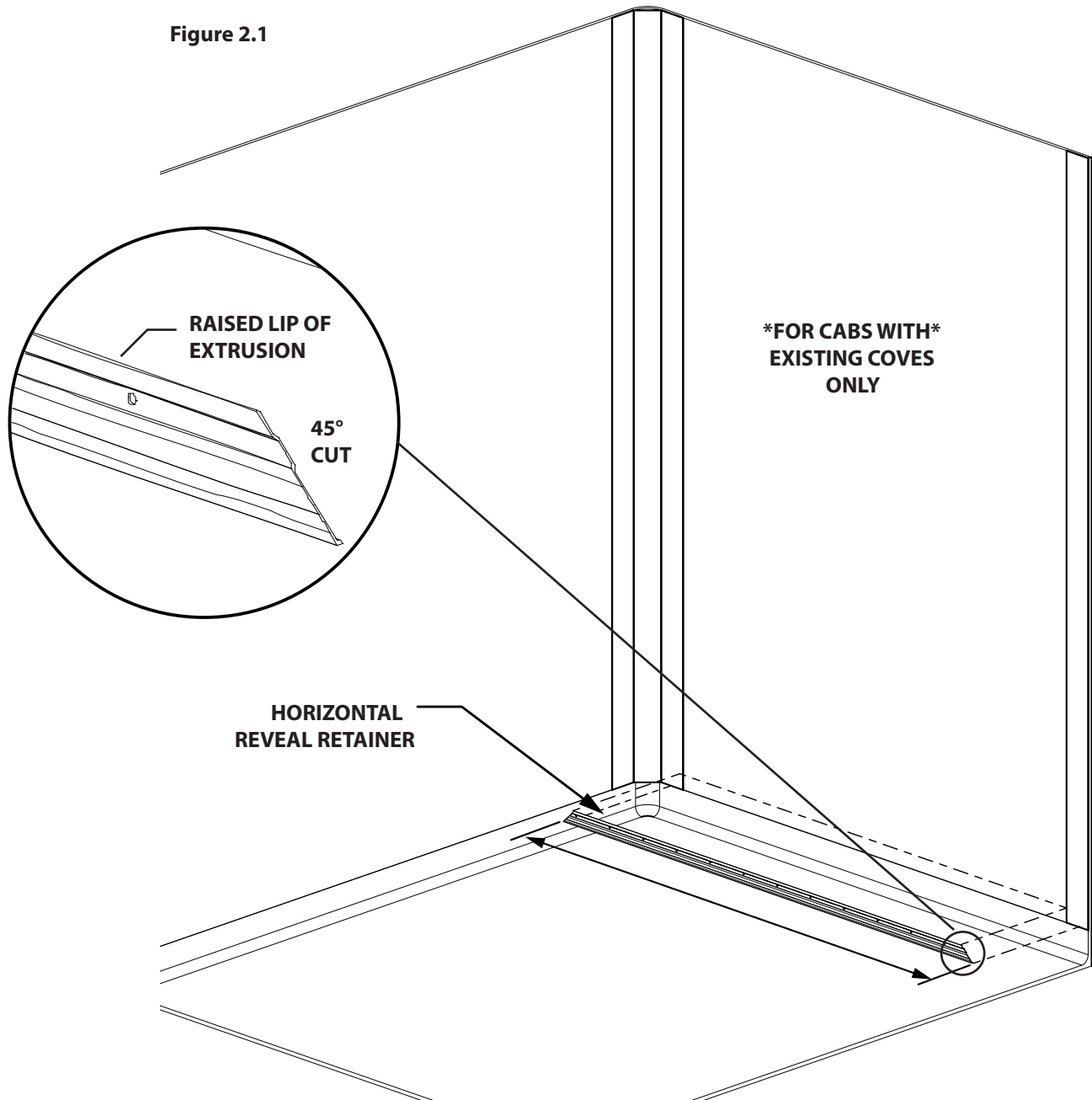
1

Installation Instructions Reveal Retainer Installation For Existing Coved Toe Kicks

BOTTOM PANEL RETAINER INSTALLATION OVER COVE

1. Measure width the flat width of wall and subtract 3 1/2" from measurement to find the total length of the reveal retainer.
2. Cut reveal retained to length. Cut 45 degree angle (see inset image).
3. Install retainer on top of radius cove base. (See figure 27) Attach to wall using AD-HW117/119 screws

Figure 2.1



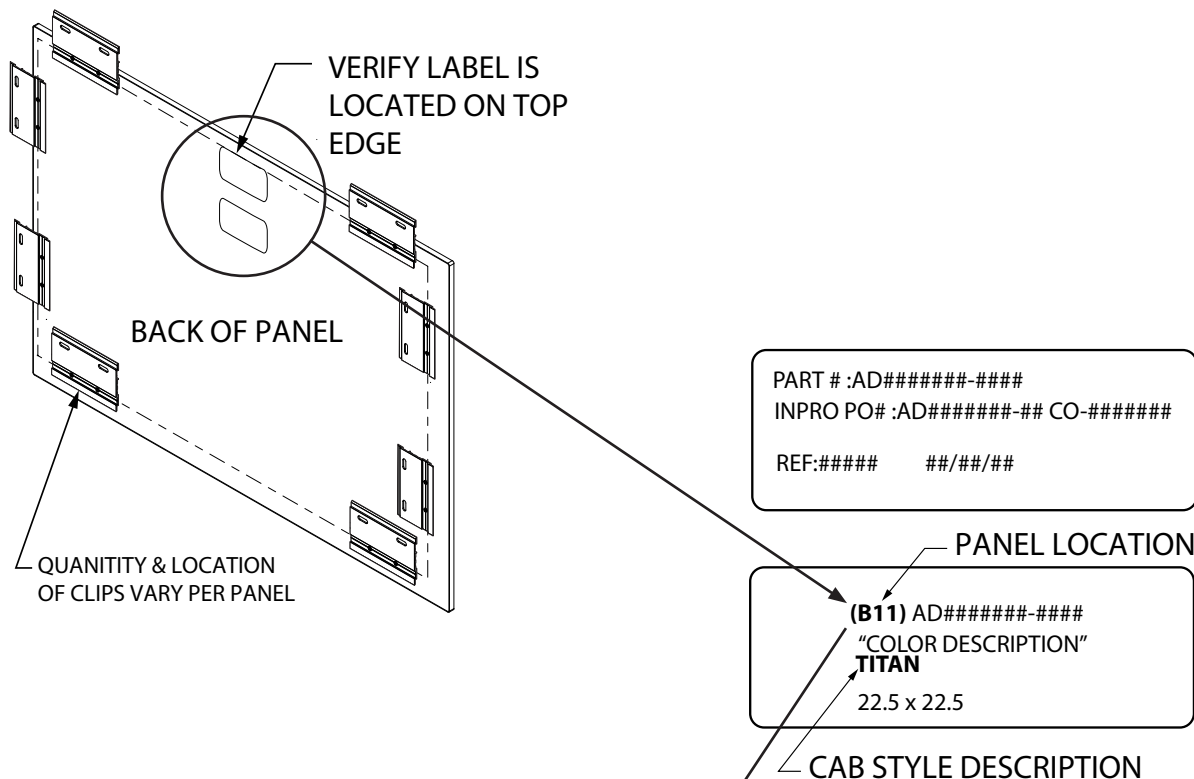
2a Installation Instructions

Style Layout Guide

Before beginning panel installation, Un-crate panels for each cab. If possible lay out on a protected surface. Each panel comes with a panel label what provides its installation location.

CLIP LOCATION GUIDE

1. Verify the panel labels are correctly located at top edge of all panels.



Titan			Titan			Titan		
Left Wall			Back Wall			Right Wall		
L21 A	L22 B	L23 C	B21 A	B22 B	B23 C	R21 A	R22 B	R23 C
10"			10"			10"		
L11 A1	L12 B1	L13 C1	B11 A1	B12 B1	B13 C1	R11 A1	R12 B1	R13 C1

2_a

Installation Instructions Style Layout Guide

STYLE LAYOUT GUIDE

Mercury	Left Wall	Back Wall	Right Wall
	L41 D	B41 D	R41 D
	L31 D	B31 D	R31 D
	L21 D	B21 D	R21 D
	L11 D	B11 D	R11 D

Corvus	Left Wall	Back Wall	Right Wall
	L31 A	B31 A	R31 A
	L32 B	B32 B	R32 B
	L33 C	B33 C	R33 C
	L21 A	B21 A	R21 A
	L22 B	B22 B	R22 B
	L23 C	B23 C	R23 C
	L11 A	B11 A	R11 A
	L12 B	B12 B	R12 B
	L13 C	B13 C	R13 C

CLIP LAYOUT REFERENCE

This panel uses the clip layout shown on panel "C"

Zenith	Left Wall	Back Wall	Right Wall
	L11 A	B11 A	R11 A
	L12 B	B12 B	R12 B
	L13 C	B13 C	R13 C

Orion	Left Wall	Back Wall	Right Wall
	L21 A	B21 A	R21 A
	L22 B	B22 B	R22 B
	L23 C	B23 C	R23 C
	L11 D	B11 D	R11 D

2_a

Installation Instructions Style Layout Guide

STYLE LAYOUT GUIDE

Columba	Left Wall	Back Wall	Right Wall
	L41 D	B41 D	R41 D
	L31 D	B31 D	R31 D
	L21 D	B21 D	R21 D
	L11 D	B11 D	R11 D

Hercules	Left Wall	Back Wall	Right Wall
	L31 D	B31 D	R31 D
	L21 D	B21 D	R21 D
Handrail Panel	10"	10"	10"
	L11 D1	B11 D1	R11 D1

Titan	Left Wall	Back Wall	Right Wall
	L21 A	B21 A	R21 A
	L22 B	B22 B	R22 B
	L23 C	B23 C	R23 C
Handrail Panel	10"	10"	10"
	L11 A1	B11 A1	R11 A1
	L12 B1	B12 B1	R12 B1
	L13 C1	B13 C1	R13 C1

Vela	Left Wall	Back Wall	Right Wall
	L21 A	B21 A	R21 A
	L22 B	B22 B	R22 B
	L23 C	B23 C	R23 C
Handrail Panel	10"	10"	10"
	L11 D1	B11 D1	R11 D1

2_a

Installation Instructions

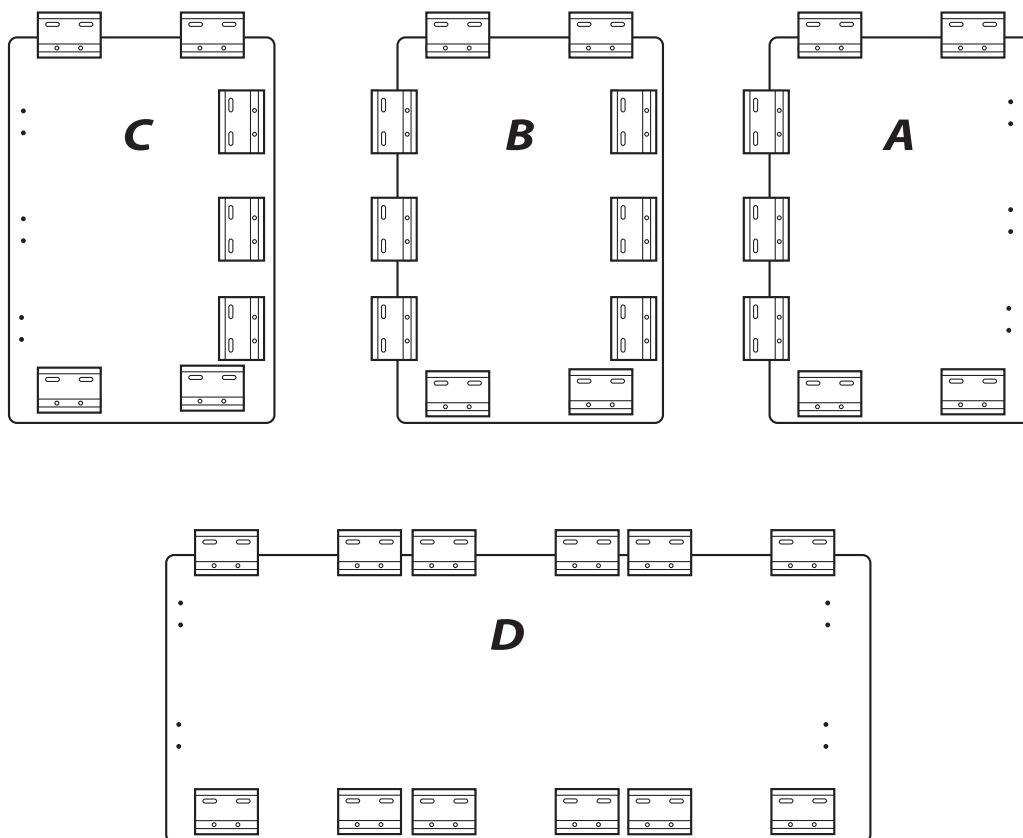
Style Layout Guide

STYLE LAYOUT GUIDE

Apollo	Left Wall		Back Wall		Right Wall	
	L41 A	L12 C	B11 A	B42 C	R41 A	R12 C
	L31 A			B32 C	R31 A	
	L21 A			B22 C	R21 A	
	L11 A			B12 C	R11 A	

CLIP LAYOUT REFERENCE GUIDE

Showing the back side of the panels (clip quantity may vary)



2

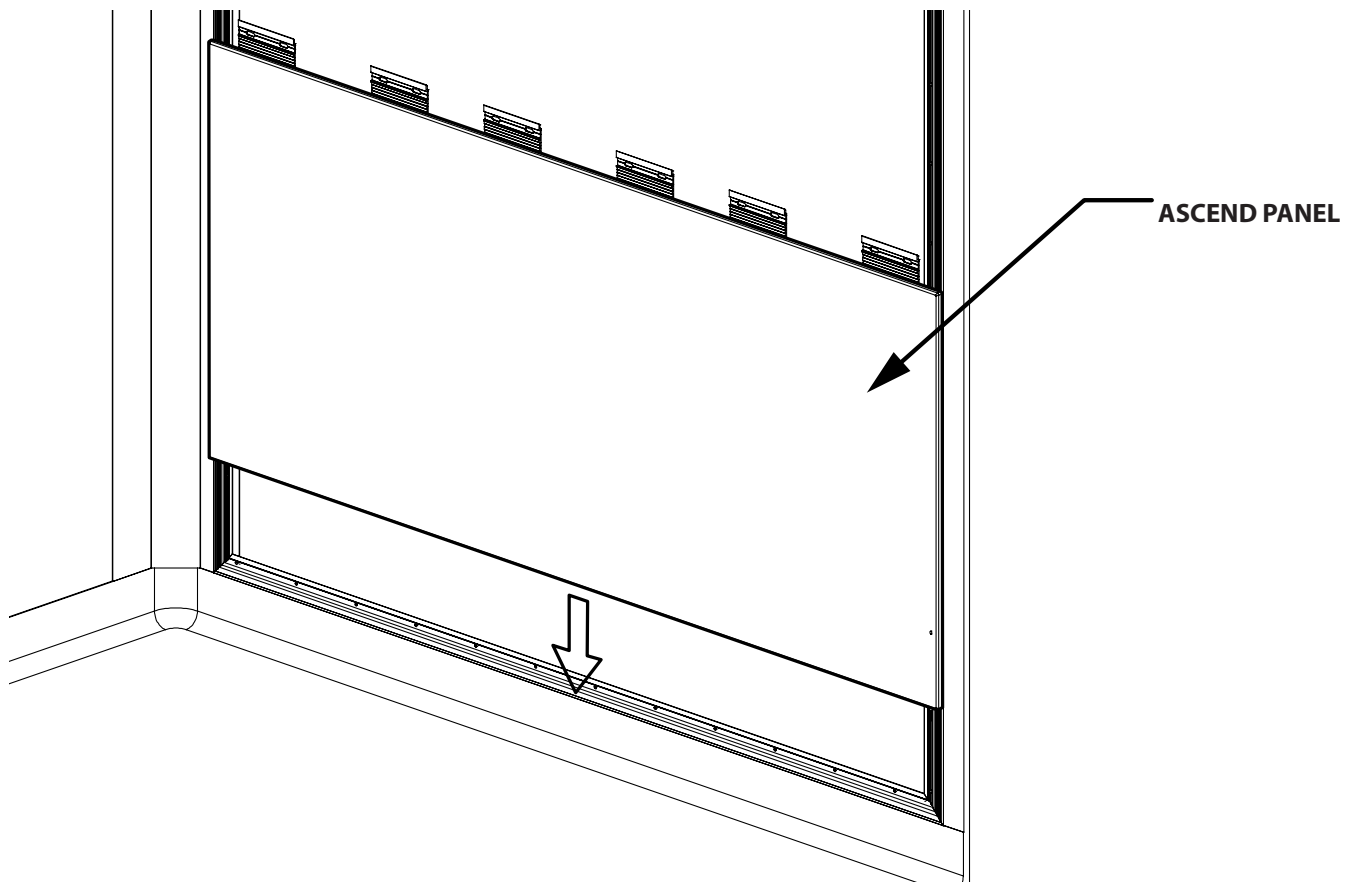
Installation Instructions Panel Installation on a Reveal Retainer

PANEL INSTALLATION: *Reference Figures 3-12 for full panel installation instructions*

1. Place panel flat against the wall, slide panel down until the bottom clips on panel lock into the top lip of the horizontal reveal retainer.
2. Position panel so its edge is flush with edge of horizontal reveal retainer (Reference Figure 29)
3. Fasten the panel to the wall using supplied AD-HW118/120 screws through the S-clips on the top and right side of the panel with a minimum one screw per clip.
4. Continue installation per instructions. (Reference Figure 7-12)

Note: *See next page for panel installation onto to a toe kick.*

Figure 3.1

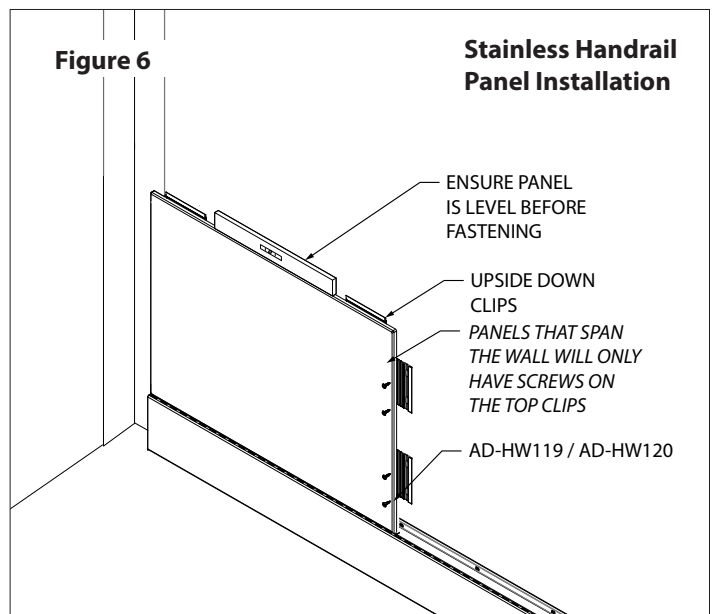
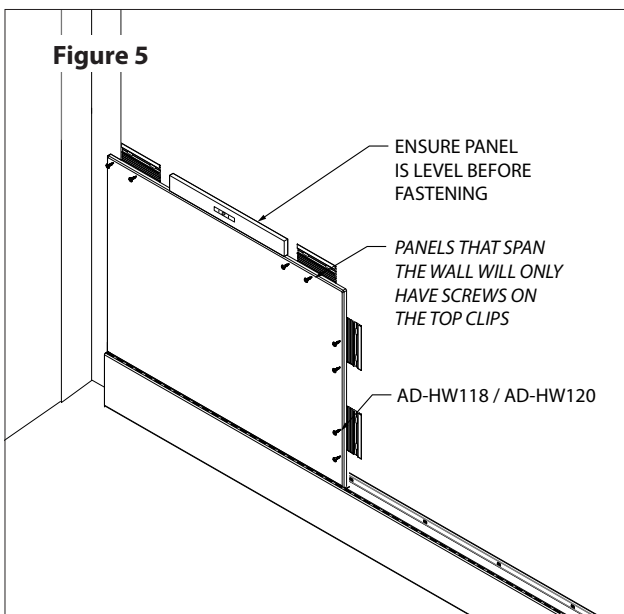
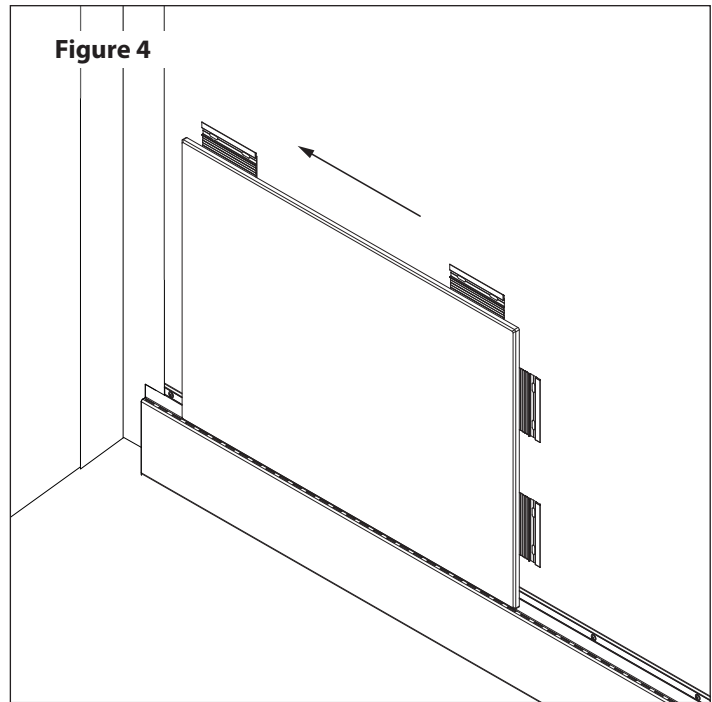
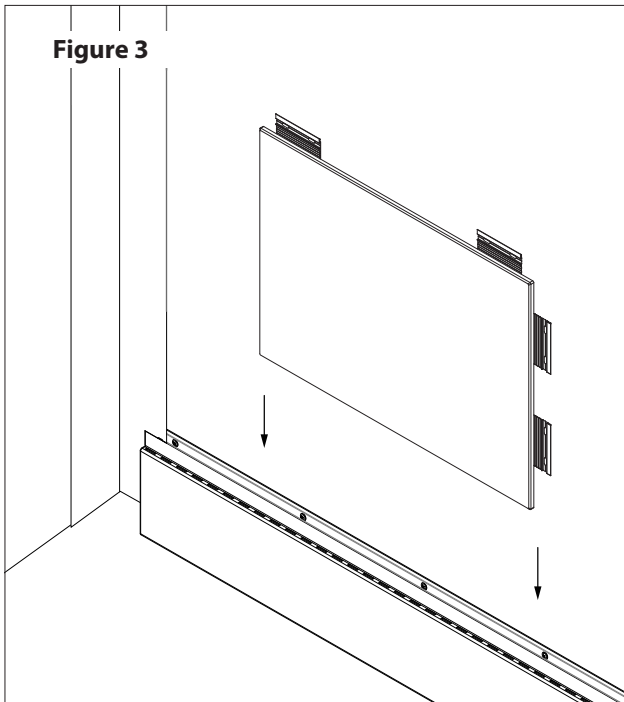


2

Installation Instructions Wall Panel and Reveal Installation

INSTALL PANELS - Reference style guide and panel clip layout guide

1. Start panel installation from left to right. Place panel flat against the wall, slide panel down until the bottom clip lock into the toe kick flange.
2. Position panel so its edge is flush with edge of toe kick (see figure 5/6)
3. Fasten the panel to the wall using supplied AD-HW118/120 screws through the S-clips on the top and right side of the panel with a minimum one screw per clip

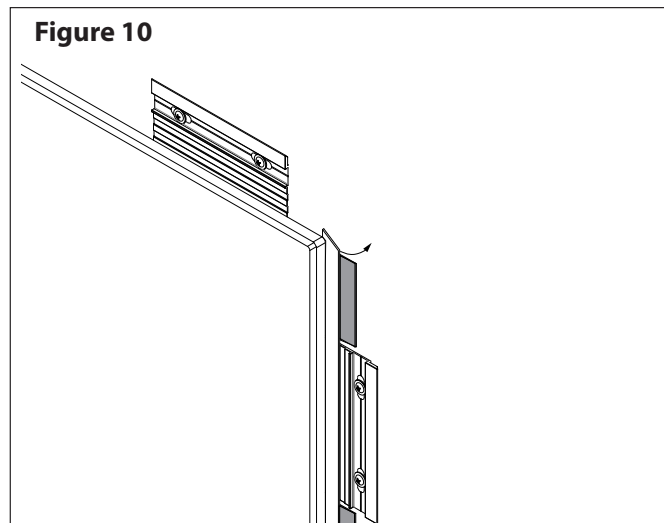
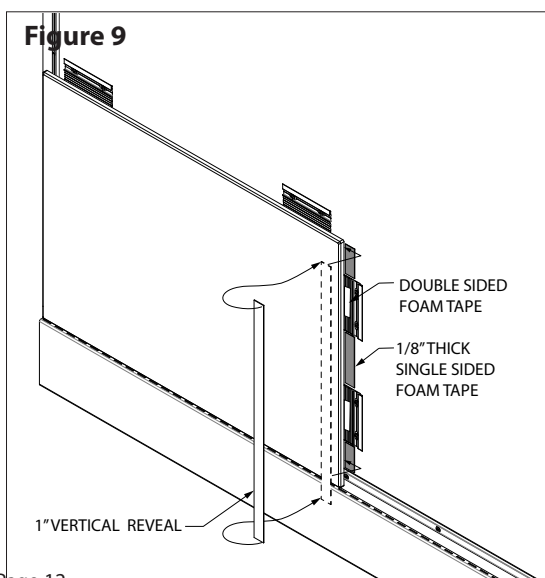
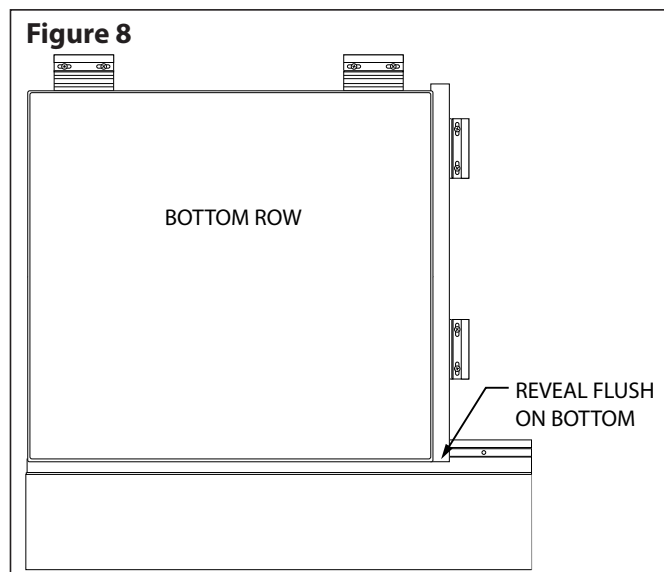
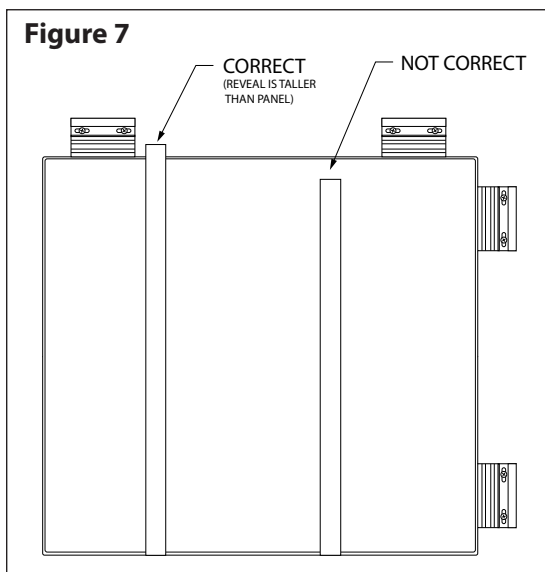


2

Installation Instructions Wall Panel and Reveal Installation

INSTALL VERTICAL REVEAL

1. After panel is installed on the wall, find the correct length vertical reveal. Remove the protective film from the reveal (see figure 7)
NOTE: Reveals run slightly longer, this will allow the vertical reveals to tuck under the horizontal reveals. For the first row of panels, bottom edge of the reveal should be visually flush to the bottom edge of the panel. (See figure 8)
2. Place single sided foam tape (large roll of black tape) so it spans the gap in each clip. (See figure 9)
3. Apply double sided foam tape to grooved recess in panel clips and install reveal. Tuck left edge of reveal behind panel and pivot into position. Continue install with next panel. (See figure 10)
4. If the cab style includes a hand rail panel, skip to page titled "HANDRAIL INSTALLATION -ON HANDRAIL PANEL" in section 4 after the first row of panels is installed. *Corresponding Styles: Hercules, Titan, & Vela*



2

Installation Instructions Wall Panel and Reveal Installation

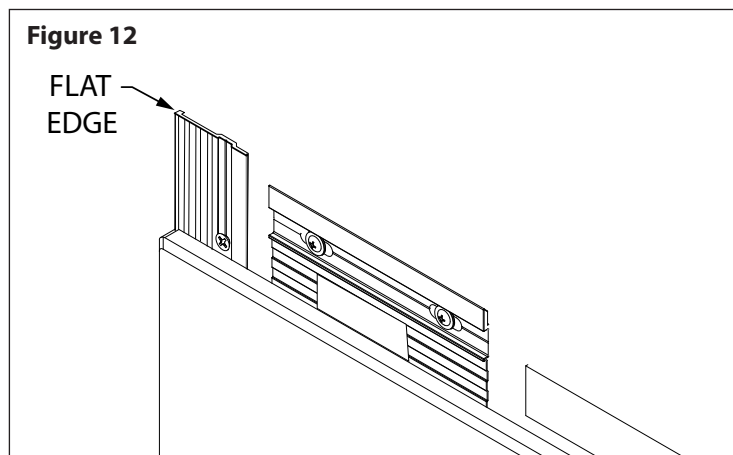
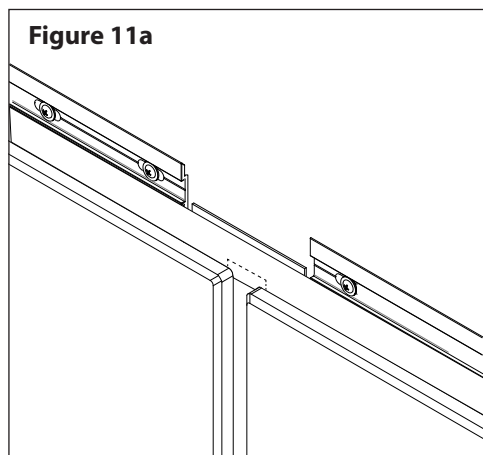
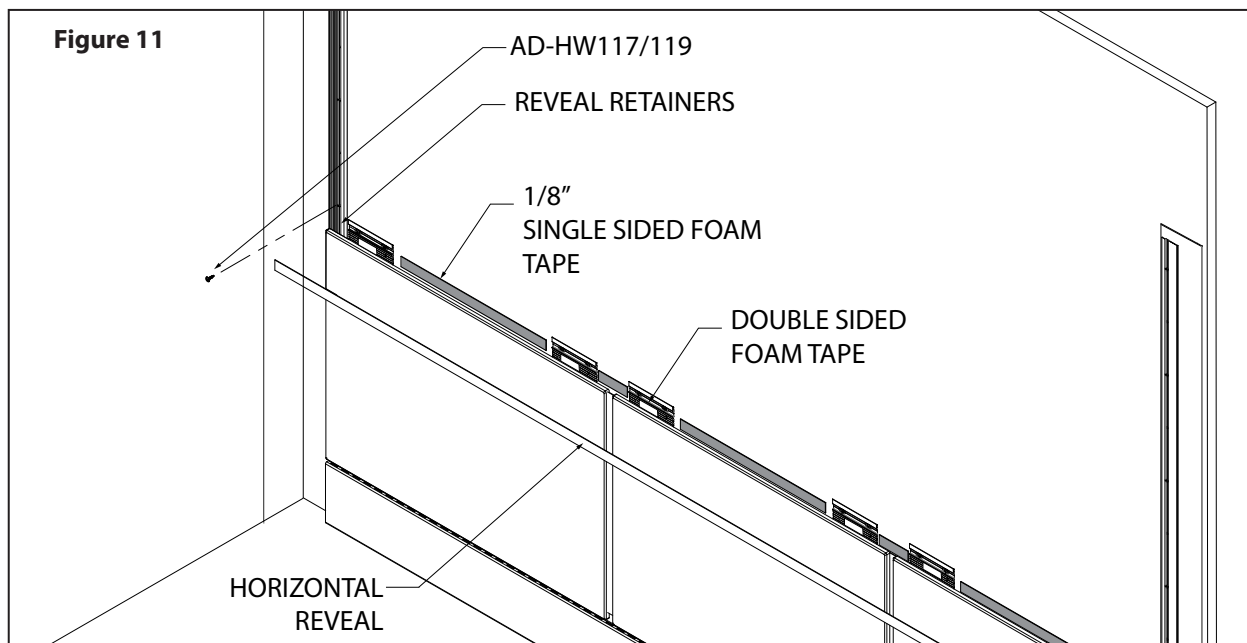
INSTALL HORIZONTAL REVEAL & EDGE TRIM

1. After the first row of panels are installed , slide one reveal retainer behind each end of the installed row. Ensure the flat edge is flush with the edge of the panels. Attach to wall using AD-HW118/120 screws (see figure 12) Secure retainer after each row to ensure the retainer stays flush with edge of the panels.
2. Place single sided foam tape (large roll of black tape) so it spans the gap in each clip. Apply double sided tape to the panel clips. Install horizontal reveal. (NOTE: Horizontal reveal will be the same length as the entire row of panels edge to edge) Attach to wall using AD-HW117/119 screws

NOTE: Make sure to tuck vertical reveals under the horizontal reveals.

NOTE: If cab has a stainless handrail panel see page 19, Figure 20-24.

NOTE: If cab has a formed cove or protruding ledge install a horizontal reveal on bottom retainer, after first row is installed. Reference Figure 11b on next page. .



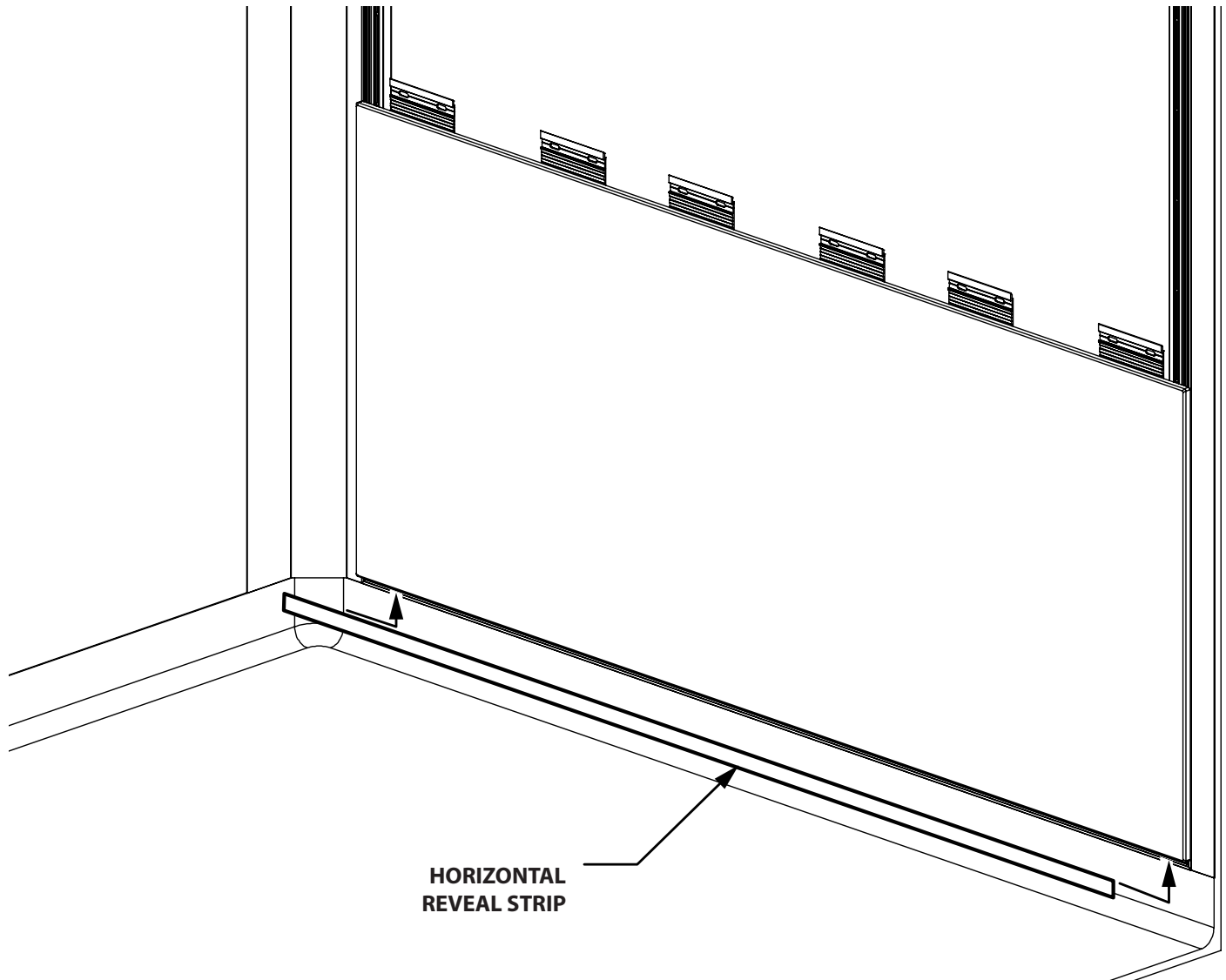
2

Installation Instructions Horizontal Reveal Installation On Bottom Retainer

INSTALLING HORIZONTAL REVEALS

1. After the first row of panels are installed apply double sided tape to bottom retainer and insert a reveal strip over bottom retainer. Install reveal in same manner as shown in figures 9&10.

Figure 11b



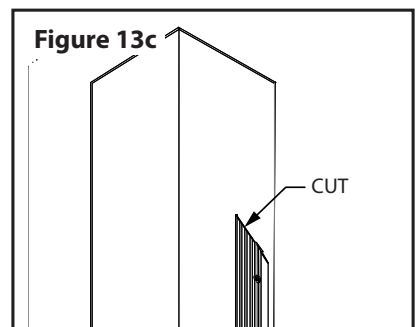
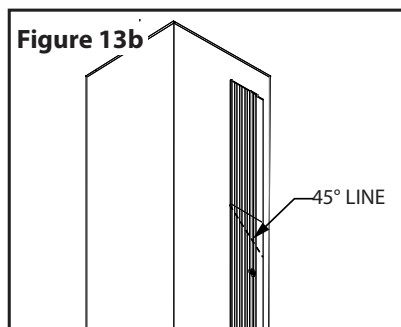
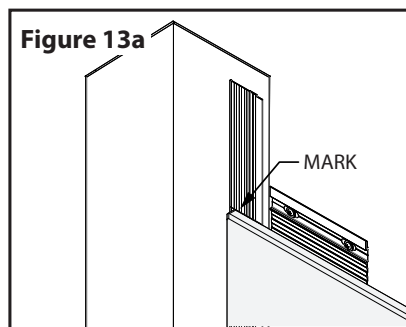
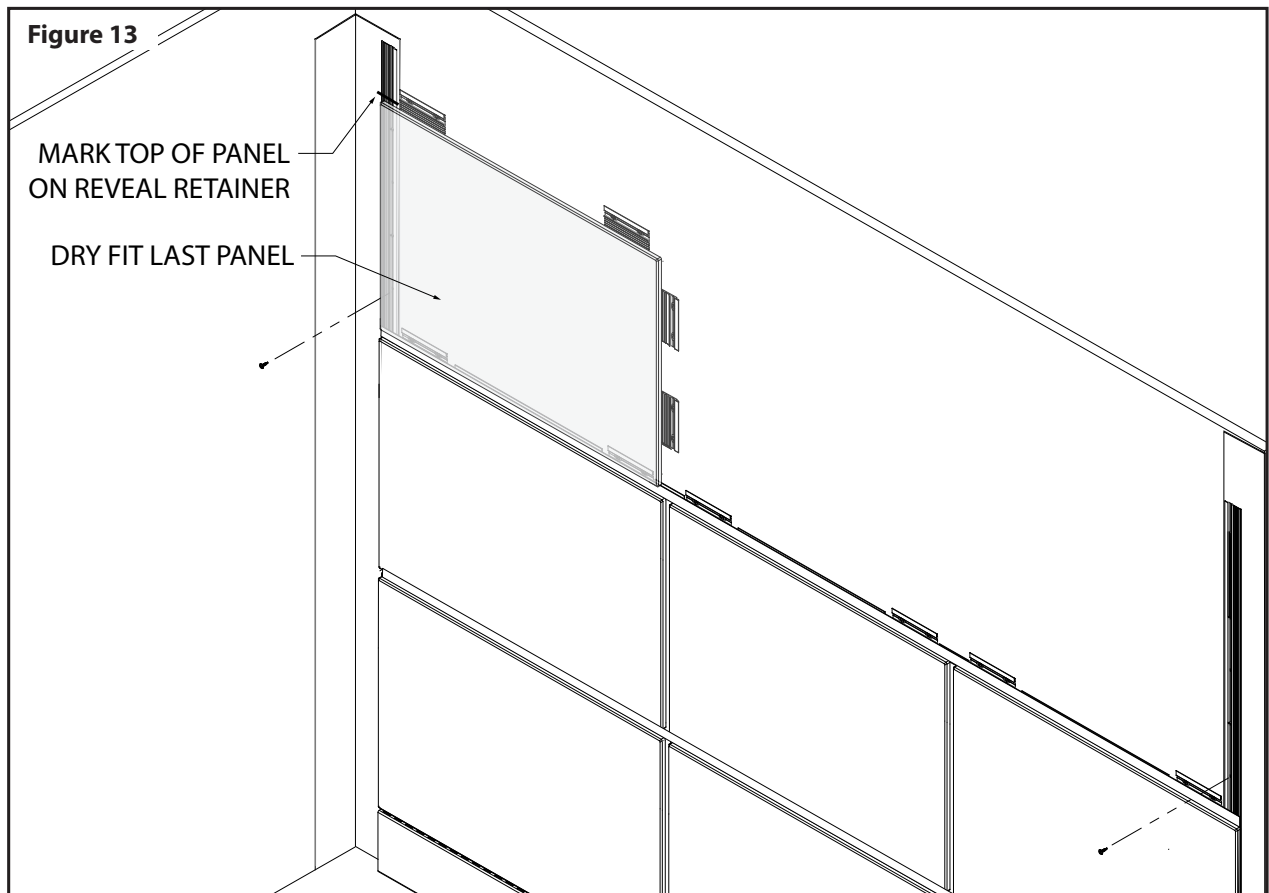
2

Installation Instructions Wall Panel and Reveal Installation

INSTALL SECOND ROW-

1. After the horizontal reveal is installed on the first row continue to next row repeating wall panel and reveal process. Securing the reveal retainer after each row ensuring it is flush with the edge of the panel.
2. Before installing final row of panels, dry fit the top panels, and mark the top edge on the reveal retainers. (Figure 13a) Remove panel and mark a line downward at a 45° angle (see figure 13b). Cut the reveal retainer on the angled line (see figure 13c)

NOTE: Angled cut allows frieze to seat down into position.

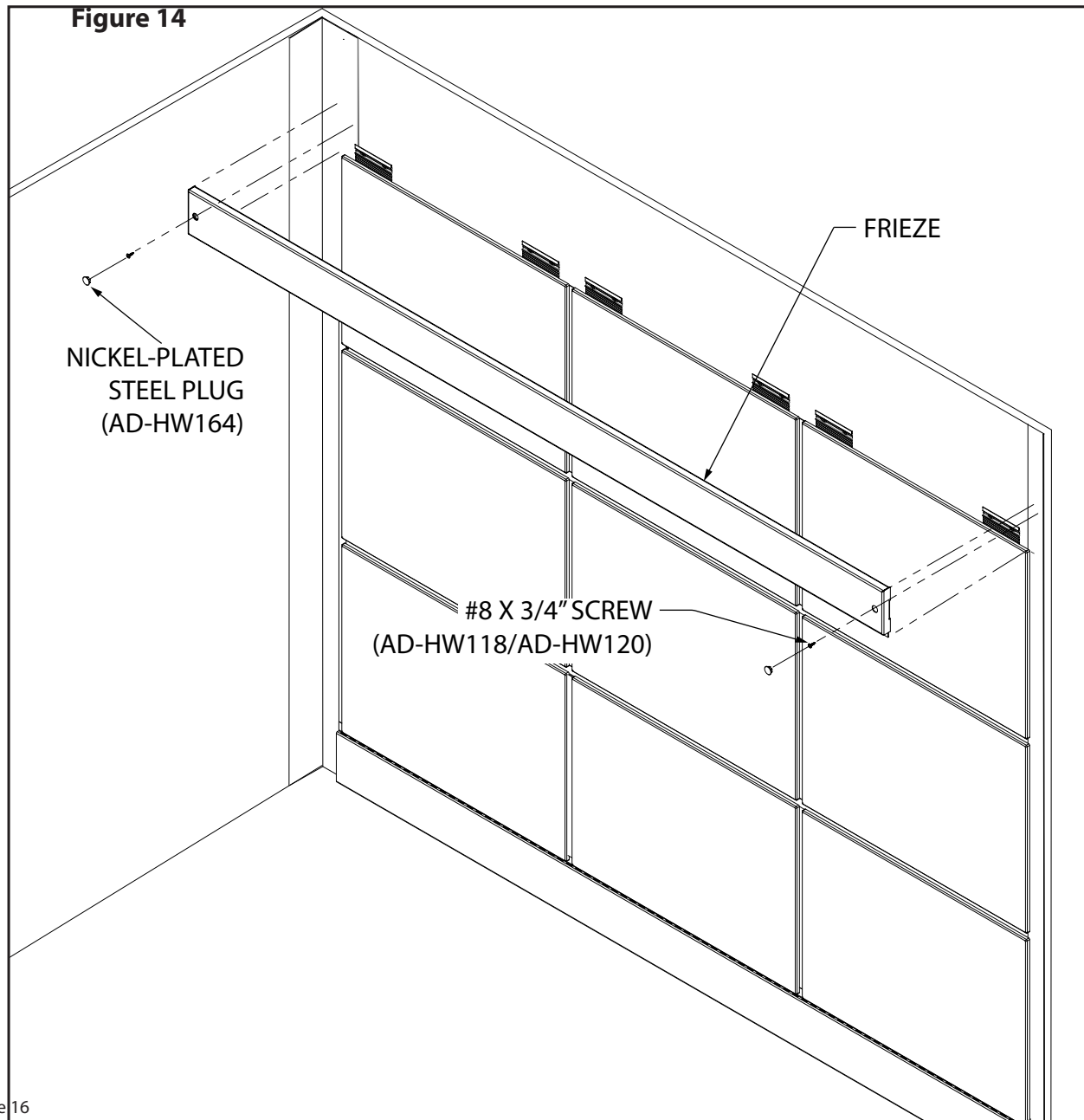


3

Installation Instructions Frieze Install

FRIEZE INSTALLATION -

1. After all panels have been installed, install the frieze by inserting the short lip into the clips, then pivot the frieze into position.
2. Mark and pre-drill anchoring holes with a 1/8" Carbide drill bit and secure using AD-HW118/120 screws. (SEE fig. 14a)
NOTE: You will have to drill through stainless steel reveal trim.
NOTE: It is recommended to use an extended philips bit for easier screw installation.
3. After screws have been installed, snap in nickel-plated plug over holes at each ends of the frieze.
NOTE: Plug should sit snug in hole, if extra force is needed to install carefully use a rubber mallet.



Page 16

3

Installation Instructions Frieze Install

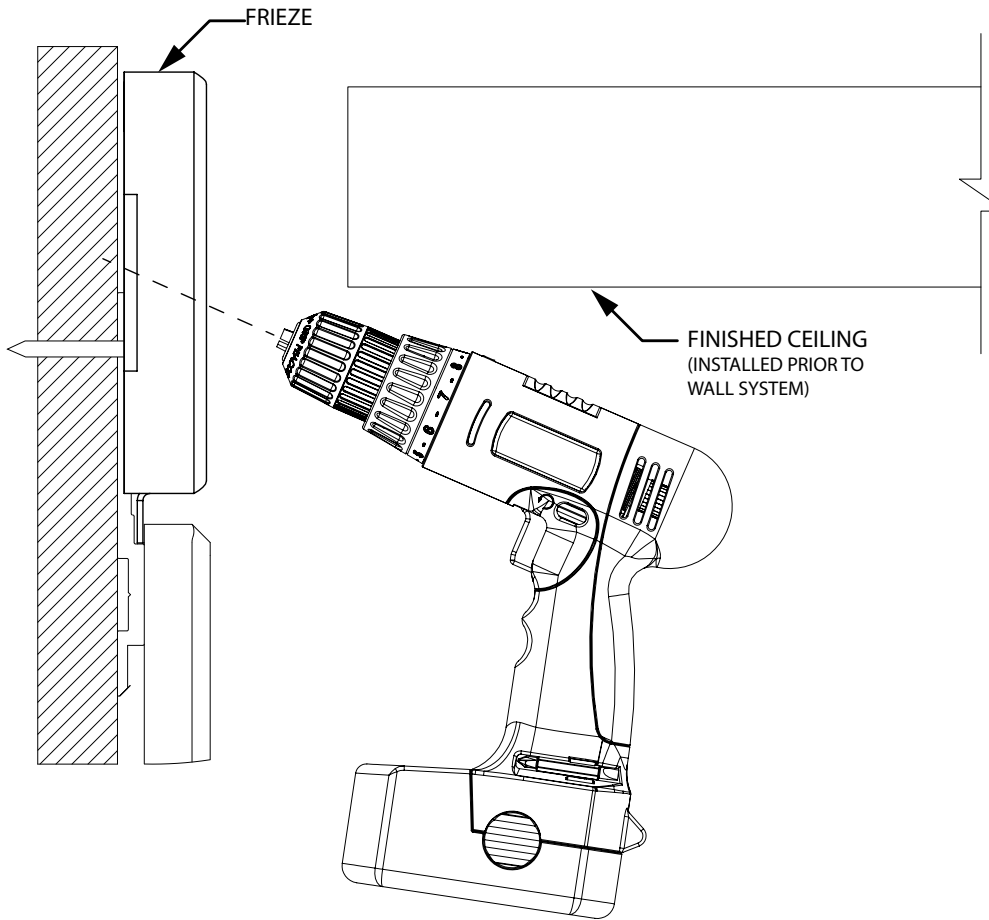


Figure 14a

NOTE: Ceiling should be installed prior to wall system. Installation of frieze might be done at an angle such as figure 14a. Careful as to not scratch surface of installed ceiling.

NOTE: When removing nickel-plated plug use a plastic putty knife to get under plug and twist the plastic putty knife to pop out plug. A flat head screw driver may be used, but might cause scratches.

NOTE: If cab has a formed cove or protruding ledge at the top of the cab. Or if a frieze has not been supplied reference Figure 14.1 on next page for clip cover installation.

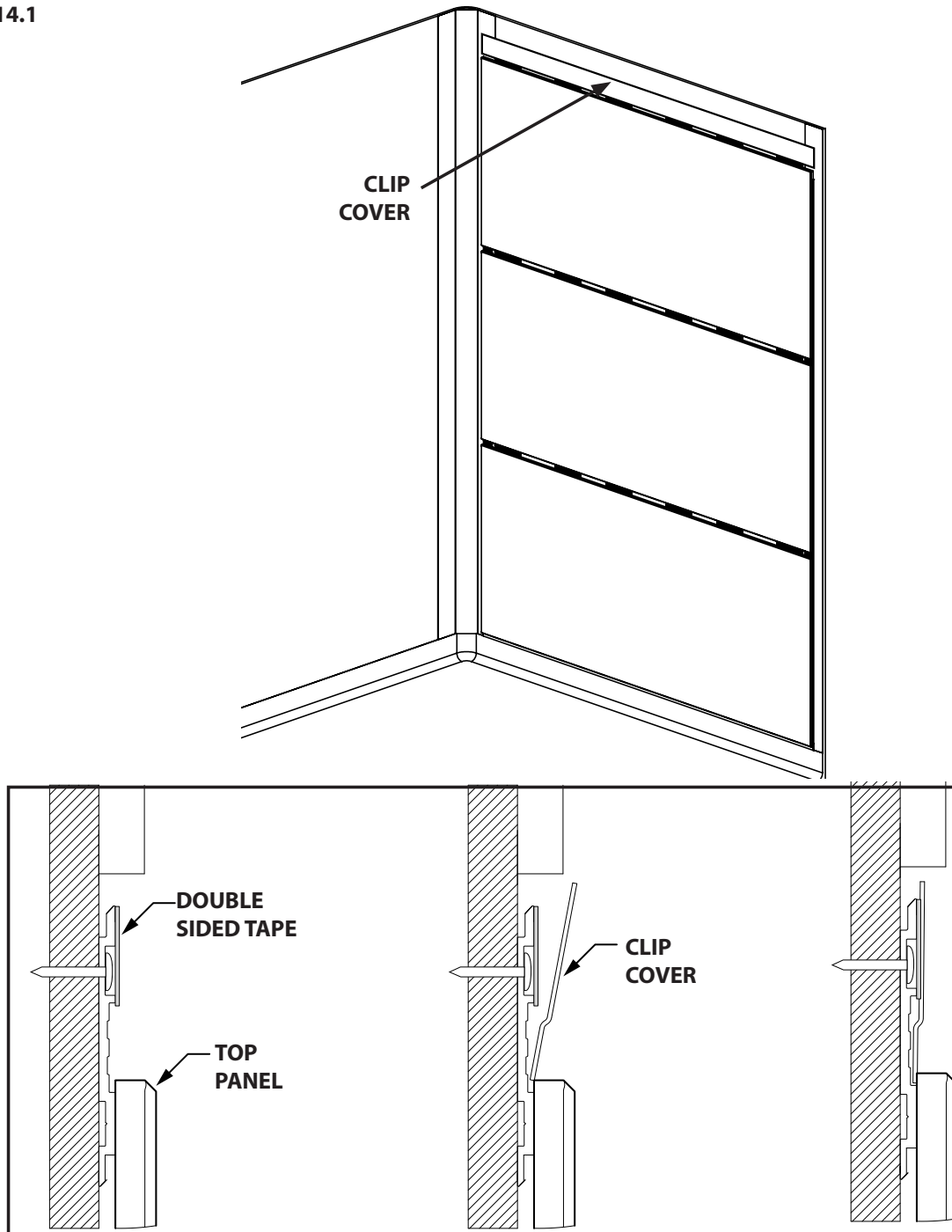
3

Installation Instructions Clip Cover Installation

INSTALLING CLIP COVER.

1. After the all panels are installed to the wall, apply doubled sided tape to the top of the exposed clip.
2. Insert the clip cover so the short formed lip sits into the reveal groove. Then press the clip cover leg into the foam tape.

Figure 14.1

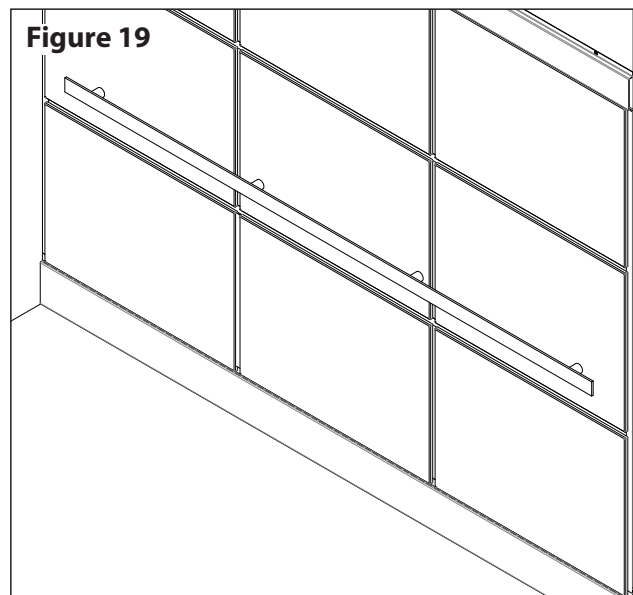
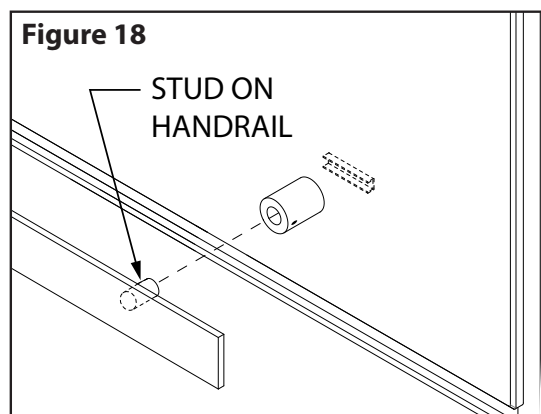
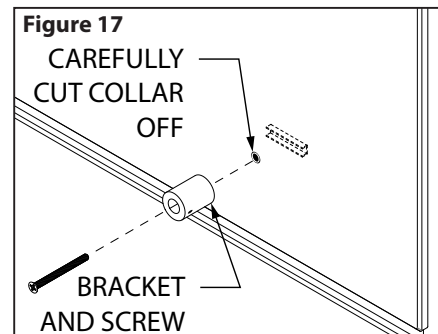
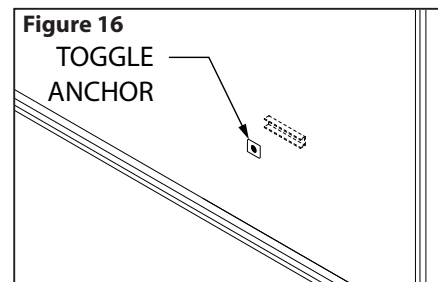
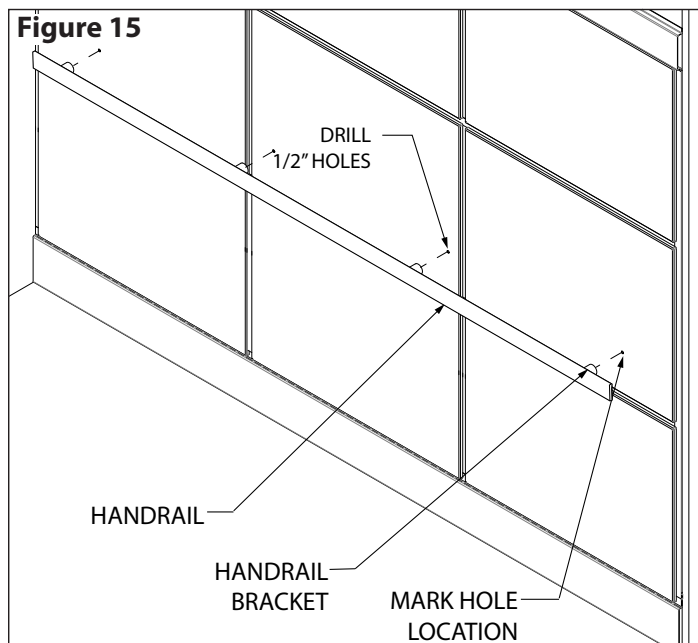


4

Installation Instructions Handrail Install

HAND RAIL INSTALLATION - ON PANELS

1. Position the handrail and brackets on center against the wall. Mark the bracket locations, ensure the handrail is level.
2. Drill the marked hole locations using a 1/2" drill bit, install the supplied toggle bolts by sliding locking collar flush and tight against the face of the panel. TIP: For the bracket to sit flush cut the collar off the toggle using a *sharp* chisel, with flat edge against the panel using light taps on the chisel.
3. Install the handrail. Remove the bracket from the back of the handrail. Locate the bracket at each hole location, and carefully thread the supplied bolt into the toggle. TIP: Turn the bracket so the set screw faces down for a finished look. Install handrail and fasten in place using the set screw..



4

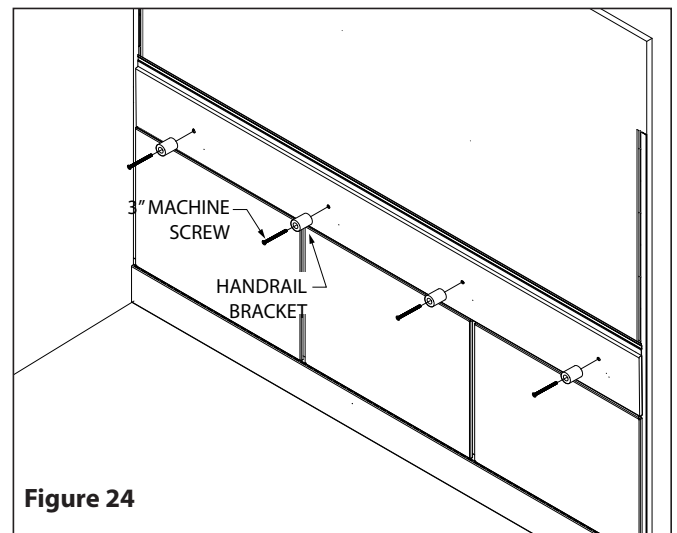
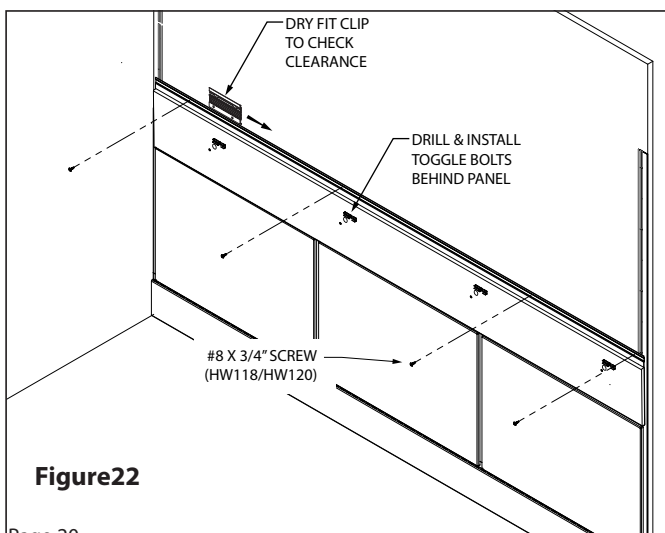
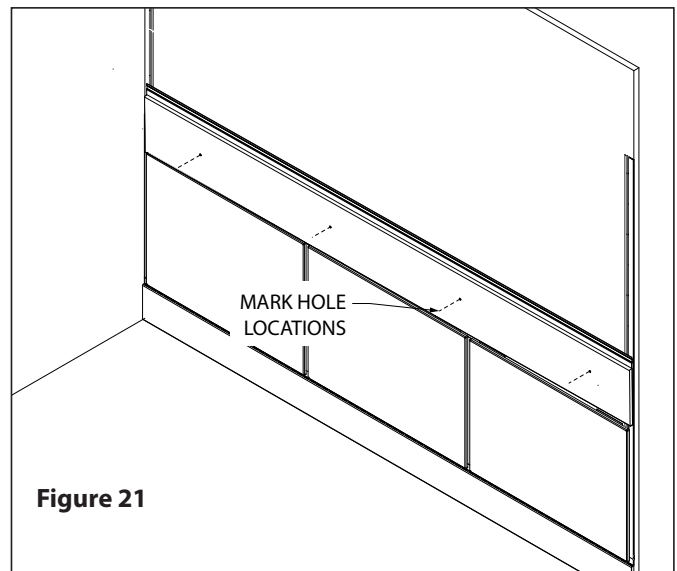
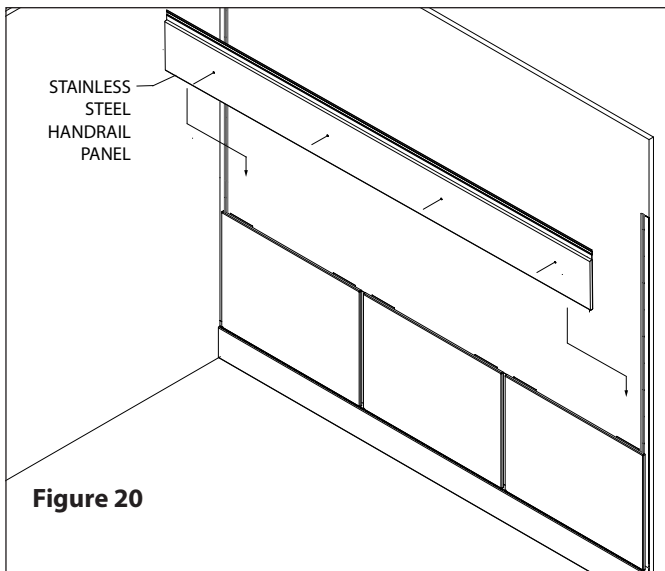
Installation Instructions Handrail Install

HAND RAIL INSTALLATION - ON HANDRAIL PANEL

1. Install first row of panels.
2. Dry fit the Stainless Steel Handrail Panel so the small lip sits flat into the reveal groove of the clip. Ensure the panel is aligned on both sides of the panel below. Mark the predrilled hole locations on the panel.
3. Remove handrail panel. Drill the marked holes using a 1/2" drill bit.
4. Install the supplied toggle anchors at each location. Ensure the collar is installed tight.
5. Replace the Stainless Steel Handrail panel, Remove the protective coating from the front side of the handrail panel.
6. Install the handrail bracket with the supplied 3" machine screws.

NOTE: Installation of wall panels before installing handrail.

Continued →



4

Installation Instructions Handrail Install

HANDRAIL INSTALLATION - ON HANDRAIL PANEL

7. Install handrail into the brackets by aligning the welded studs located on the back of the bracket
8. Continue panel installation (see section 3). Once the panels are installed, install the handrail into the brackets, secure the handrail in place using the set screws. TIP: Rotate handrail brackets so the set screw faces downward for a finished look

Figure 25

