

Installation Instructions

Ascend Ceiling Systems - Island Ceilings

Important:

Install in accordance with manufacturer's installation instructions. Failure to do so will void the warranty. Ceilings should be installed before the wall system.

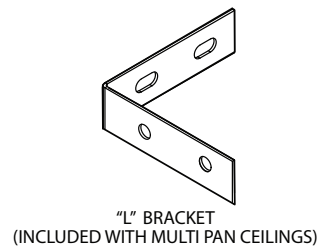
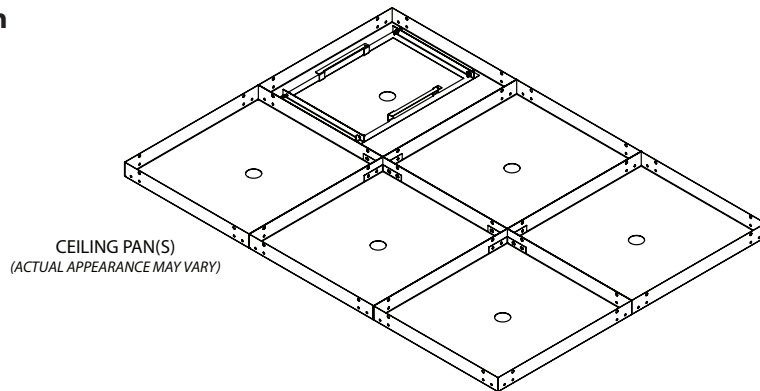
Verify that the ceiling escape hatch aligns with the cab hatch before installation.

Recommended Tools:





Socket Wrenches, Socket Set, Cordless Electric Drill Driver, 5/16" Drill Bit, 1/2" Drill Bit, Step Ladder, Level, Flashlights, Phillips Head Screw Drivers, Adjustable Wrenches, Tape Measure, Electric Drill, Impact Driver, Silver Paint Pen.

Components and Fasteners:

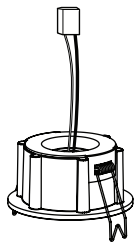
Pan



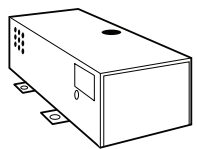
CEILING HUNG HARDWARE KIT: AD9902055-K/ AD990256 / AD9902057

			
5/16 FENDER WASHER HW128 QTY: 20/29/44	5/16 -18 HEX NUT HW127 QTY: 20/25/44	5/16-18 x 1" RIBBED CARRIAGE BOLT HW129 QTY: 20/25/44	5/16 -18 x 6" THREADED ROD HW126 QTY: 8/8/10

LIGHT KIT


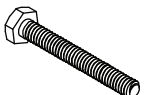





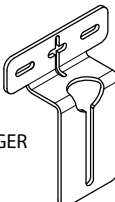
LED DOWN LIGHT
WITH PRE-WIRED
CONNECTOR
(QTY VARIES)



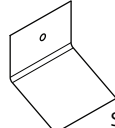
POWER SUPPLY/ BATTERY BACK UP
(ACTUAL APPEARANCE MAY VARY)

SIDE MOUNT HARDWARE KIT: AD-HW001

				
#10 x 5/8 HEX HEAD TEC SCREWS QTY: 18	1/4-20 x 1 1/2 HEX HEAD MACHINE SCREW QTY: 6	EXTERNAL TOOTH LOCK WASHER QTY: 6	1/4" WASHER QTY: 12	1/4-20 HEX JAM NUT QTY: 6



SIDE MOUNT HANGER
QTY: 6



SIDE MOUNT CLIP
QTY: 6

IPC.3137/REV.4

ASCEND® Elevator Protection

inpro.com • 800.222.5556 • 262.679.9010

World Headquarters S80 W18766 Apollo Drive, Muskego, WI 53150 USA

Installation Hotline: 866.394.6776

inpro®

Installation Instructions

Ascend Island Assembly

Figure 1

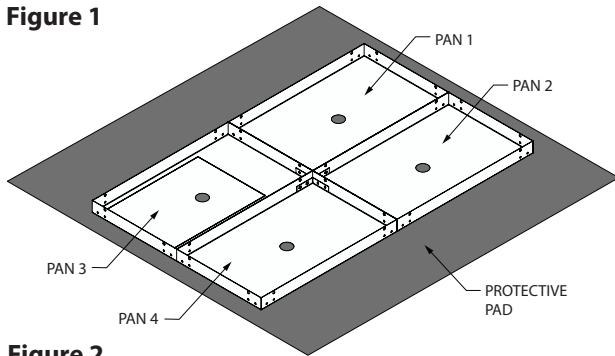


Figure 2

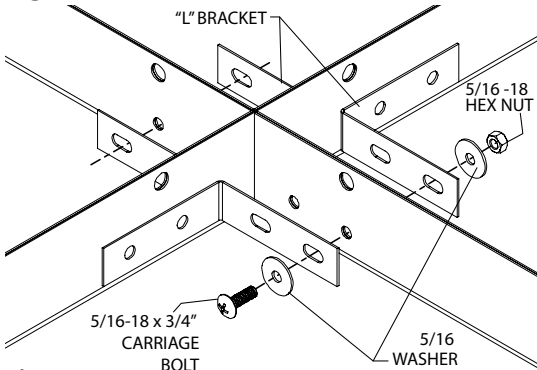


Figure 3

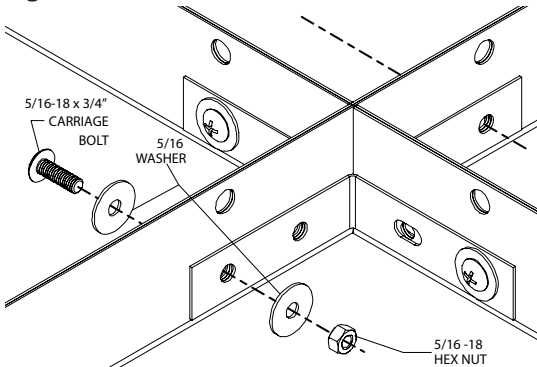
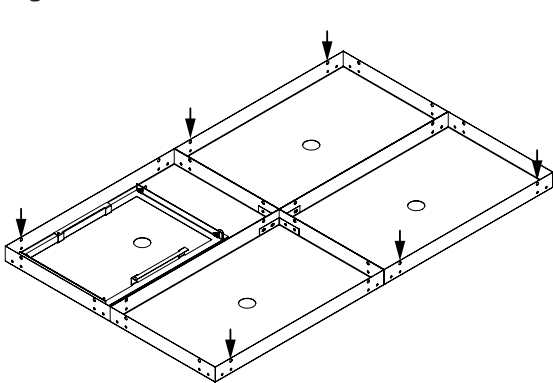


Figure 4



It is important to pre-assemble the multi pan ceiling before beginning the ceiling pan installation.

1. Unpack the ceiling panel crate onto a protected surface, and arrange the panels as they are to be installed in the elevator cab. Verify the escape hatch on the ceiling aligns with the hatch in the cab.

Figure 2

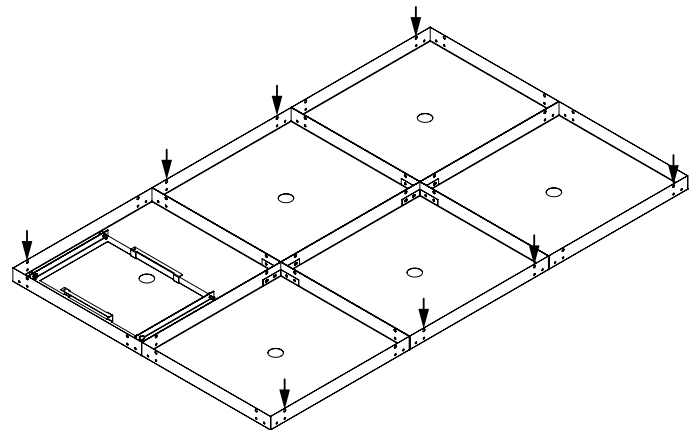
2. Abutt the pans together aligning the pre-existing holes in the matting flanges.
3. At each inside corner of the mating flanges attach 1 of the supplied "L" brackets to the inside of the ceiling pan. Align the two holded leg of the braket with the holes on the outside flange and secure in place as shown in figure 2
4. Repeat step for all abutting inside corners

Figure 3

5. After the "L" brackets have been fastened to the inside corners, faster the panels together. As shown in Figure 3.
6. After the ceiling pans have been fastened together at the corners, install a bolt through one of the center 2 holes at the center of the pan.

Figure 4

7. Inpro recommends using all of the supplied hanging brackets provided when installing the ceiling.
8. Reference the figures below for recommended hanger positions for 4 & 6 pan ceilings.



ASCEND® Elevator Protection

inpro.com • 800.222.5556 • 262.679.9010

World Headquarters S80 W18766 Apollo Drive, Muskego, WI 53150 USA

Installation Hotline: 866.394.6776

inpro®

Installation Instructions

Island Ceilings - Ceiling Hung



Always turn off power to lighting system and lock-out elevator before installation.

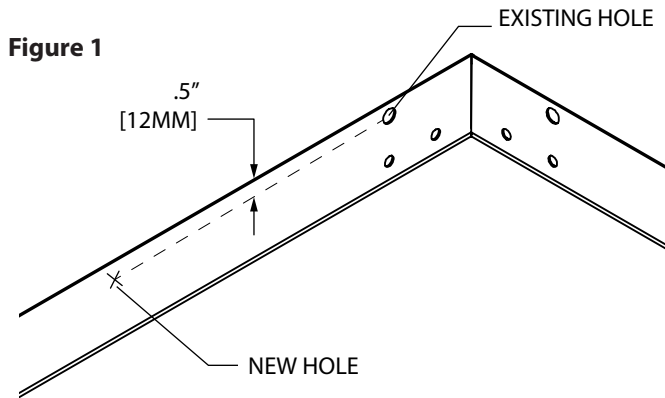


Figure 1

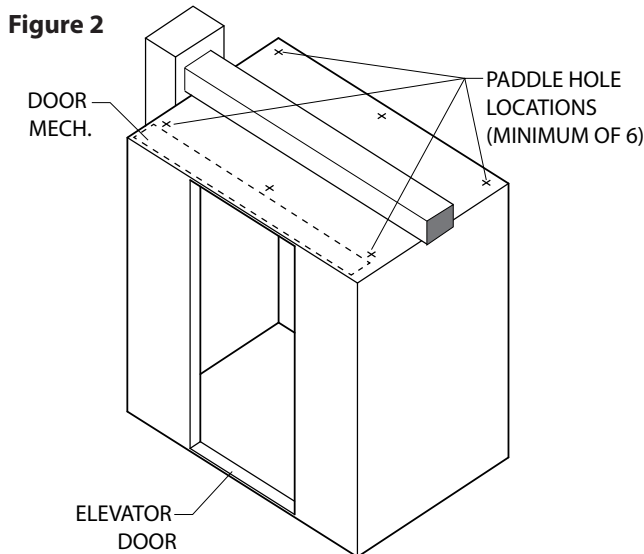


Figure 2

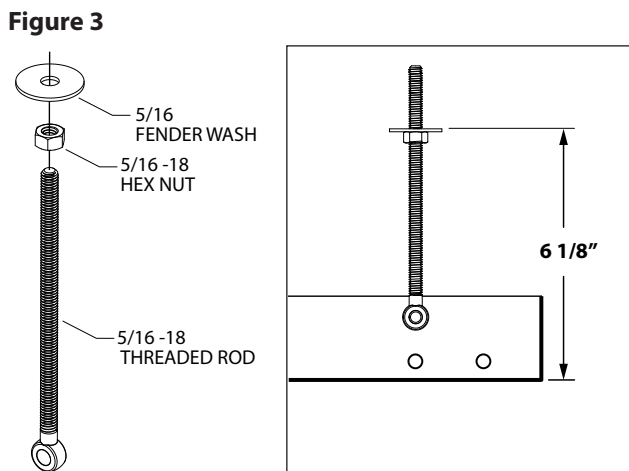


Figure 3

Please read all instructions before installing any Ascend™ ceiling systems. Reference the installation instructions for LEDs before installing the ceiling.

Ceilings should be installed before the wall system.

Material must be stored, installed and used in environmentally controlled conditions.

Before installation inspect the top of the elevator cab to see if fasteners will interfere with any mechanical equipment so in-field adjustment may be made prior to installation.

Figure 1

1. Ensure the pre-drilled hole locations on the pan system will not interfere with existing mechanical/electrical equipment. If hole location has to move, re-drill the hole in a desired location using a 3/8" drill bit 1/2" below the top edge of the pan.

Figure 2

2. Pre-drill the hole locations for the hanging threaded rods, in the top of the cab using a 3/8" [10mm] drill bit. When possible drill from the top exterior of the cab INTO the cab, always be mindful of the door operating mechanism and electrical conduit/wiring that may be on the top of the cab when drilling.

NOTE: If an existing hanging ceiling was installed previously, it is possible to reuse the hole locations, if convenient.

TIP: For cab capacities 3,000 lbs and over. Inpro recommends using 8 hanger locations to prevent bowing of the pans.

Figure 3

3. Assemble each threaded rod with a single 5/16 - 18 Hex Nut and a 5/16 fender washer. This will allow the ceiling frame to hang at the proper height
4. Position the washer and hex nut at the appropriate location on the threaded rod. Inpro standard ceiling drop is 6 1/8".

ASCEND® Elevator Protection

inpro.com • 800.222.5556 • 262.679.9010

World Headquarters S80 W18766 Apollo Drive, Muskego, WI 53150 USA

Installation Hotline: 866.394.6776

inpro®

Installation Instructions

Island Ceilings - Ceiling Hung

Figure 4

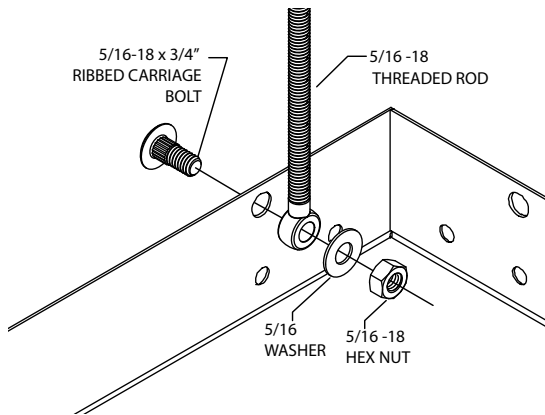


Figure 4

- Using the drilled holes on the pan, insert the supplied 5/16-18 x 3/4" carriage bolt into the pan and through the eye of the threaded rod hanger.
- Secure the threaded rod to the pan using the supplied 5/16 washer and hex nut. Tighten paddle until it is secured snug to the pan.

TIP: the threaded rod should be able to turn and hold its position when tilted at a 45° angle to the ceiling pan. This will help when positioning the frame in the ceiling.

Figure 5

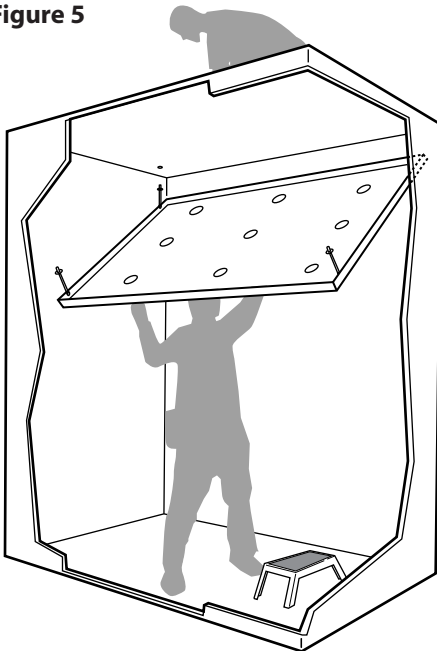


Figure 5

- Carefully maneuver the assembled ceiling pan into the cab. It is recommended that this step is completed before installing the in-fill panels.
- With a 2nd person positioned on the top of the elevator cab push one of the back threaded rods through the corresponding drilled hole on the top of the cab (see Figure 5a)

TIP: Inpro recommends the use of a panel lifter to get ceiling into position.

- With the tip of the threaded rod protruding the top surface of the cab roof, place a 5/16 fender washer and thread a 5/16-18 hex nut onto the threaded rod. (See Figure 5b)
- Repeat for the rest of the back side threaded rods.
- After the back edge of the ceiling pan is secured to the top of the cab. Dry fit the front edge hanging rods to their pre-drilled holes, making adjustments to hole locations if needed. **DO NOT** secure the front edge in place yet.

Figure 5a

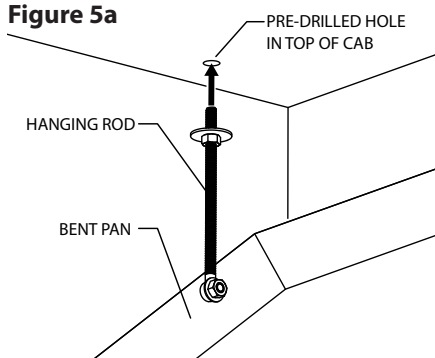
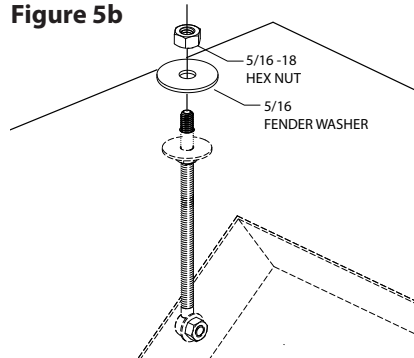


Figure 5b



Installation Instructions

Island Ceilings - Ceiling Hung

Figure 6

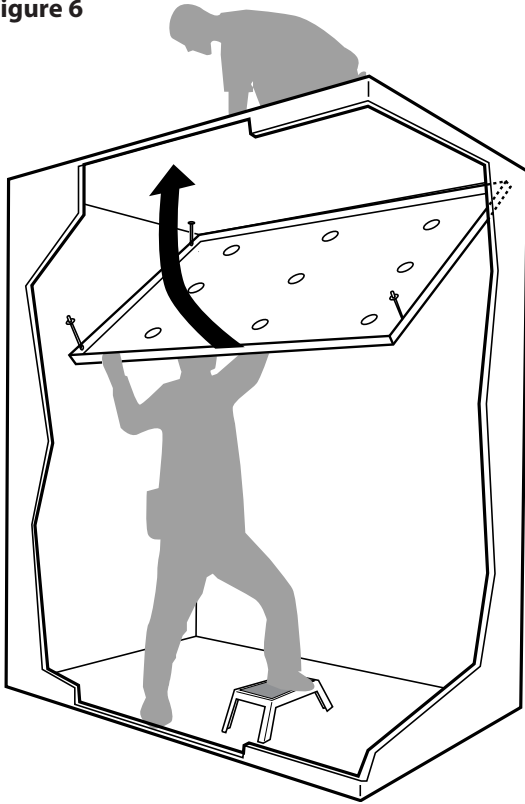


Figure 6

12. With the 2nd person back in place on the top of the cab, pivot the front edge of the ceiling back into location. Ensure the threaded hanging are inserted into the per-drilled holes.
13. Secure the front in the same fashion as the back edge.
14. If using LED lights wire the lights to the power supply/battery back up. ALWAYS consult your local elevator code for proper wiring regulations.
15. Turn power to lights back on, and test to ensure lights are properly wired
16. Clean up work area, remember to double check the top of the cab for tools.
17. Continue work with cab walls next. (See Installation Instructions for wall system).

Installation Instructions

Island Ceilings - Side Mount



Always turn off power to lighting system and lock-out elevator before installation.

Ceilings should be installed before the wall system.

Material must be stored, installed and used in environmentally controlled conditions.

Before installation, inspect the elevator cab to see if fasteners will interfere with any mechanical equipment so in-field adjustment may be made prior to installation.

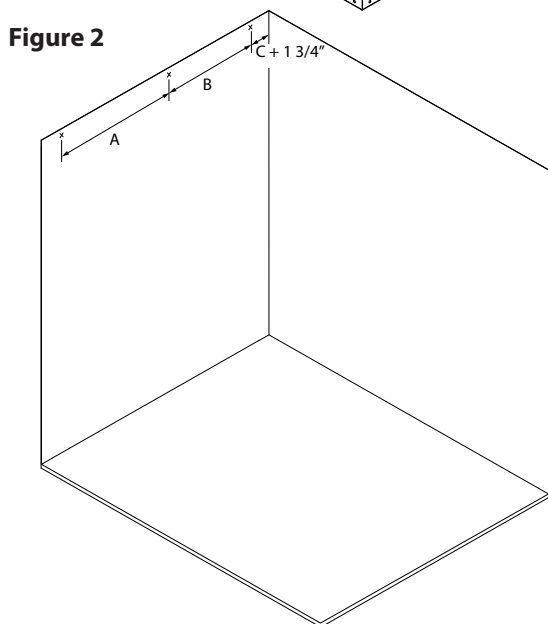
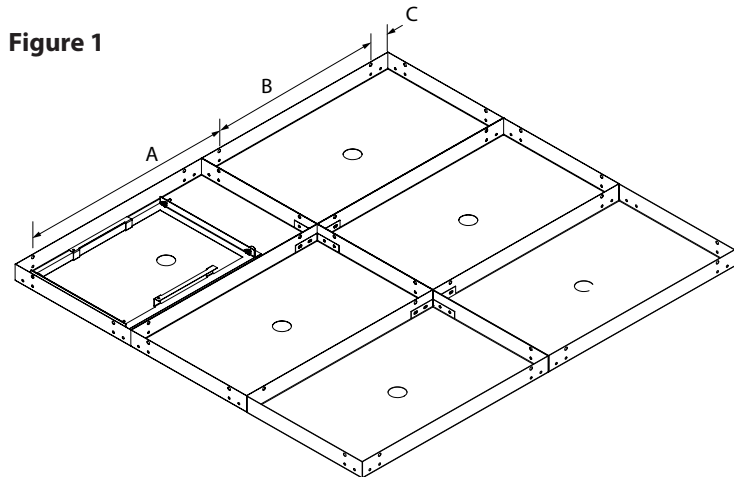


Figure 1

1. Determine which walls to anchor the side mount hangers to.
2. Measure the distance between each mount hole on the ceiling provided. As shown in Figure 1.

Figure 2

3. Starting with the corner measurement "C" add 1 3/4" and mark the first hanger location along the top of the side wall. Mark the "A" & "B" measurements as they are from the ceiling.
4. Transfer the "A" & "B" measurements as they are from the ceiling onto the wall.

Figure 3

5. Place the hanger clip against the wall, so your mark is centered on the vertical slot.
6. Using the #10 Tec Screws, lightly fasten the hangers into wall using the two slide slots. The clips should be able to slide side to side.
7. Confirm the center to center distance on the clips or dry fit the ceiling into the clips. Adjust as needed.

Figure 4

8. Once spacing is confirmed slide the blue spring steel clip behind the clips and secure using a #10 Tec Screw. Tighten all remaining screws holding the hangers.

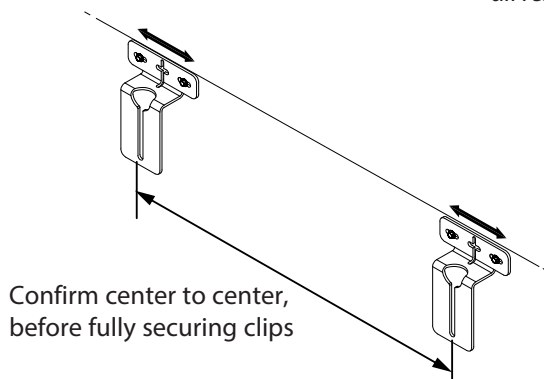
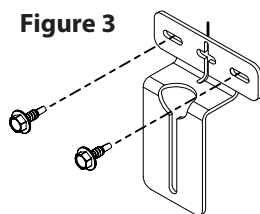
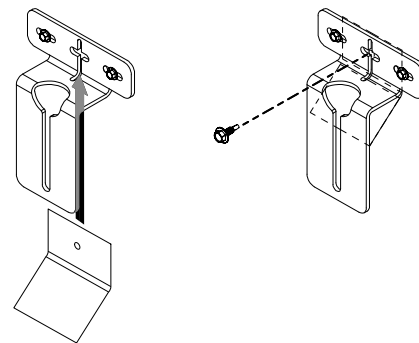


Figure 4



ASCEND® Elevator Protection

inpro.com • 800.222.5556 • 262.679.9010

World Headquarters S80 W18766 Apollo Drive, Muskego, WI 53150 USA

Installation Hotline: 866.394.6776

inpro®

Installation Instructions

Island Ceilings - Side Mount

Figure 5

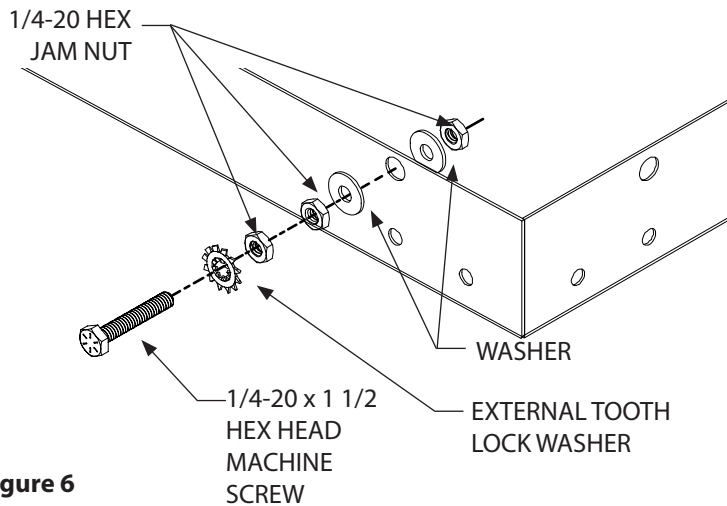


Figure 6

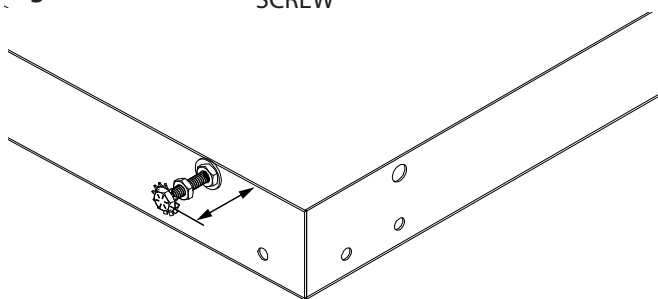


Figure 7

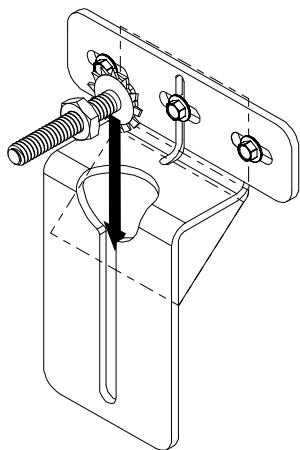


Figure 8

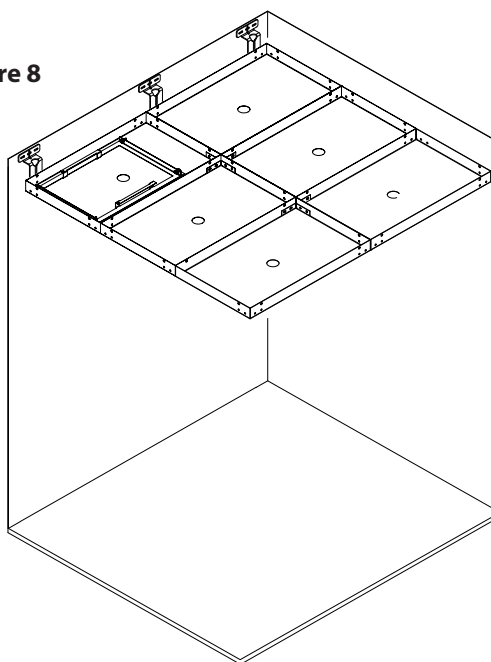


Figure 5

9. Install hardware stack as shown into each location.

Figure 6

10. Thread the 1/4-20 Hex head screw so that the inside of the head is the appropriate distance from the edge of the ceiling.

11. This can be found by measuring the distance between each clip on the opposite wall, then measuring the distance from each bolt head.

Figure 7

12. After establishing the distance lift ceiling into cab and drop the ceiling into the clips with the toothed washer on the inside of the clip.

13. Tighten jam nut into clip to secure the fastener.

Figure 8

14. Clean the surrounding area and reference wall panel installation instructions to begin installation.