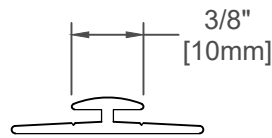
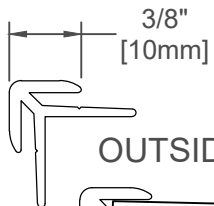
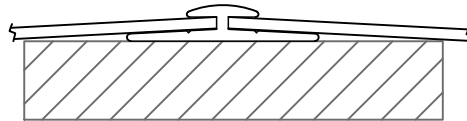


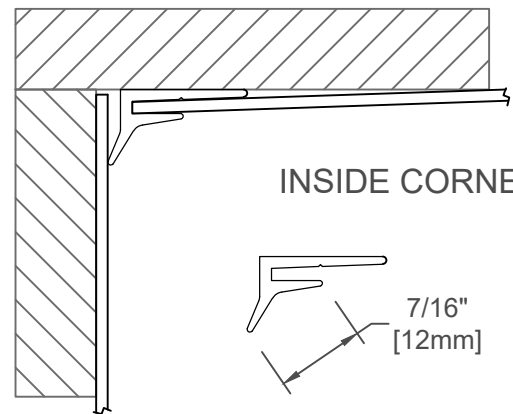
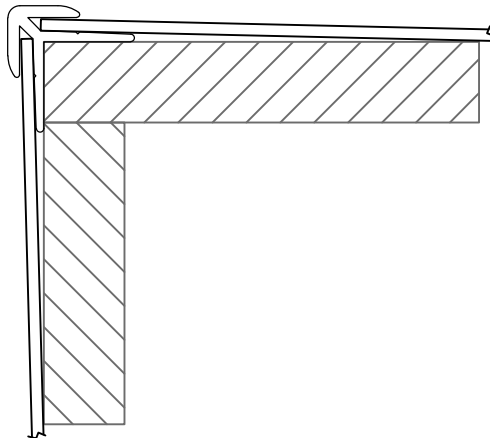
TOP CAP



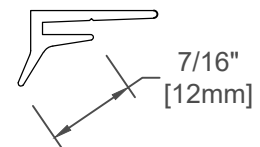
DIVIDER BAR



OUTSIDE CORNER



INSIDE CORNER



FINISH:

PROJECT:

CUSTOMER:

LOCATION:

ALUMINUM TRIM PIECES
FOR IPC® RIGID SHEET

DATE: 10/5/12

SCALE: 1:1

DOC:CADIPC.094/R1

inpro.

For More Information Visit: Inprocorp.com