

Installation Instructions

Aluminum Wall Panels

Please read all instructions before installing handrail.

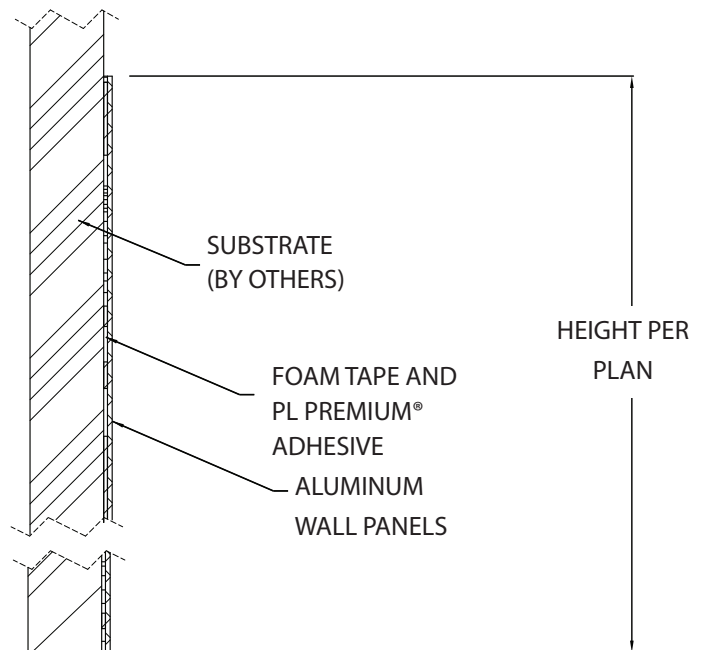
Important:

1. Acclimate Aluminum Panels, Trims, adhesives and wall substrates to room temperature 24 hours before installation. Ensure panels and trim are on a level surface while acclimating.
2. 24 hours before, during and 48 hours after installation, maintain a building temperature between 70°-80° F (21°-26° C) and keep humidity below 80%.
3. Substrate must be dry, well sealed and free of dirt, loose paint, wax and grease. Glossy surfaces may require sanding or priming to help promote adhesion.
4. Remove any coatings designed to improve clean- up as these coatings may affect adhesion.
5. If available review related project drawings for the install
6. Stainless steel panels are positioned 1/2" [13mm] away from corner conditions to account for screw mounting and deviations from true 90° angles.

Field Cutting Tips:

1. All panels are pre-sized according to architect/installers supplied dimensions.
2. If a field cut is required, use a 16 gauge sheet metal nibbler for cuts. ALWAYS wear a face shield or appropriate protective gear when cutting metal.
3. After completing the field cut it may be necessary to finish the cut edge using a metal file. Ensure the edge of the cuts are free of burs or other sharp projections.

SECTION VIEW



Recommended tools:

Chalk Line or Laser Level, Level, Metal Straight Edge, Tape Measure, Drop Cloth, Painter Tape, PL Premium® Adhesive, Double Sided Foam Tape, Face Shield /Safety Glasses, Electrical 16 Gauge Sheet Metal Nibbler, Set of Metal Files Specifically for Aluminum, Color Matched Vinyl Seal or Aluminum Colored Sealant, Suction cup lifters, Plastic Putty Knife.

IPC.3298/REV.1

IPC® Door + Wall Protection

inpro.com • 800.222.5556 • 262.679.9010

World Headquarters S80 W18766 Apollo Drive, Muskego, WI 53150 USA

Installation Hotline: 866.394.6776

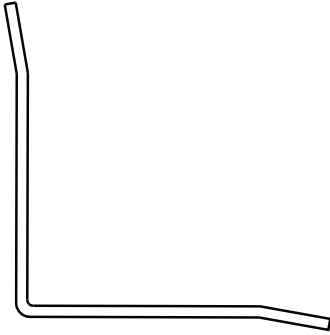
inpro®

Installation Instructions

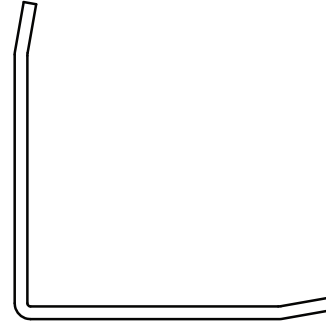
Aluminum Wall Panels

Please read all instructions
before installing handrail.

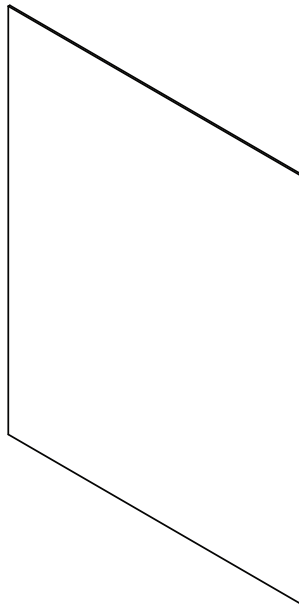
Component Overview



ALUMINUM
INSIDE CORNER



ALUMINUM
OUTSIDE CORNER



ALUMINUM
WALL PANEL

IPC® Door + Wall Protection

inpro.com • 800.222.5556 • 262.679.9010

World Headquarters S80 W18766 Apollo Drive, Muskego, WI 53150 USA

Installation Hotline: 866.394.6776

inpro®

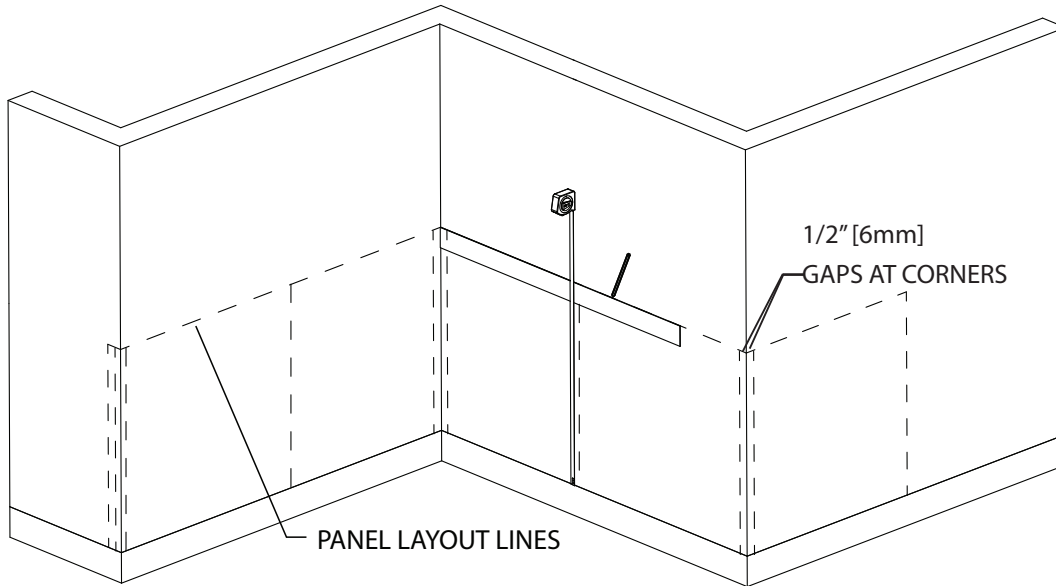
Installation Instructions

Please read all instructions before installing handrail.

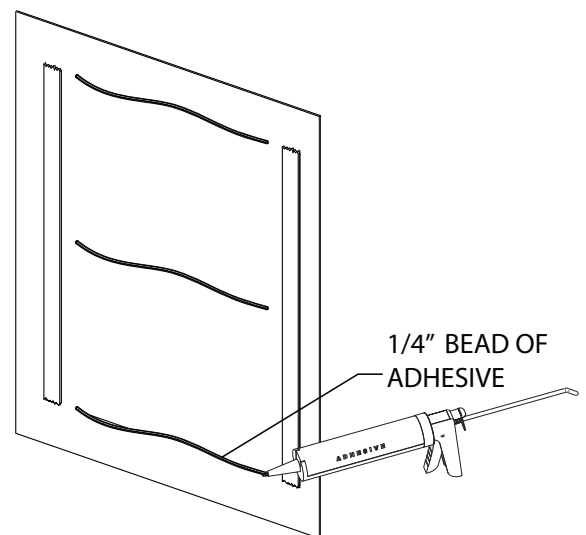
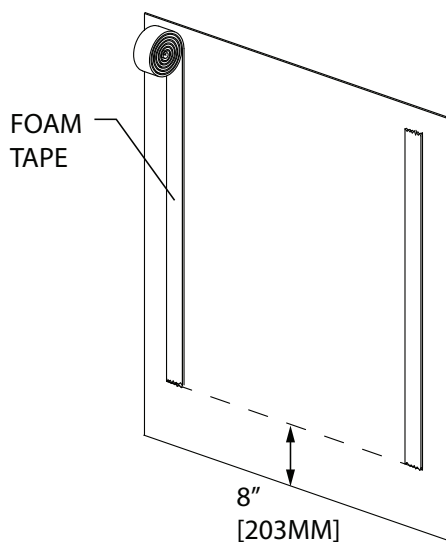
Aluminum Wall Panels

Installation

1. Before beginning installation remove any wall covering which may affect panel adhesion. Begin installation by matching panel sizes to their associated wall, once correct panel to wall locations have been found, lay out panel locations on the wall, leaving a 1/2" [13mm] gap at all inside and outside corner conditions.



2. Apply two (2) strips of double sided foam tape, vertically 2"-3" [50-76mm] from each edge and 8" [203mm] from the bottom edge.
3. Apply 1/4" [6mm] bead of PL-Premium® horizontally between the strips of foam tape, evenly space the beads of adhesive down the height of the panel.



IPC® Door + Wall Protection

inpro.com • 800.222.5556 • 262.679.9010

World Headquarters S80 W18766 Apollo Drive, Muskego, WI 53150 USA

Installation Hotline: 866.394.6776

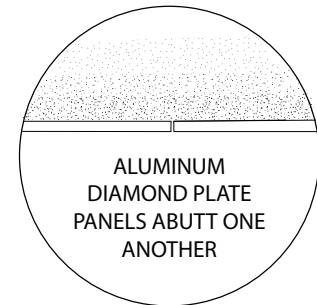
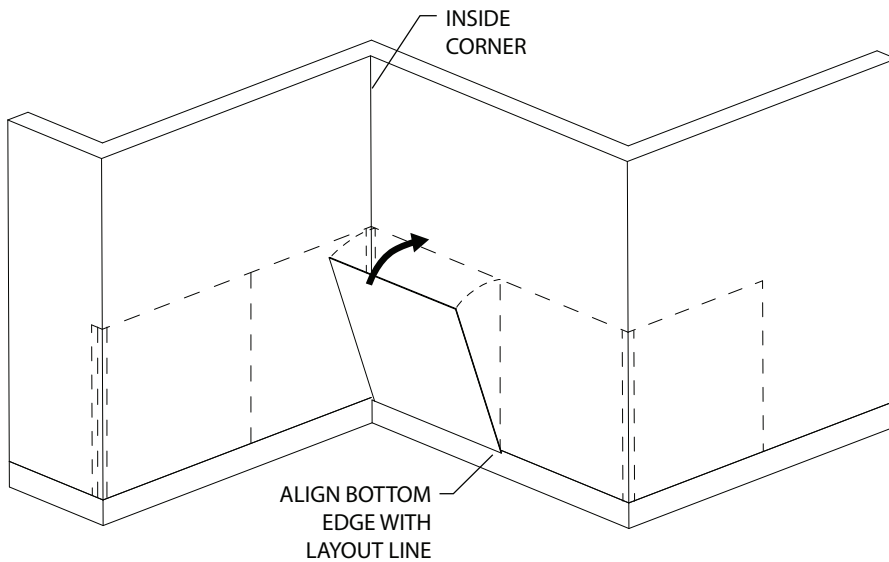
inpro®

Installation Instructions

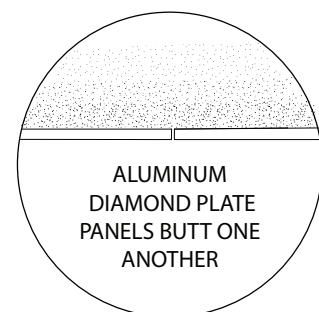
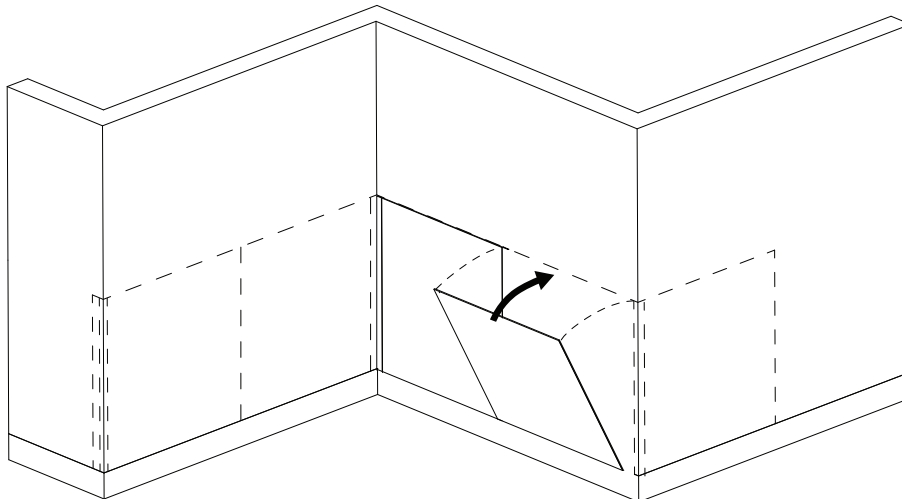
Please read all instructions before installing handrail.

Aluminum Wall Panels

4. If conditions permit, begin installations at inside corner conditions; otherwise install panels so seams face away from the flow of traffic. When installing panels it is critical to ensure the panel is installed flush with the layout lines, first using the suction cup grabbers, position bottom edge of panel along bottom layout line. Ensure the flat edge of the panel (the non-recessed flange edge) is flush with the surface next to it.
5. Slowly tilt panel into position ensuring the panel aligned with the layout. Firmly press panel into position once tape has made contact with the wall. **IMPORTANT:** Once tape contacts the wall it cannot be cleanly repositioned, and should be considered permanent.



6. Repeat steps 2-5 to continue installation along entire length of the layout/wall, over laying the flat edge of each panel over the recessed flange of the one installed next to it. Ensure the top edge of each panel is flush and continuous with the panel next to it.



IPC® Door + Wall Protection

inpro.com • 800.222.5556 • 262.679.9010

World Headquarters S80 W18766 Apollo Drive, Muskego, WI 53150 USA

Installation Hotline: 866.394.6776

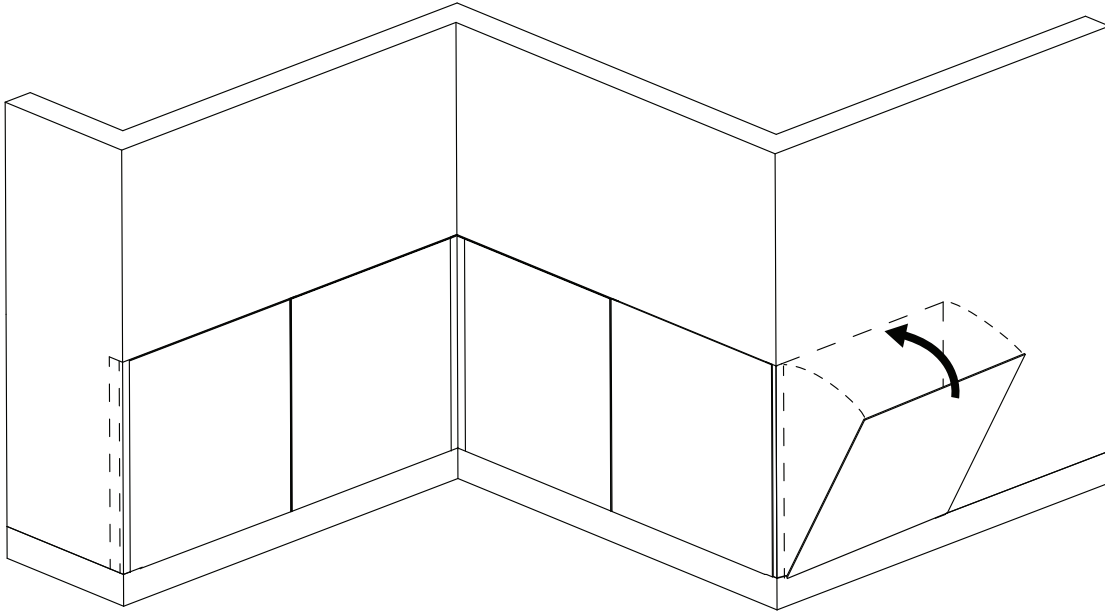
inpro®

Installation Instructions

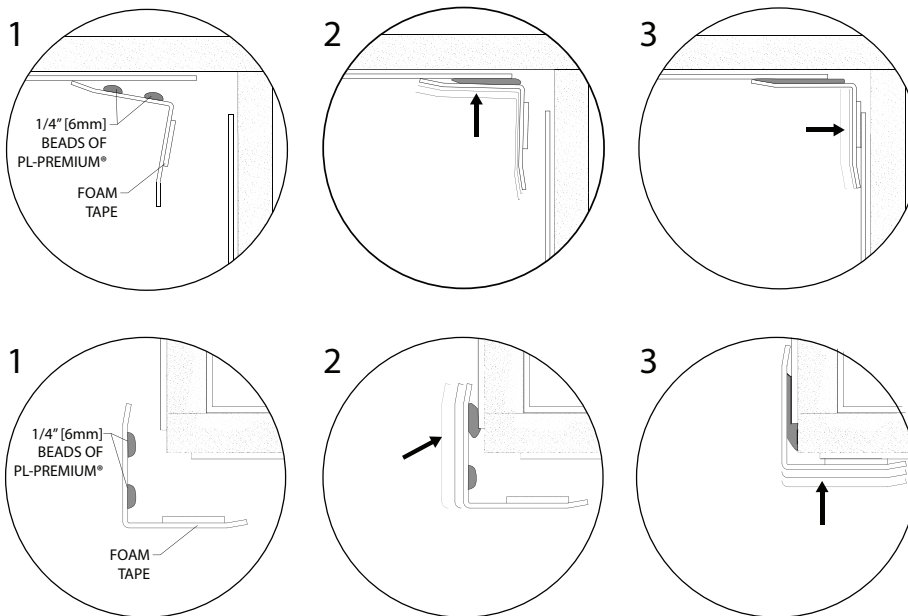
Please read all instructions before installing handrail.

Aluminum Wall Panels

7. After installing a complete run of panels, continue installation along any adjoining wall or layout sections, continuing to ensure the panels are installed level with the panels on the adjoining wall. Do not install corner trim pieces until the entire installation is complete.



8. For corner trims, apply a single strip of foam tape to one of the backsides of the corner trim wings, then apply two (2) 1/4" [6mm] beads of PL-Premium® on back of the opposing wing. Position trim piece close to the corner, adhere the wing with the PL-Premium® to the panel first, then slide the trim piece into the corner so the wing with foam tape sets squarely into the corner; press the trim piece into the corner so the tape firmly against the panel to ensure adhesion.
9. Immediately clean up an PL-Premium® that may have squeezed out from underneath the wing.



IPC® Door + Wall Protection

inpro.com • 800.222.5556 • 262.679.9010

World Headquarters S80 W18766 Apollo Drive, Muskego, WI 53150 USA

Installation Hotline: 866.394.6776

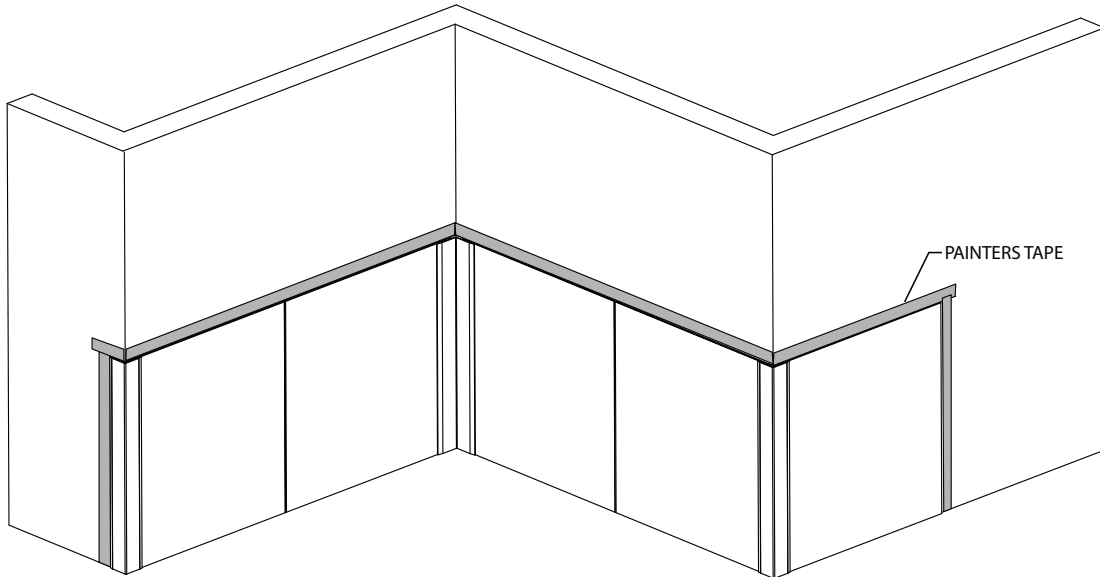
inpro®

Installation Instructions

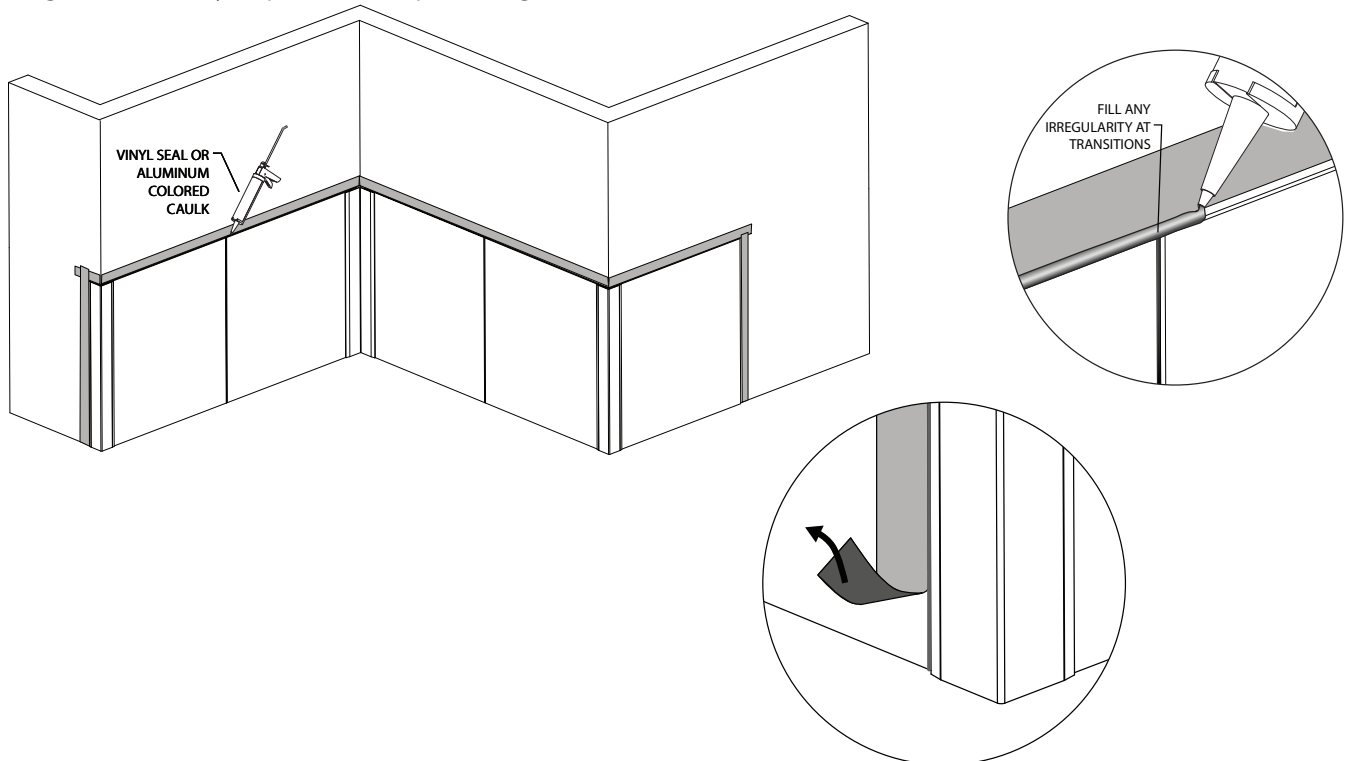
Please read all instructions before installing handrail.

Aluminum Wall Panels

10. After installation is complete, line all outside edges using blue painters tape, make sure the tape is straight, and the bottom edge of the tape sits slightly above ($1/32$ - $1/16$ " [1 - 1.5 mm]) the top edge of the panel in front of it.



11. Apply a bead of vinyl seal, or similar color matched sealant to any exposed edge on the installation. Ensure the caulk penetrates into the gap between the panel and wall. After an edge has been sealed, use a plastic putty knife to scrape any excess sealant off of the panel face, then carefully remove the blue painters tape from the entire edge, by pulling back and away. Repeat for all exposed edges.



IPC® Door + Wall Protection

inpro.com • 800.222.5556 • 262.679.9010

World Headquarters S80 W18766 Apollo Drive, Muskego, WI 53150 USA

Installation Hotline: 866.394.6776

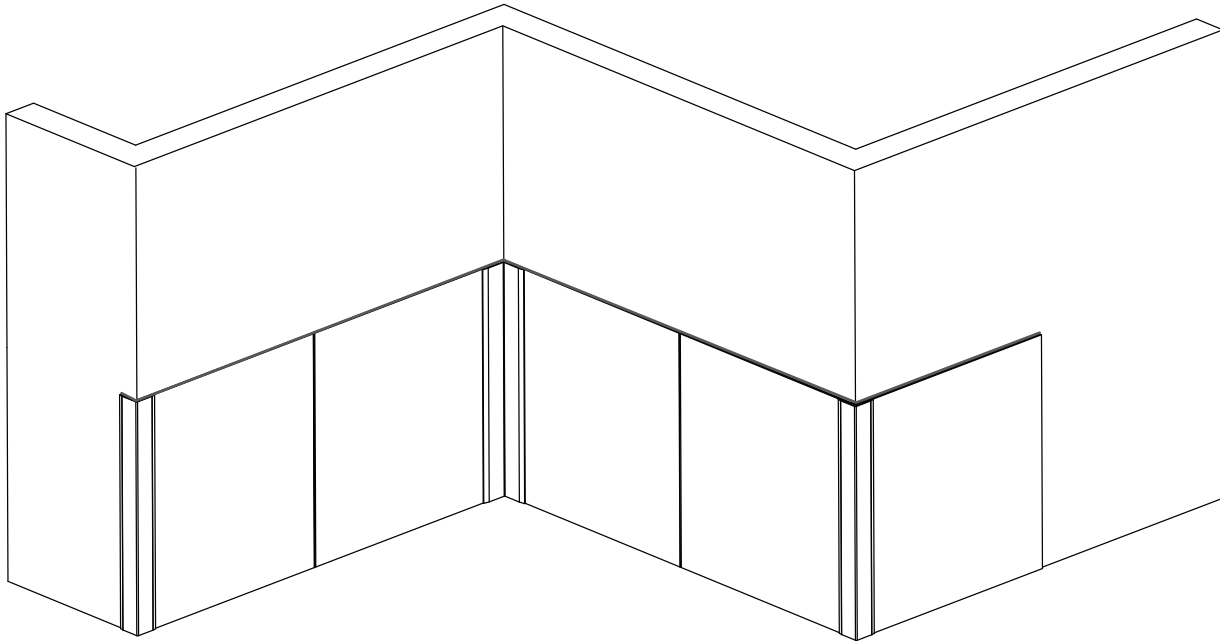
inpro®

Installation Instructions

Aluminum Wall Panels

Please read all instructions
before installing handrail.

12. Finished Installation



IPC® Door + Wall Protection

inpro.com • 800.222.5556 • 262.679.9010

World Headquarters S80 W18766 Apollo Drive, Muskego, WI 53150 USA

Installation Hotline: 866.394.6776

inpro®