

### 806SD-A02-050

JOINT WIDTH		MOVEMENT ±			
US	mm	HORIZONTAL		VERTICAL	
US	mm	US	mm	US	mm
2"	51	1"	25	+1/4" /-1"	+6 /-25

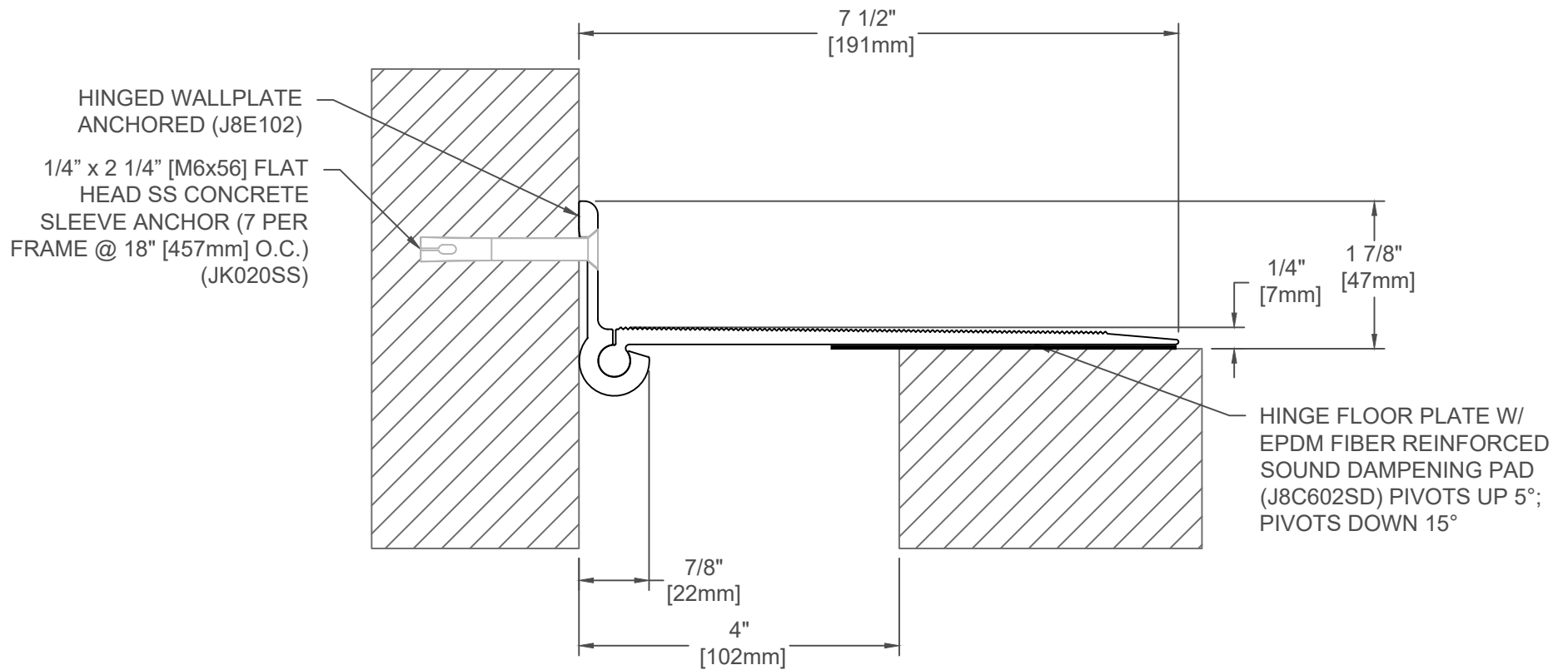
FINISH: MILL
PROJECT:
CUSTOMER:
LOCATION:

APPLICATION-  
FLOOR/WALL EXTERIOR COVER PLATE  
W/APPLIED SOUND DAMPENING

DATE:	10-31-13
SCALE:	1:2
DOC:	CADJM.130/R6

**inpro.**

For More Information Visit: [Inprocorp.com](http://Inprocorp.com)



## 806SD-A02-100

JOINT WIDTH		MOVEMENT ±			
US	mm	HORIZONTAL		VERTICAL	
US	mm	US	mm	US	mm
4"	102	2"	50	+5/8" /-2"	+10 /-51

FINISH: MILL

PROJECT:

CUSTOMER:

LOCATION:

APPLICATION-  
FLOOR/WALL EXTERIOR COVER PLATE  
W/APPLIED SOUND DAMPENING

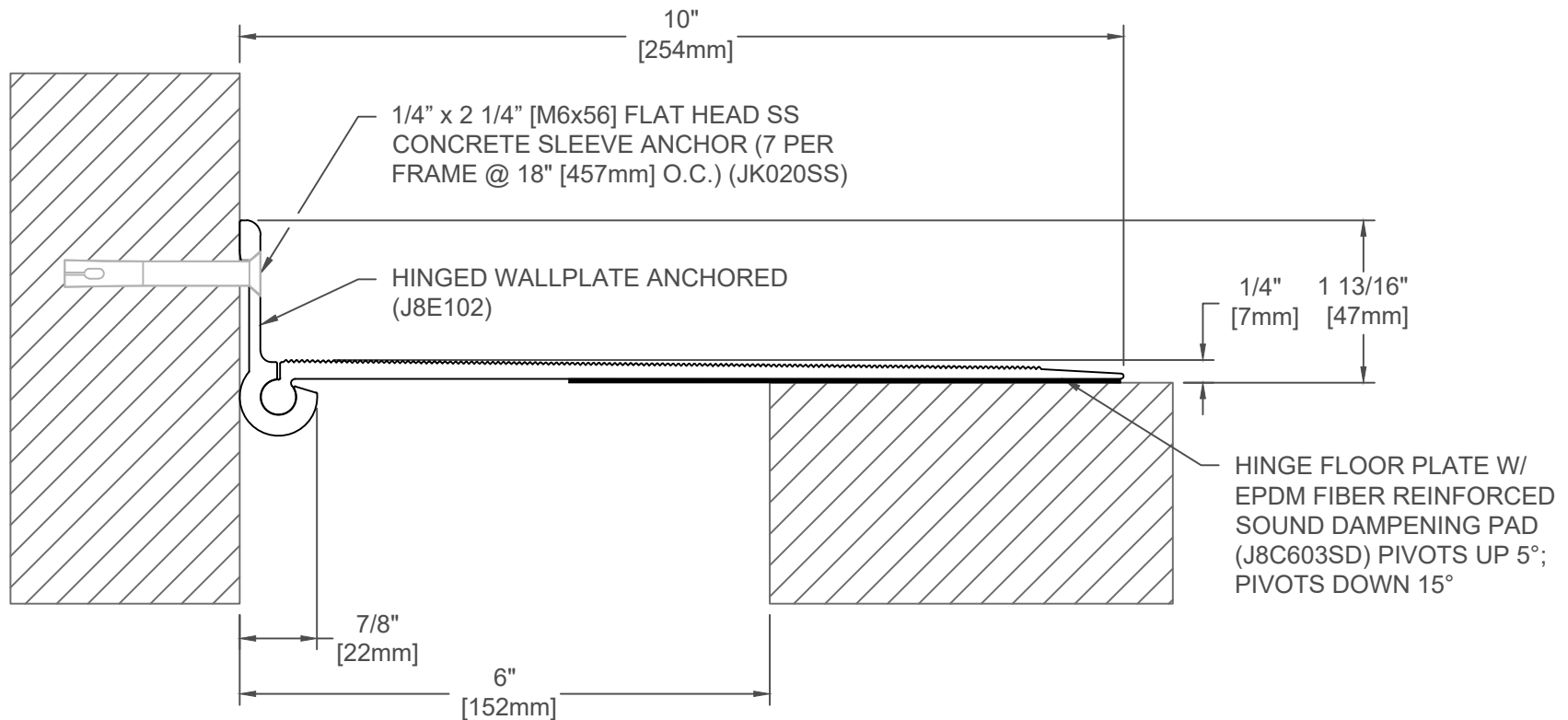
DATE: 10-31-13

SCALE: 1:2

DOC: CADJM.130/R6

**inpro.**

For More Information Visit: [Inprocorp.com](http://Inprocorp.com)



## 806SD-A02-150

JOINT WIDTH		MOVEMENT ±			
US	mm	HORIZONTAL		VERTICAL	
US	mm	US	mm	US	mm
6"	152	3"	76	+7/8" / -2 3/4"	+13 / -71

FINISH: MILL

PROJECT:

CUSTOMER:

LOCATION:

APPLICATION-  
FLOOR/WALL EXTERIOR COVER PLATE  
W/APPLIED SOUND DAMPENING

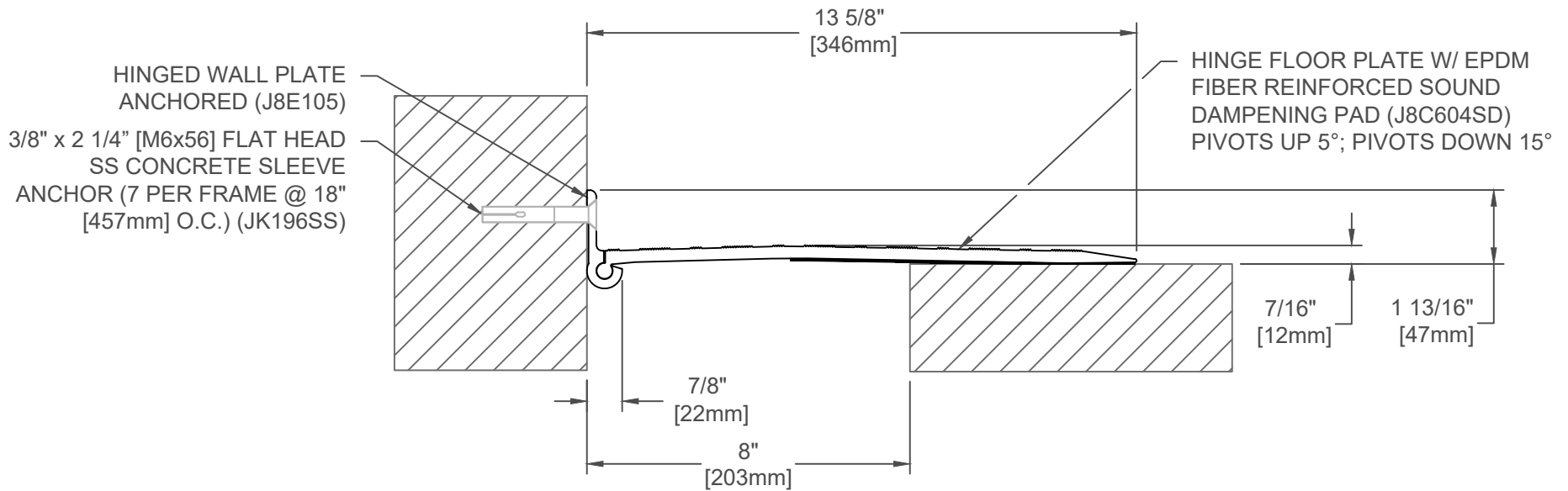
DATE: 10-31-13

SCALE: 1:2

DOC: CADJM.130/R6

**inpro.**

For More Information Visit: [Inprocorp.com](http://Inprocorp.com)



## 806SD-A02-200

JOINT WIDTH		MOVEMENT ±			
		HORIZONTAL		VERTICAL	
US	mm	US	mm	US	mm
8"	203	4"	100	+1" /-2 1/2"	+25 /-64

FINISH: MILL

PROJECT:

CUSTOMER:

LOCATION:

APPLICATION-  
FLOOR/WALL EXTERIOR COVER PLATE  
W/APPLIED SOUND DAMPENING

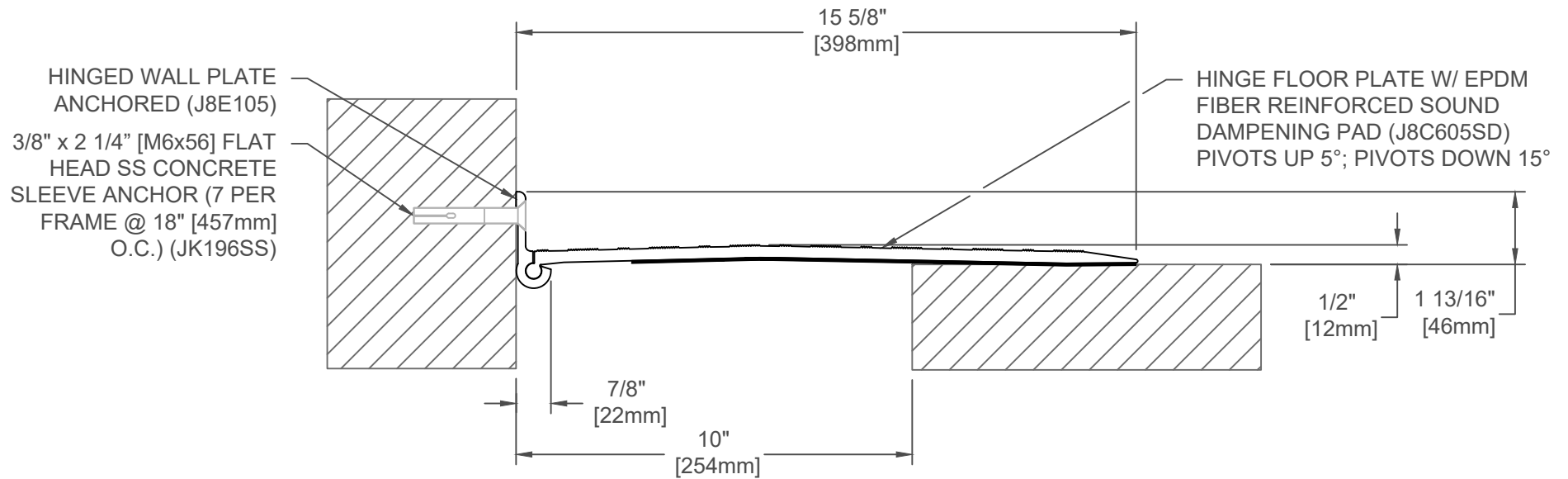
DATE: 10-31-13

SCALE: 1:4

DOC: CADJM.130/R6

**inpro.**

For More Information Visit: [Inprocorp.com](http://Inprocorp.com)



## 806SD-A02-250

JOINT WIDTH		MOVEMENT ±			
US	mm	HORIZONTAL		VERTICAL	
US	mm	US	mm	US	mm
10"	254	5"	125	+1 3/8" /-3"	+35 /-76

FINISH: MILL

PROJECT:

CUSTOMER:

LOCATION:

APPLICATION-  
FLOOR/WALL EXTERIOR COVER PLATE  
W/APPLIED SOUND DAMPENING

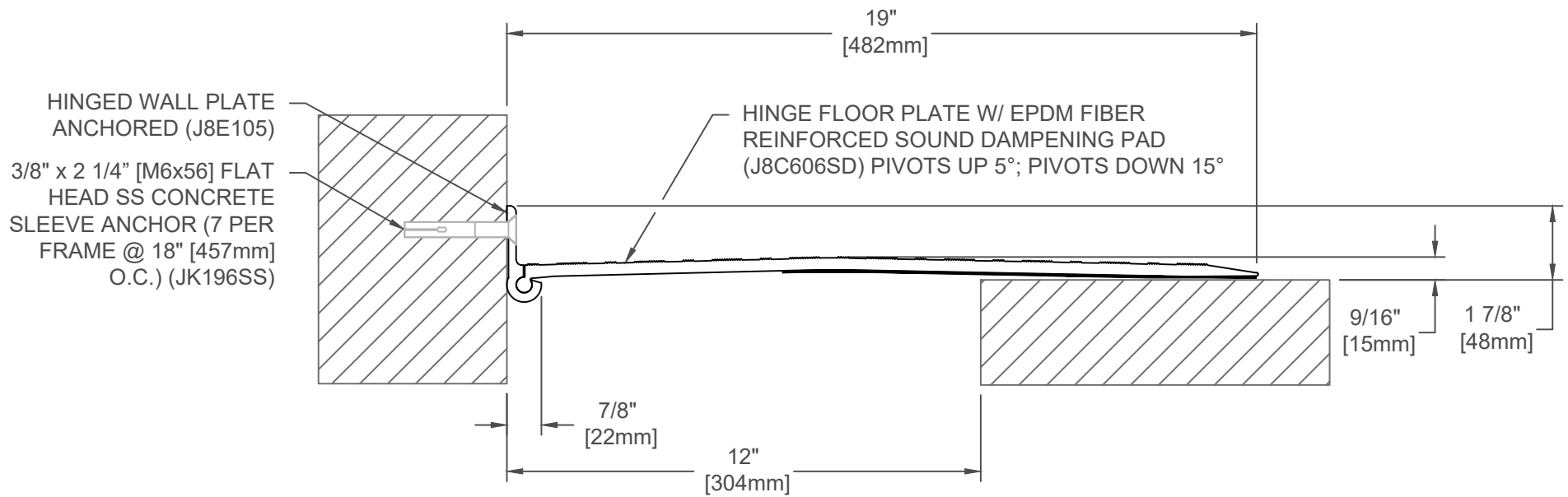
DATE: 10-31-13

SCALE: 1:4

DOC: CADJM.130/R6

**inpro.**

For More Information Visit: [Inprocorp.com](http://Inprocorp.com)



## 806SD-A02-300

JOINT WIDTH		MOVEMENT ±			
US	mm	HORIZONTAL		VERTICAL	
US	mm	US	mm	US	mm
12"	305	6"	150	+1 5/8" /-3 1/2"	+41 /-90

FINISH: MILL

PROJECT:

CUSTOMER:

LOCATION:

APPLICATION-  
FLOOR/WALL EXTERIOR COVER PLATE  
W/APPLIED SOUND DAMPENING

DATE: 10-31-13

SCALE: 1:4

DOC: CADJM.130/R6

**inpro.**

For More Information Visit: [Inprocorp.com](http://Inprocorp.com)