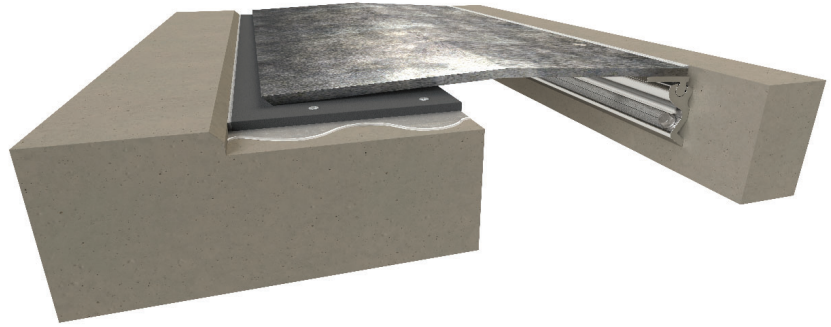


797L Series

G01/G02 - Vehicular Traffic



Movement Rating ± 50%

Product Guide



Seismic

Exterior

Interior

Heavy Duty

Fire Rated Option

Vapor Barrier Option

ADA

- ▶ Seismic cover plate system designed to meet the needs of structures open to the elements and vehicular loading.
- ▶ Full lateral shear capability of ±100% movement.
- ▶ Low profile & surface mount hinge configurations exist for maximum design flexibility.
- ▶ Heavy duty system uses a thick high strength plate and crowned profile for increased load resistance and a longer life cycle.
 - ▶ Materials handling equipment
 - ▶ Forklifts/Scissorlifts/Cherry pickers
 - ▶ High frequency (low speed) entry points for vehicular traffic
 - ▶ Class 1-4 DOT classified heavy duty vehicles
- ▶ Galvanized A36 steel standard. Stainless Steel and Aluminum options available.
- ▶ Plates are compliant with ADA requirements, and allows for a smooth transition over the joint.
- ▶ Shallow blockout ensures no interference with the rebar / cabling structure.
- ▶ High durometer EPDM pads absorb traffic vibrations and act as a noise dampening device.
- ▶ Multiple waterproofing options exist for use in conjunction with this system.

Application	System	W		S		H		B		Movement					
		Joint Width		Sightline		Height		Blockout		Lateral		Horizontal		Vertical	
		US	mm	US	mm	US	mm	US	mm	US	mm	US	mm	US	mm
Flush Low Profile Floor to Floor / Floor to Wall	797L-G01-100LP	4"	102	8"	203	3/4"	19	3 11/16"	94	4"	102	2"	51	1"	25
	797L-G01-150LP	6"	152	11 5/8"	295	3/4"	19	5 5/16"	135	6"	152	3"	76	1"	25
	797L-G01-200LP	8"	203	14"	356	3/4"	19	5 11/16"	144	8"	203	4"	102	1"	25
	797L-G01-250LP	10"	254	16 5/8"	422	3/4"	19	6 5/16"	160	10"	254	5"	127	1"	25
	797L-G01-300LP	12"	305	19 11/16"	500	3/4"	19	7 5/16"	186	12"	305	6"	152	1"	25
	797L-G01-450LP	18"	457	30"	762	7/8"	22	11 11/16"	296	18"	457	9"	229	1"	25
	797L-G01-600LP	24"	609	39 1/16"	992	7/8"	22	14 11/16"	373	24"	609	12"	305	1"	25
Surface Mount Floor to Floor	797L-G01-100SM	4"	102	12 3/8"	314	3/4"	19	4"	120	4"	102	2"	51	1"	25
	797L-G01-150SM	6"	152	15 15/16"	405	3/4"	19	5 5/8"	143	6"	152	3"	76	1"	25
	797L-G01-200SM	8"	203	18 5/16"	465	3/4"	19	6"	152	8"	203	4"	102	1"	25
	797L-G01-250SM	10"	254	20 15/16"	532	3/4"	19	6 5/8"	168	10"	254	5"	127	1"	25
	797L-G01-300SM	12"	305	23 15/16"	608	3/4"	19	7 5/8"	194	12"	305	6"	152	1"	25
	797L-G01-450SM	18"	457	34 5/16"	872	7/8"	22	12"	305	18"	457	9"	229	1"	25
	797L-G01-600SM	24"	609	43 3/8"	1102	7/8"	22	15"	381	24"	609	12"	305	1"	25

*Available in custom widths, please contact InPro Corporation for more details.

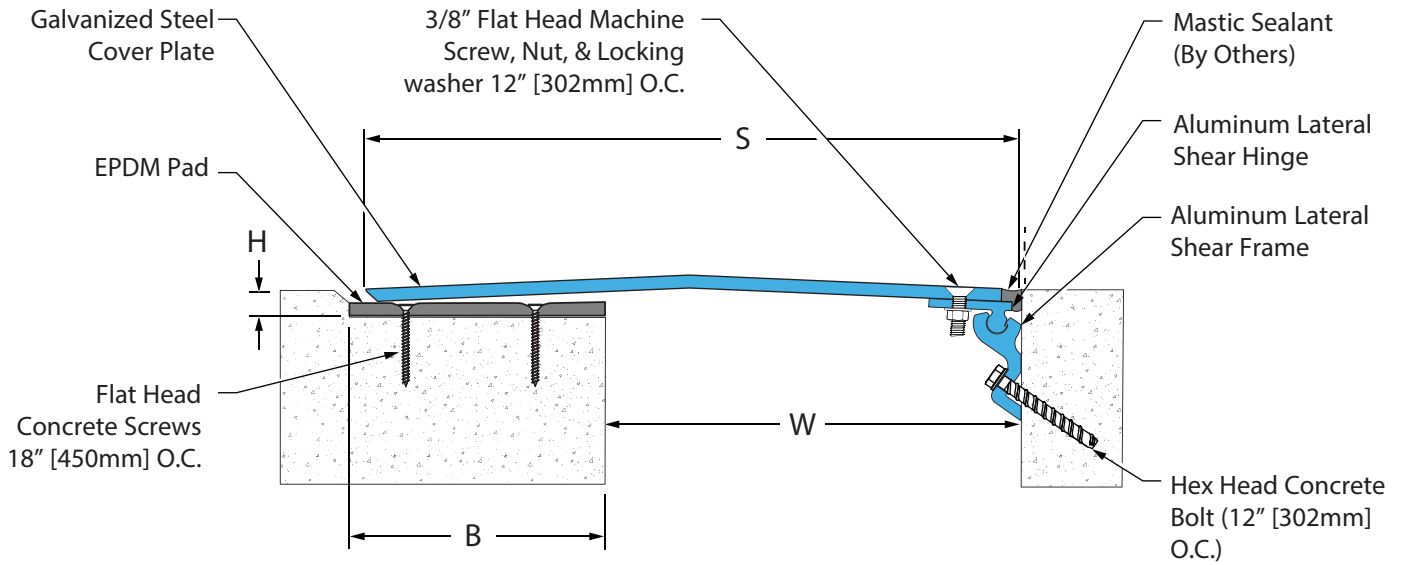
*Contact your InPro Representative for project specific loading capabilities.

IPC.3161/REV.5

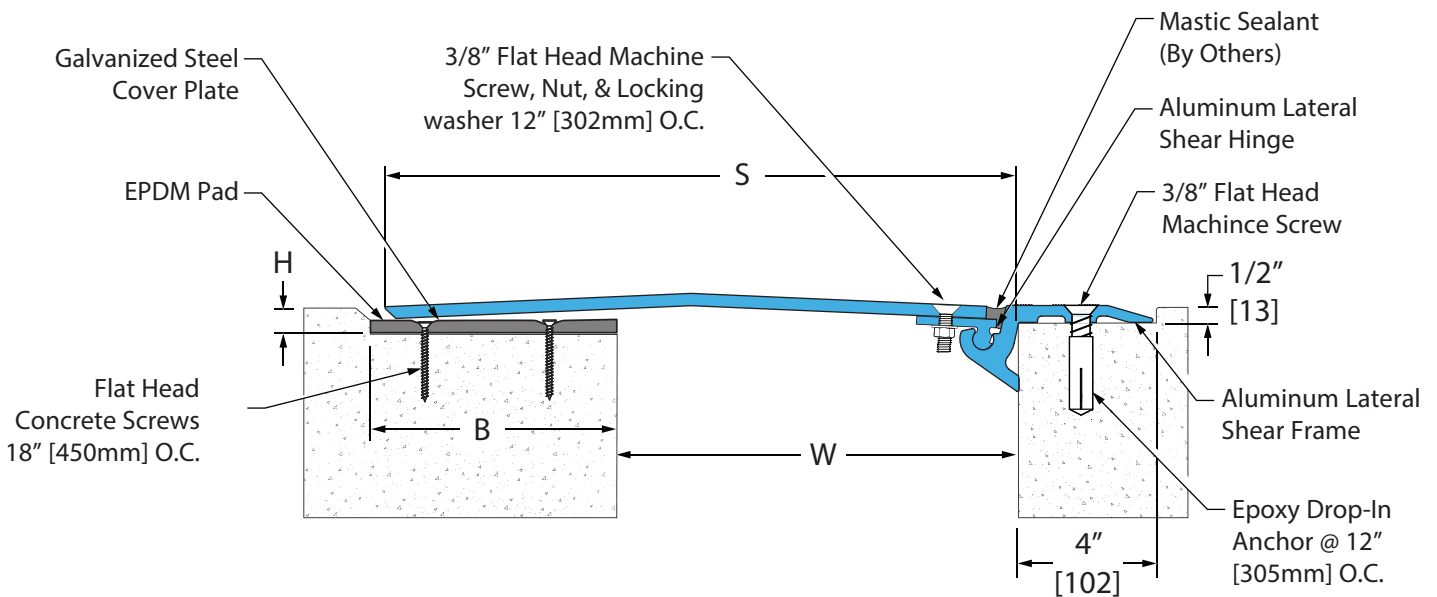
797L Series

Heavy Duty Seismic Floor Systems

797L-G01-LP (Flush/Low Profile) Floor/Floor



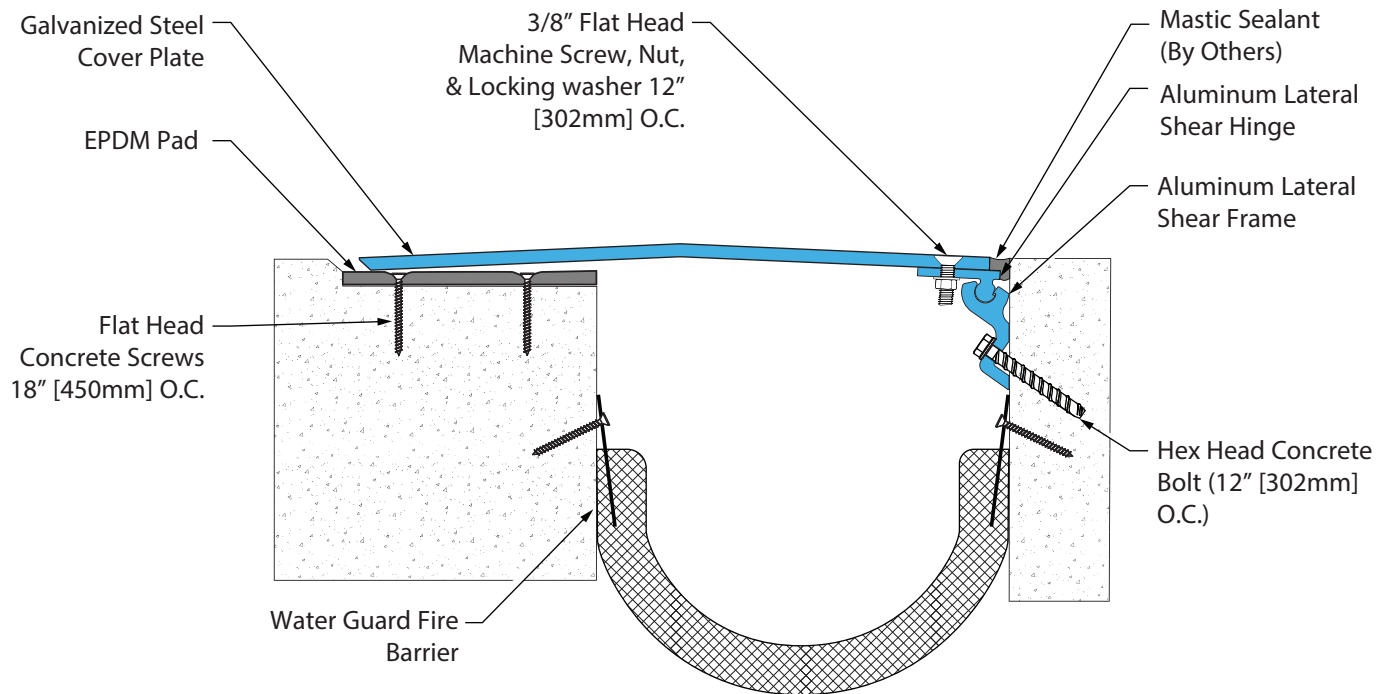
797L-G01-SM (Surface Mount) Floor/Floor



797L Series

Options

797L-G01-LP (Flush/Low Profile) W/ Water Guard Fire Barrier



797L-G01-SM (Surface Mount) W/ Waterproof Foam Seal

