

3/8" [10MM] CROWNED GALV. STEEL PLATE (10FT)
(J8C129-GS) (5° CROWN FOR LOAD RESISTANCE)

3/8" [10MM] HIGH DUROM. EPDM PAD
(JL004-TRCFPAD) FULLY ADHERED TO
DECK W/ BUTYL SEALANT OR TAPE

3/4" [19mm]
3/4" [19mm]

1/4" MAX. GAP SEALANT
(BY OTHERS)

1/4" X 1 3/4" FLAT HEAD CONC.
SCREW 18" [457mm] O.C. (JK016)

11 5/8"
[295mm]

MASTIC SEALANT (BY OTHERS)

CONT. ALUM LATERAL SHEER
FRAME (J7A972-F)

3/8" [10mm] SS FLAT HEAD
MACHINE SCREW (JKSS25)

1/2"
[13mm]

EPOXY (JK210) SS DROP-IN
@ 12" [305mm] O.C. (JKSS24)

CONT. ALUM LATERAL SHEER
HINGE (J7A970-F)

3/8-16 x 1 1/4" SS FLAT HEAD
MACHINE BOLT AND LOCKING NUT
(12" [305mm] O.C.) (JK230)

797L-G01-100SM

JOINT WIDTH		MOVEMENT ±			
US	mm	HORIZONTAL		VERTICAL	
US	mm	US	mm	US	mm
4"	102	2"	51	1"	25

FINISH: HOT DIPPED GALV.

PROJECT:

CUSTOMER:

LOCATION:

APPLICATION - HEAVY DUTY
SEISMIC LATERAL SHEER SURFACE MOUNT
FLOOR TO FLOOR SYSTEM

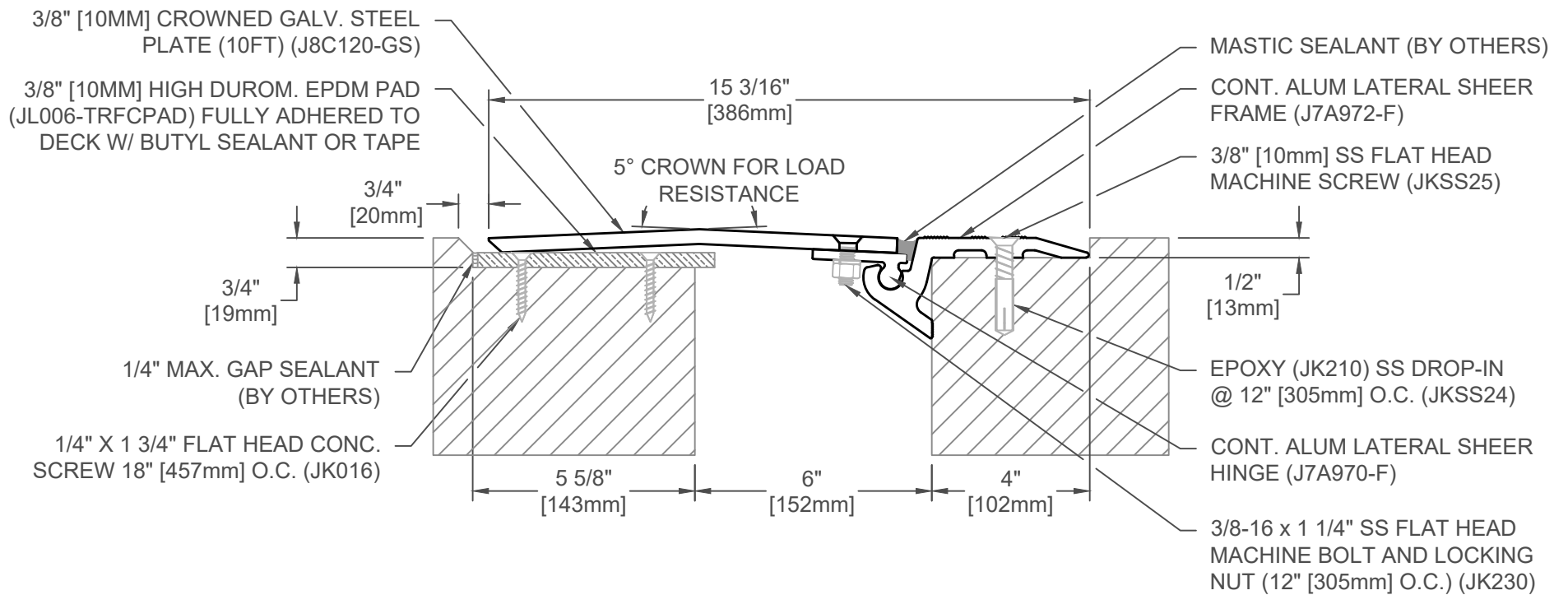
DATE: 2-11-20

SCALE: 1:4

DOC: CADJM.229/R1

inpro.

For More Information Visit: Inprocorp.com



797L-G01-150SM

JOINT WIDTH		MOVEMENT ±			
		HORIZONTAL		VERTICAL	
US	mm	US	mm	US	mm
6"	152	3"	75	1"	25

FINISH: HOT DIPPED GALV.

PROJECT:

CUSTOMER:

LOCATION:

APPLICATION - HEAVY DUTY
SEISMIC LATERAL SHEER SURFACE MOUNT
FLOOR TO FLOOR SYSTEM

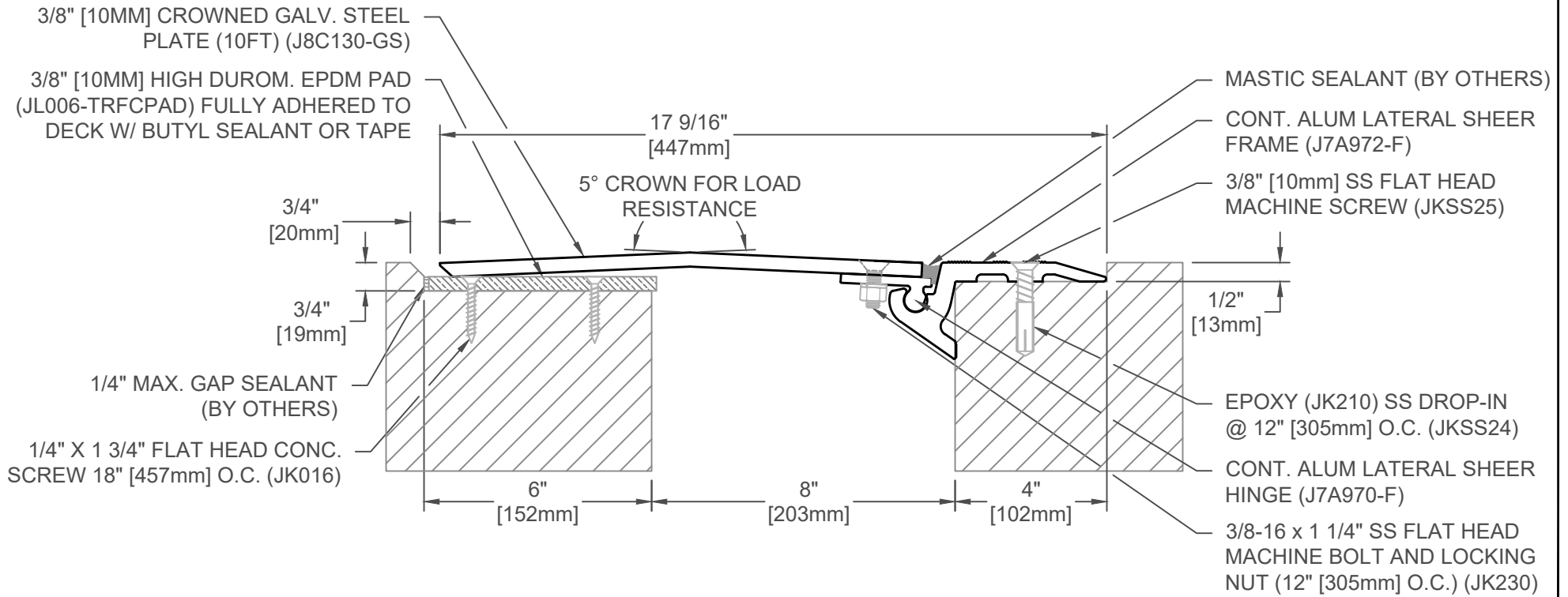
DATE: 2-11-20

SCALE: 1:4

DOC: CADJM.229/R1

inpro.

For More Information Visit: Inprocorp.com



797L-G01-200SM

JOINT WIDTH		MOVEMENT ±			
		HORIZONTAL		VERTICAL	
US	mm	US	mm	US	mm
8"	203	4"	102	1"	25

FINISH: HOT DIPPED GALV.

PROJECT:

CUSTOMER:

LOCATION:

APPLICATION - HEAVY DUTY
SEISMIC LATERAL SHEER SURFACE MOUNT
FLOOR TO FLOOR SYSTEM

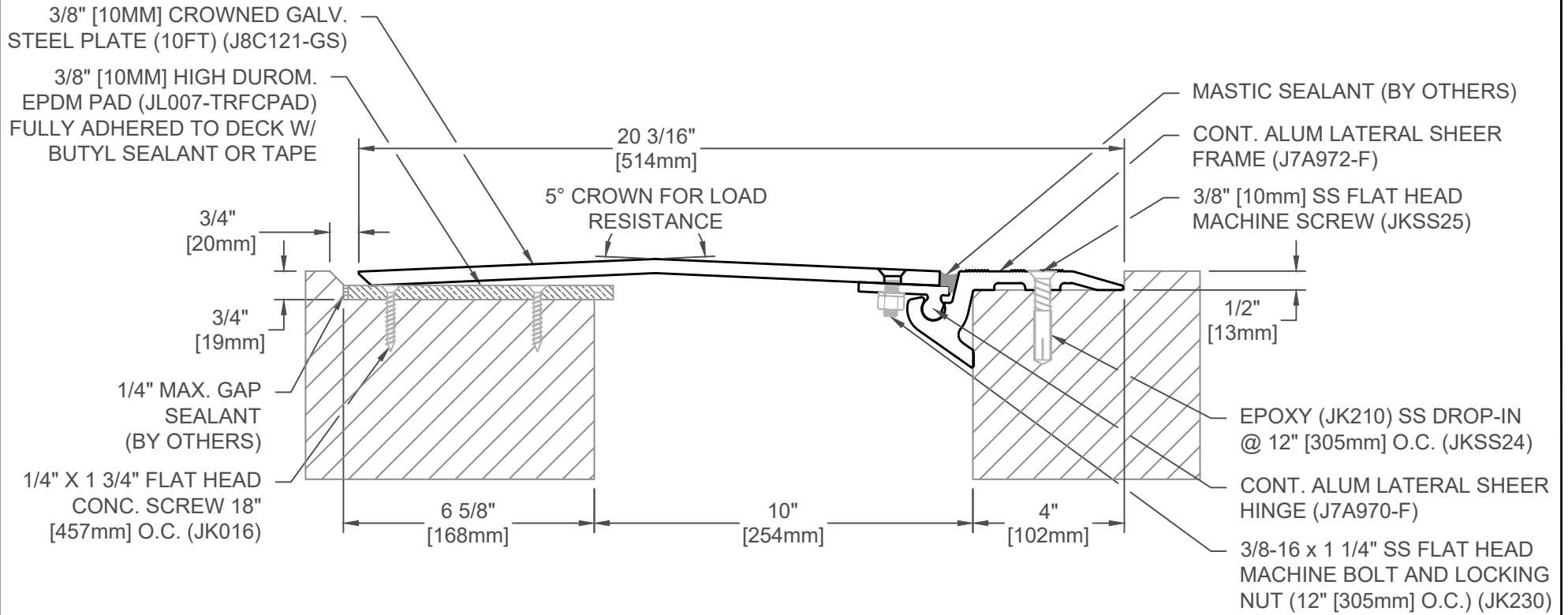
DATE: 2-11-20

SCALE: 1:4

DOC: CADJM.229/R1

inpro.

For More Information Visit: Inprocorp.com



797L-G01-250SM

JOINT WIDTH		MOVEMENT ±			
		HORIZONTAL		VERTICAL	
US	mm	US	mm	US	mm
10"	254	5"	127	1"	25

FINISH: HOT DIPPED GALV.

PROJECT:

CUSTOMER:

LOCATION:

APPLICATION - HEAVY DUTY
SEISMIC LATERAL SHEER SURFACE MOUNT
FLOOR TO FLOOR SYSTEM

DATE: 2-11-20

SCALE: 1:4

DOC: CADJM.229/R1

inpro.

For More Information Visit: Inprocorp.com

3/8" [10mm] CROWNED GALV.
STEEL PLATE (8FT) (J8C122-GS)

3/8" [10MM] HIGH DUROM.
EPDM PAD (JL008-TRFCPAD)
FULLY ADHERED TO DECK W/
BUTYL SEALANT OR TAPE

3/4"
[20mm]

3/4"
[19mm]

1/4" MAX. GAP SEALANT
(BY OTHERS)

1/4" X 1 3/4" FLAT HEAD CONC.
SCREW 18" [457mm] O.C. (JK016)

23 3/16"
[590mm]

5° CROWN FOR LOAD
RESISTANCE

7 5/8"
[194mm]

12"
[305mm]

4"
[102mm]

MASTIC SEALANT (BY OTHERS)

CONT. ALUM LATERAL SHEER
FRAME (J7A972-F)

3/8" [10mm] SS FLAT HEAD MACHINE
SCREW (JKSS25)

1/2"
[13mm]

EPOXY (JK210) SS DROP-IN @ 12"
[305mm] O.C. (JKSS24)

CONT. ALUM LATERAL SHEER HINGE
(J7A970-F)

3/8-16 x 1 1/4" SS FLAT HEAD
MACHINE BOLT AND LOCKING NUT
(12" [305mm] O.C.) (JK230)

797L-G01-300SM

JOINT WIDTH		MOVEMENT ±			
		HORIZONTAL		VERTICAL	
US	mm	US	mm	US	mm
12"	305	6"	152	1"	25

FINISH: HOT DIPPED GALV.

PROJECT:

CUSTOMER:

LOCATION:

APPLICATION - HEAVY DUTY
SEISMIC LATERAL SHEER SURFACE MOUNT
FLOOR TO FLOOR SYSTEM

DATE: 9-24-20

SCALE: 1:6

DOC: CADJM.229/R1

inpro.

For More Information Visit: Inprocorp.com

1/2" [13MM] CROWNED GALV. STEEL PLATE (6FT) (J8C131-GS)

3/8" [10MM] HIGH DUROM. EPDM PAD (JL012-TRFCPAD) FULLY ADHERED TO DECK W/ BUTYL SEALANT OR TAPE

3/4" [20mm]

7/8" [22mm]

1/4" MAX. GAP SEALANT (BY OTHERS)

1/4" X 1 3/4" FLAT HEAD CONC. SCREW 18" [457mm] O.C. (JK016)

33 9/16" [853mm]

5° CROWN FOR LOAD RESISTANCE

12" [305mm]

18" [457mm]

4" [102mm]

MASTIC SEALANT (BY OTHERS)

CONT. ALUM LATERAL SHEER FRAME (J7A972-F)

3/8" [10mm] SS FLAT HEAD MACHINE SCREW (JKSS25)

1/2" [13mm]

EPOXY (JK210) SS DROP-IN @ 12" [305mm] O.C. (JKSS24)

CONT. ALUM LATERAL SHEER HINGE (J7A970-F)

3/8-16 x 1 1/4" SS FLAT HEAD MACHINE BOLT AND LOCKING NUT (12" [305mm] O.C.) (JK230)

797L-G01-450SM

JOINT WIDTH		MOVEMENT ±			
		HORIZONTAL		VERTICAL	
US	mm	US	mm	US	mm
18"	457	9"	229	1"	25

FINISH: HOT DIPPED GALV.

PROJECT:

CUSTOMER:

LOCATION:

APPLICATION - HEAVY DUTY
SEISMIC LATERAL SHEER SURFACE MOUNT
FLOOR TO FLOOR SYSTEM

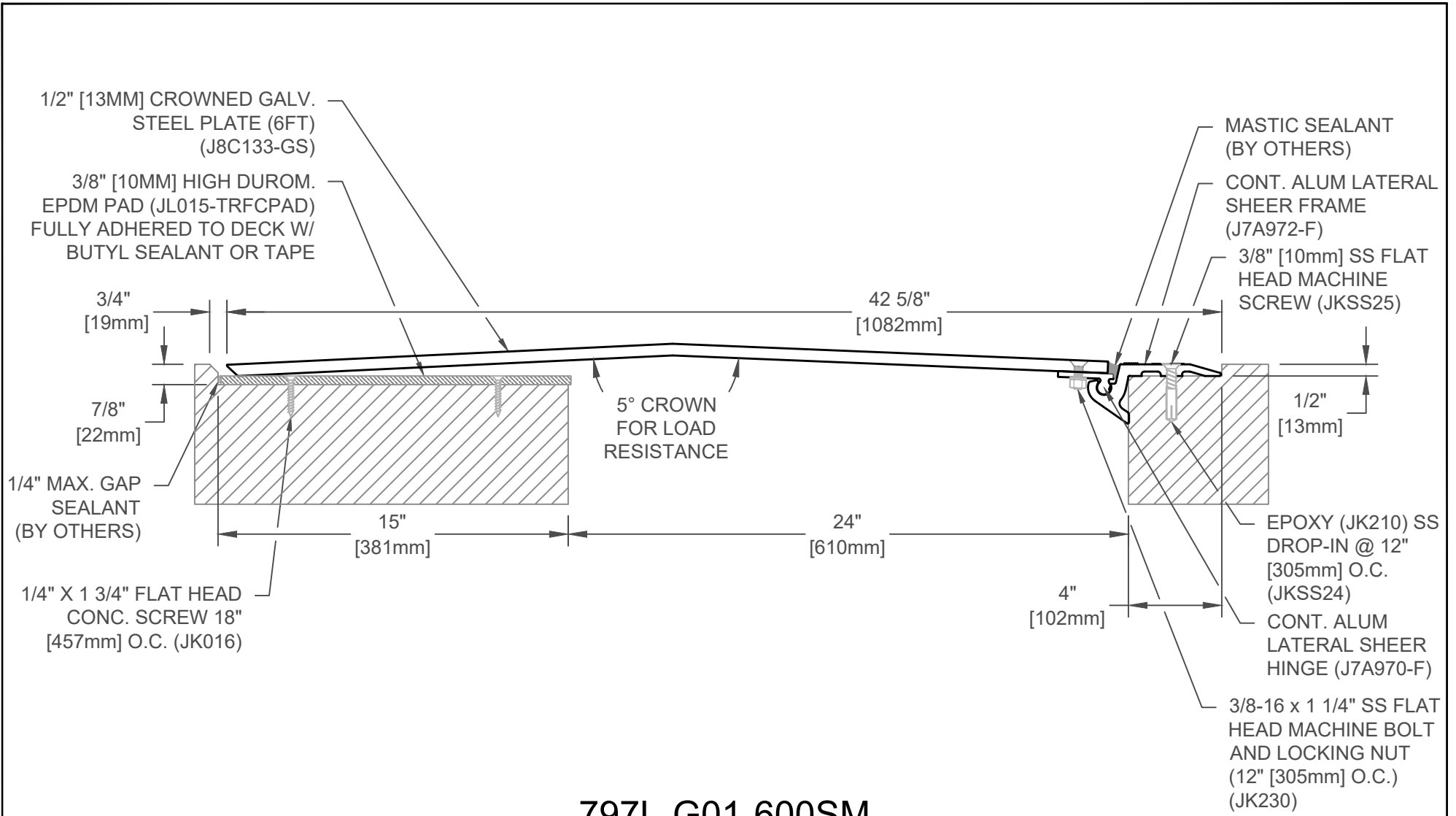
DATE: 9-24-20

SCALE: 1:6

DOC: CADJM.229/R1

inpro.

For More Information Visit: Inprocorp.com



797L-G01-600SM

JOINT WIDTH		MOVEMENT ±			
		HORIZONTAL		VERTICAL	
US	mm	US	mm	US	mm
24"	610	12"	305	1"	25

FINISH: HOT DIPPED GALV.

PROJECT:

CUSTOMER:

LOCATION:

APPLICATION - HEAVY DUTY
SEISMIC LATERAL SHEAR SURFACE MOUNT
FLOOR TO FLOOR SYSTEM

DATE: 9-25-20

SCALE: 1:6

DOC: CADJM.229/R1

