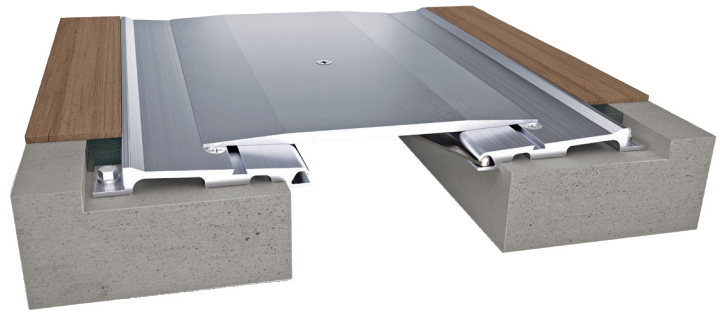


787NS Series

A01 - Floor to Floor

A02 - Floor to Wall



Movement Rating \pm 50% (100%)

Product Guide



Thermal



Interior



Fire Rated Option



Vapor Barrier Option



Seismic



Heavy Duty

- ▶ Capable of meeting 50% \pm (100%) multi-directional dynamic seismic joint.
- ▶ Recessed cover plate system with a smooth surface is ideal for addressing movement of rolling, heavy equipment applications.
- ▶ Tapered plate and frames provide a seamless, ADA compliant design that constantly levels itself and maintains a flush condition through daily joint movement.
- ▶ 1" [25mm] frame depth ensures no interference in rebar / cabling structure.
- ▶ Applies to a range of project types with heavier equipment movement. Such as: Data Centers, Modular construction and Facility Maintenance routes through otherwise standard building conditions.
- ▶ Most commonly deployed in interior applications. If exterior joints are required, utilize the 787 series with a serrated cover for slip resistance.

Application	System	W		H		S		B		Movement +/-					
		Joint Width		Frame Height		Sightline		Blockout		Minimum		Maximum		Vertical	
		US	mm	US	mm	US	mm	US	mm	US	mm	US	mm	US	mm
Floor to Floor	787NS-A01-050	2"	50	1"	25	13 1/2"	343	7"	177	1"	25	5"	127	1"	25
	787NS-A01-075	3"	76	1"	25	13 1/2"	343	6 1/2"	165	1 1/2"	38	6"	152	1"	25
	787NS-A01-100	4"	102	1"	25	13 1/2"	343	6"	152	2"	51	8"	203	1"	25
	787NS-A01-125	5"	127	1"	25	14 1/2"	369	6 1/2"	165	2 1/2"	25	10"	254	1 1/4"	32
	787NS-A01-150	6"	152	1"	25	16 5/16"	415	6 1/2"	165	3"	76	12"	305	1 1/2"	38
	787NS-A01-175	7"	178	1"	25	17 9/16"	446	6 13/16"	172	3 1/2"	89	12"	305	1 3/4"	44
	787NS-A01-200	8"	203	1"	25	18 1/16"	459	6 1/2"	165	4"	102	13"	330	2"	51
Floor to Wall	787NS-A02-050	2"	50	1"	25	7 3/4"	197	7"	177	1"	25	4 1/2"	114	1"	25
	787NS-A02-075	3"	76	1"	25	8 1/4"	210	6 1/2"	165	1"	25	4 1/2"	114	1"	25
	787NS-A02-100	4"	102	1"	25	8 3/4"	223	6"	152	1"	25	8"	203	1"	25
	787NS-A02-125	5"	127	1"	25	9 3/4"	248	6 1/2"	165	1 1/4"	32	8"	203	1 1/4"	32
	787NS-A02-150	6"	152	1"	25	11"	280	6 1/2"	165	1 1/2"	38	8 1/2"	216	1 1/2"	38
	787NS-A02-175	7"	178	1"	25	12 1/4"	312	6 13/16"	172	1 3/4"	44	8"	203	1 3/4"	44
	787NS-A02-200	8"	203	1"	25	13"	331	6 1/2"	165	2"	51	12"	305	2"	51

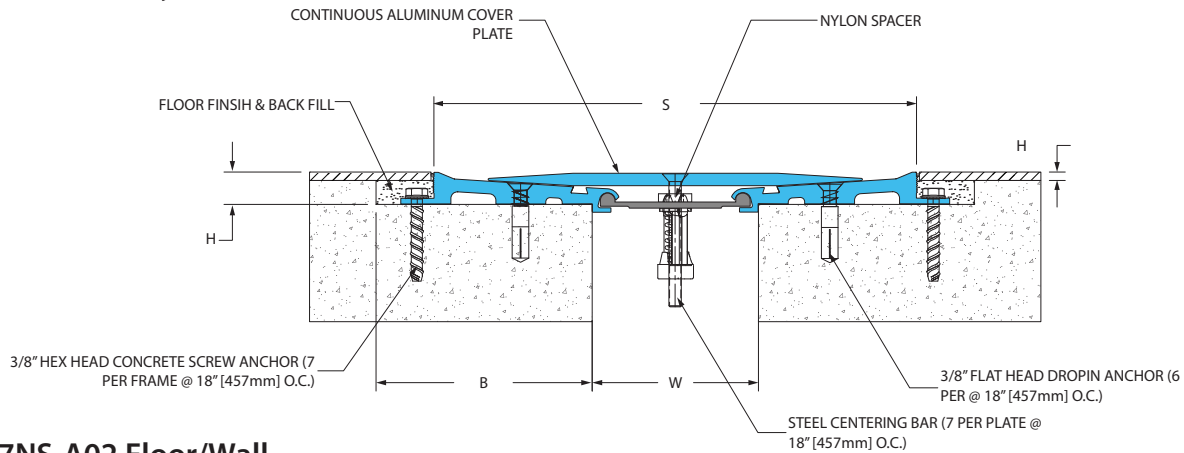
*Contact your InPro Representative for project specific loading capabilities.

IPC.3420/REV

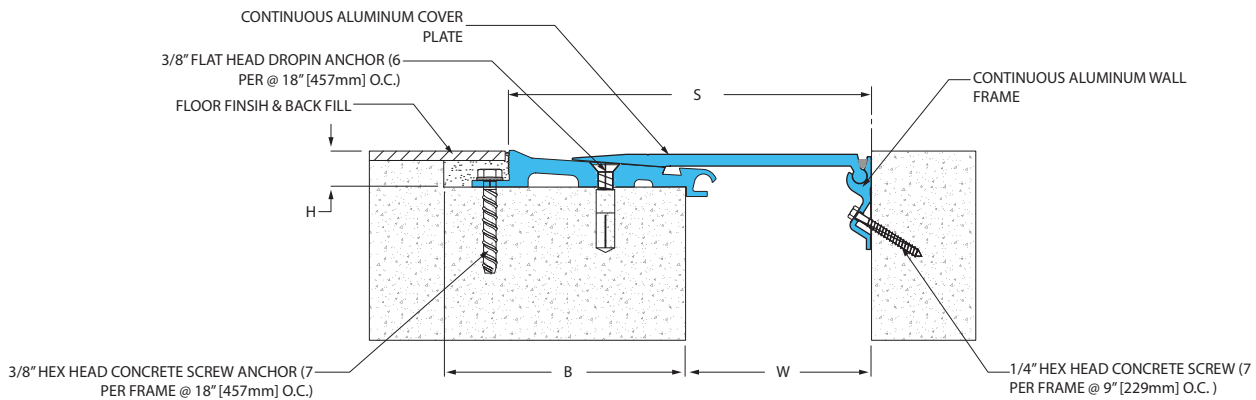
787NS Series

Heavy Duty Seismic Floor Systems

787NS-A01 Floor/Floor (4" (100mm) system shown)



787NS-A02 Floor/Wall (4" (100mm) system shown)



787NS Series Options

787NS-A01 Floor/Floor With F140 (4" (100mm) system shown)

