

3/8" x 1 1/4" [M10x32]  
FLAT HEAD DROPIN  
ANCHOR (6 PER FRAME  
@ 18" [457mm] O.C.)  
(JK214)

1/4" MAX. GAP SEALANT  
(BY OTHERS)

CONT. ALUM.  
RECESSED FRAME  
(J7A010-F)

1"  
[25mm]

1"  
[25mm]

HIGH STRENGTH  
EPOXY GROUT (BY  
OTHERS)

HEX HEAD CONC.  
SCREW (7 PER FRAME  
@ 18" [457mm] O.C.)  
(JK173)

7 3/4"  
[197mm]

1"  
[25mm]

7"  
[177mm]  
MIN. DOUBLE BLOCKOUT

2"  
[51mm]

FLOOR OR WALL  
CONDITIONS

CONT. ALUM. HALF  
PLATE (J4C012)

SILICONE SEALANT  
(BY OTHERS)

CONT. ALUM. WALL  
FRAME (J4A007)

1/4" x 2 1/4" [M6x56]  
HEX HEAD  
CONCRETE SCREW  
(7 PER FRAME @ 9"  
[229mm] O.C.) (JK001)

## 787NS-A02-050

JOINT WIDTH		MINIMUM		MOVEMENT MAXIMUM		VERTICAL	
US	mm	US	mm	US	mm	US	mm
2"	50	1"	25	3 1/2	89	1"	25

FINISH: MILL

PROJECT:

CUSTOMER:

LOCATION:

APPLICATION-  
NEW-TO-EXISTING AND/OR  
FLOOR TO FLOOR AND/OR  
FLOOR TO WALL CONDITIONS

DATE: 10-10-22

SCALE: 1:2

DOC: CADJM.247/R3

**inpro.**

For More Information Visit: [Inprocorp.com](http://Inprocorp.com)

3/8" x 1 1/4" [M10x32]  
FLAT HEAD DROPIN  
ANCHOR (6 PER FRAME  
@ 18" [457mm] O.C.)  
(JK214)

1/4" MAX. GAP SEALANT  
(BY OTHERS)

CONT. ALUM.  
RECESSED  
FRAME (J7A010-F)

1"  
[25mm]

1"  
[25mm]

HIGH STRENGTH  
EPOXY GROUT  
(BY OTHERS)

HEX HEAD CONC.  
SCREW (7 PER  
FRAME @ 18"  
[457mm] O.C.)  
(JK173)

8 1/4"  
[210mm]

CONT. ALUM. HALF  
PLATE (J4C012)  
FLOOR TO WAL  
CONDITIONS

SILICONE SEALANT  
(BY OTHERS)

CONT. ALUM. WALL  
FRAME (J4A007)

1/4" x 2 1/4" [M6x56] HEX  
HEAD CONCRETE  
SCREW (7 PER FRAME @  
9" [229mm] O.C.) (JK001)

1/2"  
[13mm]  
6 1/2"  
[165mm]  
MIN. DOUBLE BLOCKOUT  
3"  
[76mm]

### 787NS-A02-075

JOINT WIDTH		MINIMUM		MOVEMENT MAXIMUM		VERTICAL	
US	mm	US	mm	US	mm	US	mm
3"	76	1 1/2"	50	4 1/2"	114	1"	25

FINISH: MILL
PROJECT:
CUSTOMER:
LOCATION:

APPLICATION-  
NEW-TO-EXISTING AND/OR  
FLOOR TO FLOOR AND/OR  
FLOOR TO WALL CONDITIONS

DATE:	10-10-22
SCALE:	1:2
DOC:	CADJM.247/R3



For More Information Visit: [Inprocorp.com](http://Inprocorp.com)

3/8" x 1 1/4" [M10x32]  
FLAT HEAD DROPIN  
ANCHOR (6 PER FRAME  
@ 18" [457mm] O.C.)  
(JK214)

CONT. ALUM.  
RECESSED FRAME  
(J7A010-F)

1/4" MAX. GAP SEALANT  
(BY OTHERS)

1"  
[25mm]

8 3/4"  
[223mm]

CONT. ALUM. HALF  
PLATE (J4C012)

FLOOR OR WALL  
CONDITIONS

SILICONE SEALANT  
(BY OTHERS)

CONT. ALUM. WALL  
FRAME (J4A008)

1/4" x 2 1/4" [M6x56] HEX  
HEAD CONCRETE  
SCREW (7 PER FRAME @  
9" [229mm] O.C.) (JK001)

HIGH STRENGTH  
EPOXY GROUT  
(BY OTHERS)

6"  
[152mm]  
MIN. BLOCKOUT

4"  
[102mm]

HEX HEAD CONC.  
SCREW (7 PER  
FRAME @ 18"  
[457mm] O.C.)  
(JK173)

## 787NS-A02-100

JOINT WIDTH		MINIMUM		MOVEMENT MAXIMUM		VERTICAL	
US	mm	US	mm	US	mm	US	mm
4"	102	2"	51	8"	203	1"	25

FINISH: MILL

PROJECT:

CUSTOMER:

LOCATION:

APPLICATION-  
NEW-TO-EXISTING AND/OR  
FLOOR TO FLOOR AND/OR  
FLOOR TO WALL CONDITIONS

DATE: 10-10-22

SCALE: 1:2

DOC: CADJM.247/R3

**inpro.**

For More Information Visit: [Inprocorp.com](http://Inprocorp.com)

3/8" x 1 1/4" [M10x32] FLAT HEAD  
DROPIN ANCHOR (6 PER FRAME @  
18" [457mm] O.C.) (JK214)

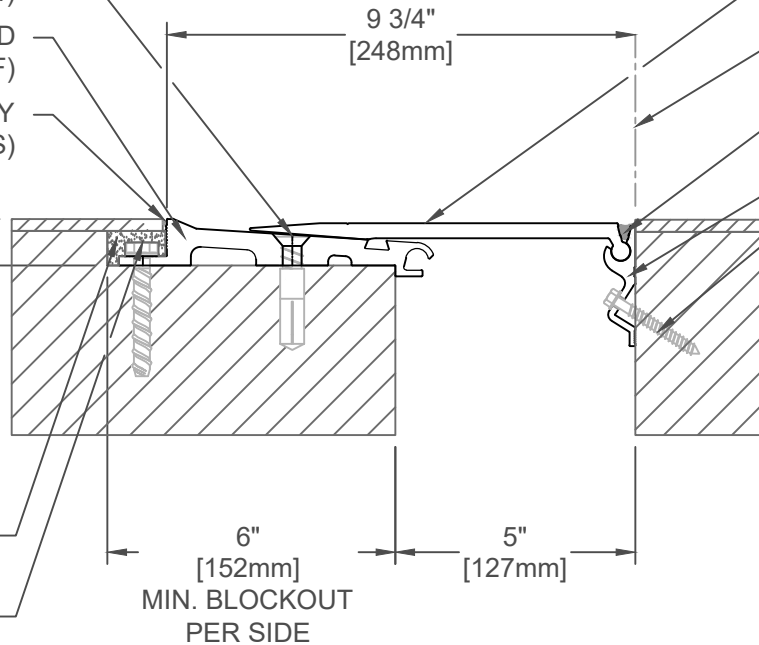
CONT. ALUM. RECESSED  
FRAME (J7A010-F)

1/4" MAX. GAP SEALANT (BY  
OTHERS)

1"  
[25mm]

HIGH STRENGTH EPOXY  
GROUT (BY OTHERS)

HEX HEAD CONC. SCREW (7  
PER FRAME @ 18" [457mm]  
O.C.) (JK173)



CONT. ALUM. HALF PLATE  
(J4C013)

FLOOR OR WALL  
CONDITIONS

SILICONE SEALANT (BY  
OTHERS)

CONT. ALUM. WALL FRAME (J4A008)

1/4" x 2 1/4" [M6x56] HEX HEAD  
CONCRETE SCREW (7 PER FRAME @ 9"  
[229mm] O.C.) (JK001)

## 787NS-A02-125

JOINT WIDTH		MINIMUM		MOVEMENT MAXIMUM		VERTICAL	
US	mm	US	mm	US	mm	US	mm
5"	127	2 1/2	64	8"	203	1	25

FINISH: MILL

PROJECT:

CUSTOMER:

LOCATION:

APPLICATION-  
NEW-TO-EXISTING AND/OR  
FLOOR TO FLOOR AND/OR  
FLOOR TO WALL CONDITIONS

DATE: 10-10-22

SCALE: 1:4

DOC: CADJM.247/R3

**inpro.**

For More Information Visit: [Inprocorp.com](http://Inprocorp.com)

3/8" x 1 1/4" [M10x32] FLAT HEAD  
DROPIN ANCHOR (6 PER FRAME @  
18" [457mm] O.C.) (JK214)

CONT. ALUM. RECESSED  
FRAME (J7A011)

1/4" MAX. GAP SEALANT (BY  
OTHERS)

1"  
[25mm]

HIGH STRENGTH EPOXY  
GROUT (BY OTHERS)

HEX HEAD CONC. SCREW (7  
PER FRAME @ 18" [457mm]  
O.C.) (JK173)

MIN. BLOCKOUT

1/4"  
[6mm]

6 1/2"  
[165mm]

6"  
[152mm]

11"  
[280mm]

CONT. ALUM. HALF PLATE  
(J4C013)

FLOOR OR WALL  
CONDITIONS

SILICONE SEALANT (BY  
OTHERS)

CONT. ALUM. WALL FRAME (J4A008)

1/4" x 2 1/4" [M6x56] HEX HEAD  
CONCRETE SCREW (7 PER FRAME @ 9"  
[229mm] O.C.) (JK001)

## 787NS-A02-150

JOINT WIDTH		MOVEMENT					
US	mm	MINIMUM		MAXIMUM		VERTICAL	
US	mm	US	mm	US	mm	US	mm
6"	152	2 1/2"	64	8 1/2"	216	1	25

FINISH: MILL
PROJECT:
CUSTOMER:
LOCATION:

APPLICATION-  
NEW-TO-EXISTING AND/OR  
FLOOR TO FLOOR AND/OR  
FLOOR TO WALL CONDITIONS

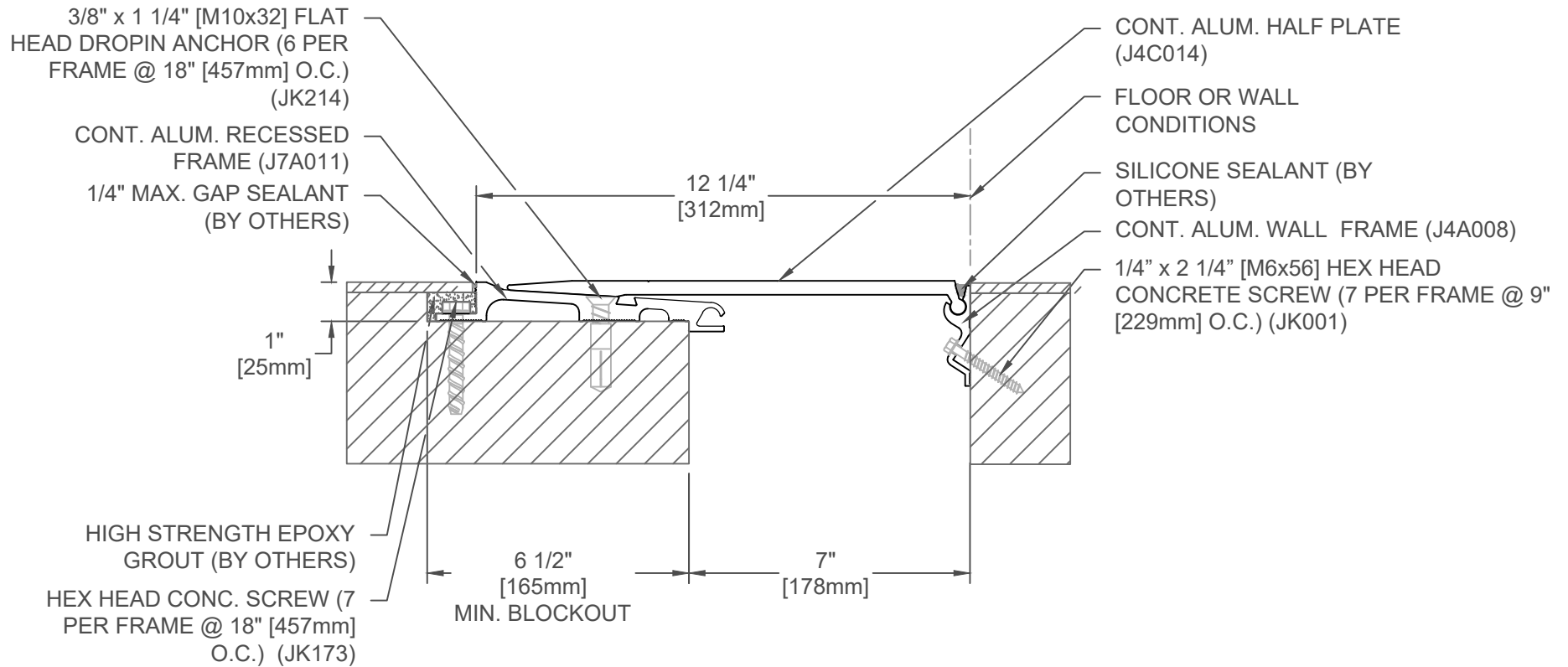
DATE: 10-10-22

SCALE: 1:4

DOC: CADJM.247/R3

**inpro.**

For More Information Visit: [Inprocorp.com](http://Inprocorp.com)



## 787NS-A02-175

JOINT WIDTH		MINIMUM		MOVEMENT MAXIMUM		VERTICAL	
US	mm	US	mm	US	mm	US	mm
7"	178	3 1/2	89	12"	203	1	25

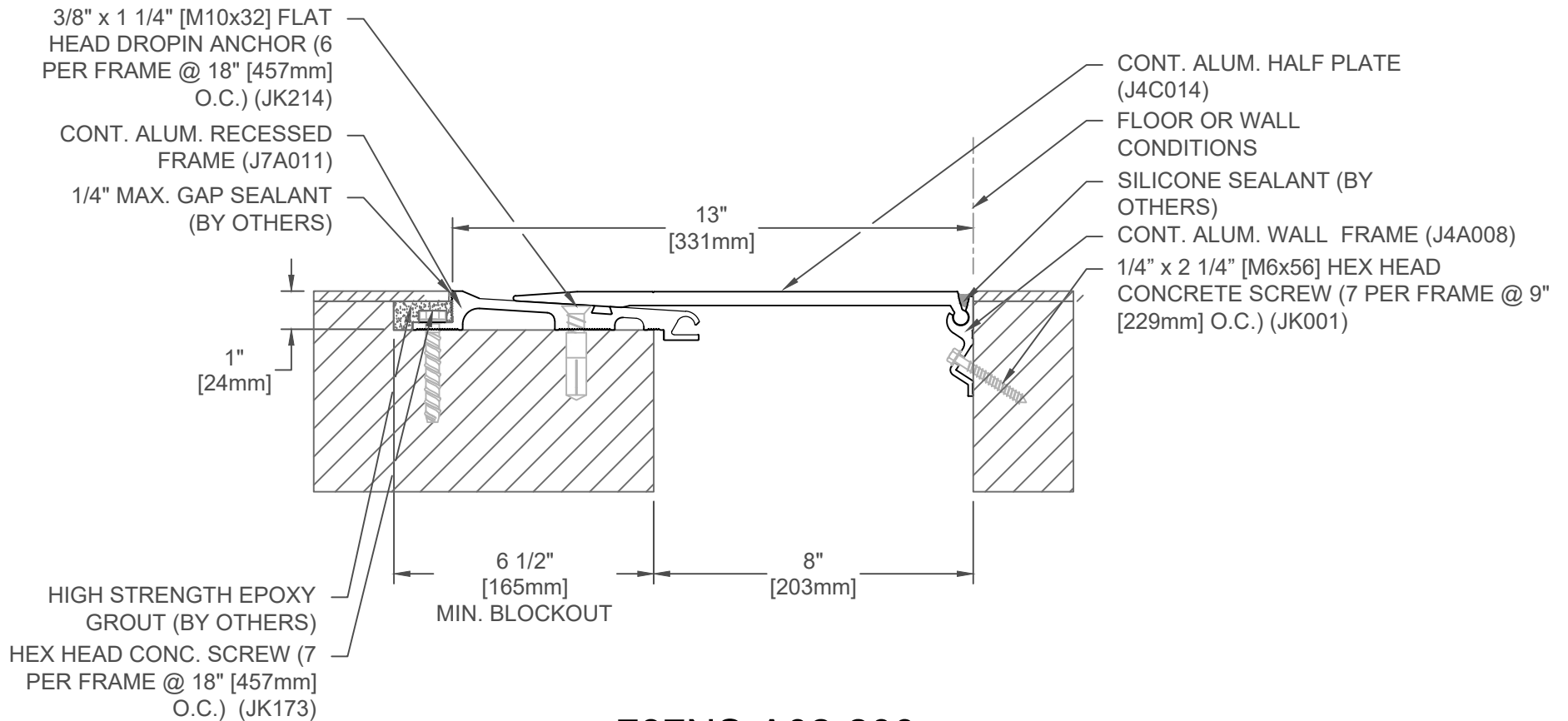
FINISH: MILL
PROJECT:
CUSTOMER:
LOCATION:

APPLICATION-  
NEW-TO-EXISTING AND/OR  
FLOOR TO FLOOR AND/OR  
FLOOR TO WALL CONDITIONS

DATE:	10-10-22
SCALE:	1:4
DOC:	CADJM.247/R3

**inpro.**

For More Information Visit: [Inprocorp.com](http://Inprocorp.com)



## 787NS-A02-200

JOINT WIDTH		MOVEMENT					
US	mm	MINIMUM		MAXIMUM		VERTICAL	
US	mm	US	mm	US	mm	US	mm
8"	203	4"	102	12"	305	1	25

FINISH: MILL
PROJECT:
CUSTOMER:
LOCATION:

APPLICATION-  
NEW-TO-EXISTING AND/OR  
FLOOR TO FLOOR AND/OR  
FLOOR TO WALL CONDITIONS

DATE:	10-10-22
SCALE:	1:4
DOC:	CADJM.247/R3

**inpro.**

For More Information Visit: [Inprocorp.com](http://Inprocorp.com)