

787-A01-100

JOINT WIDTH		MOVEMENT ±			
		HORIZONTAL		VERTICAL	
US	mm	US	mm	US	mm
4"	102	2"	51	1"	25

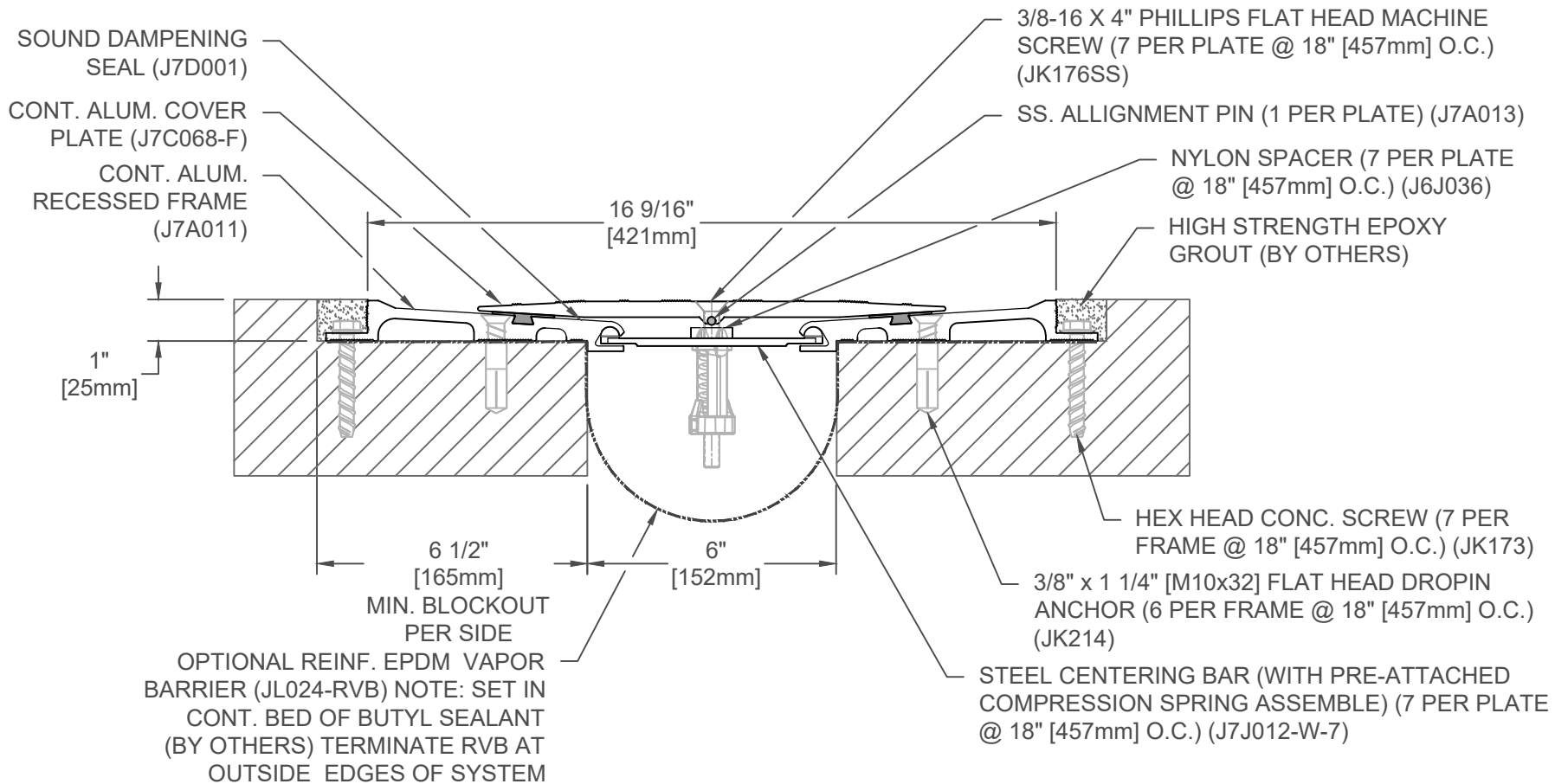
FINISH: MILL
PROJECT:
CUSTOMER:
LOCATION:

APPLICATION-
FLOOR/FLOOR
PARKING STRUCTURE

DATE:	4-23-24
SCALE:	1:4
DOCCADJM.041/R14	

inpro.

For More Information Visit: Inprocorp.com



787-A01-150

JOINT WIDTH		MOVEMENT ±			
		HORIZONTAL		VERTICAL	
US	mm	US	mm	US	mm
6"	152	3"	76	1 1/2"	38

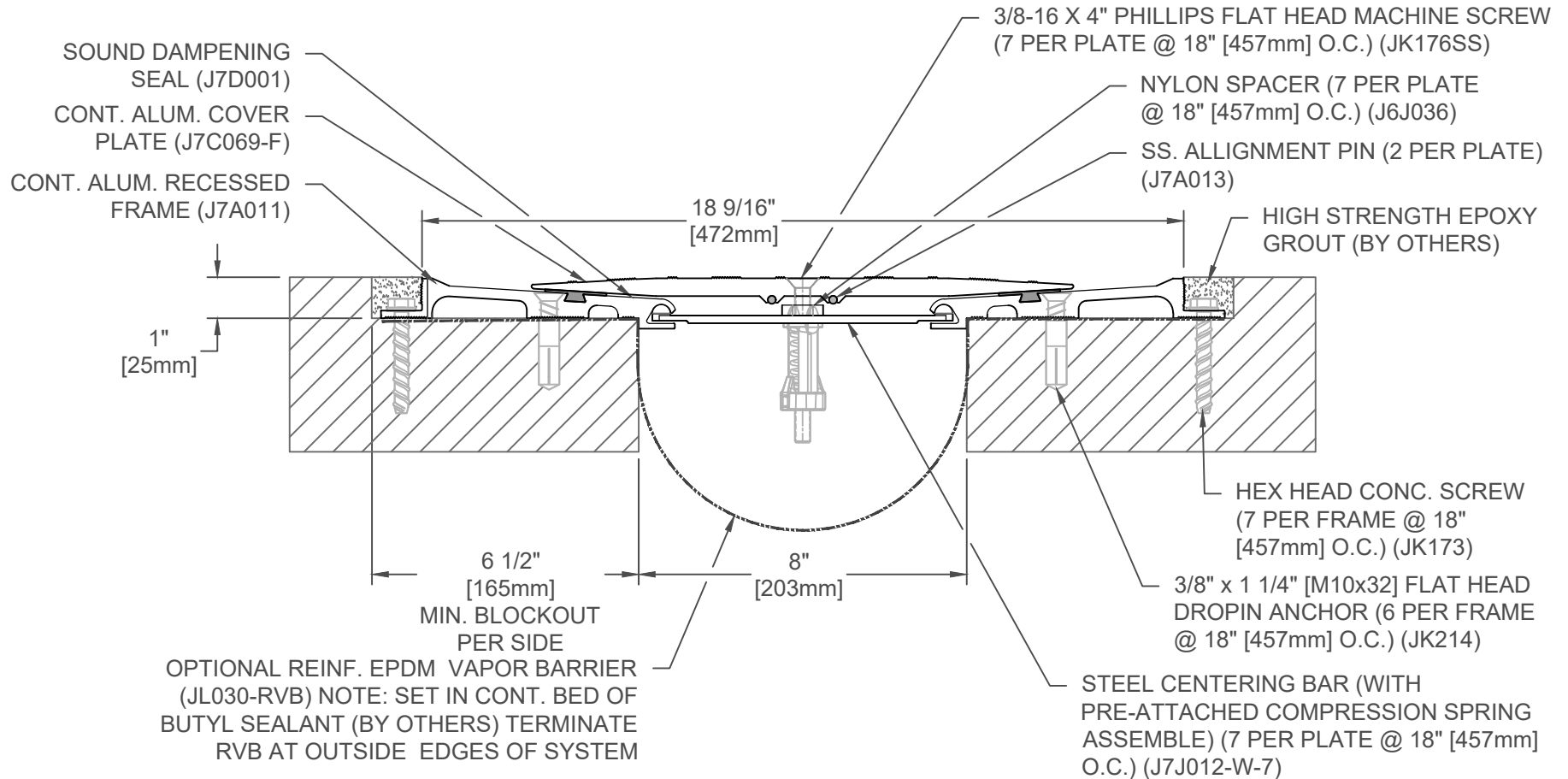
FINISH: MILL
PROJECT:
CUSTOMER:
LOCATION:

APPLICATION-
FLOOR/FLOOR
PARKING STRUCTURE

DATE:	4-23-24
SCALE:	1:4
DOCCADJM.041/R14	

inpro.

For More Information Visit: Inprocorp.com



787-A01-200

JOINT WIDTH		MOVEMENT ±			
US	mm	HORIZONTAL		VERTICAL	
US	mm	US	mm	US	mm
8"	203	4"	102	2"	51

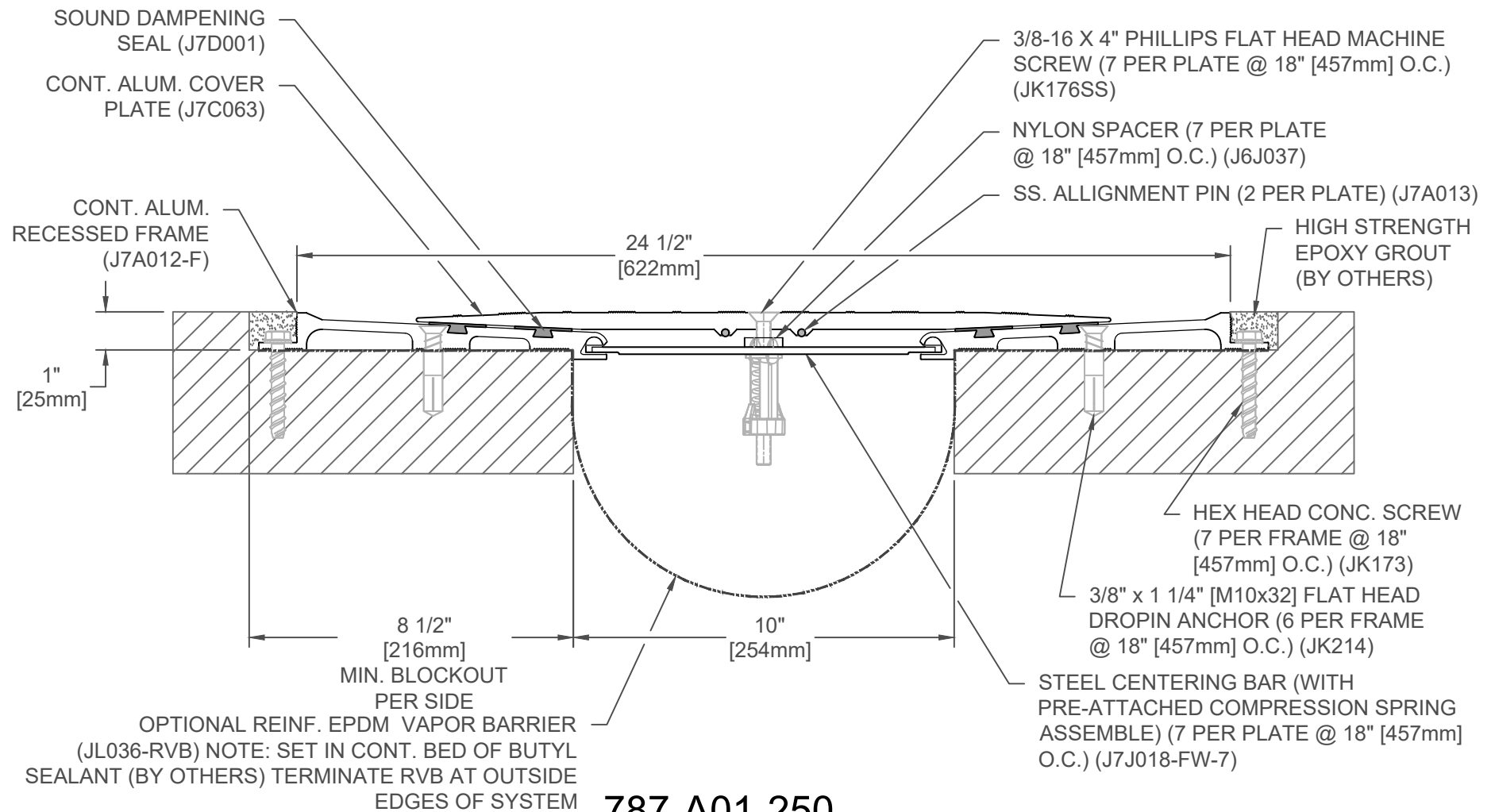
FINISH: MILL
PROJECT:
CUSTOMER:
LOCATION:

APPLICATION-
FLOOR/FLOOR
PARKING STRUCTURE

DATE:	4-23-24
SCALE:	1:4
DOCCADJM.041/R14	

inpro.

For More Information Visit: Inprocorp.com



787-A01-250

JOINT WIDTH		MOVEMENT ±			
		HORIZONTAL		VERTICAL	
US	mm	US	mm	US	mm
10"	254	5"	127	2 1/2"	64

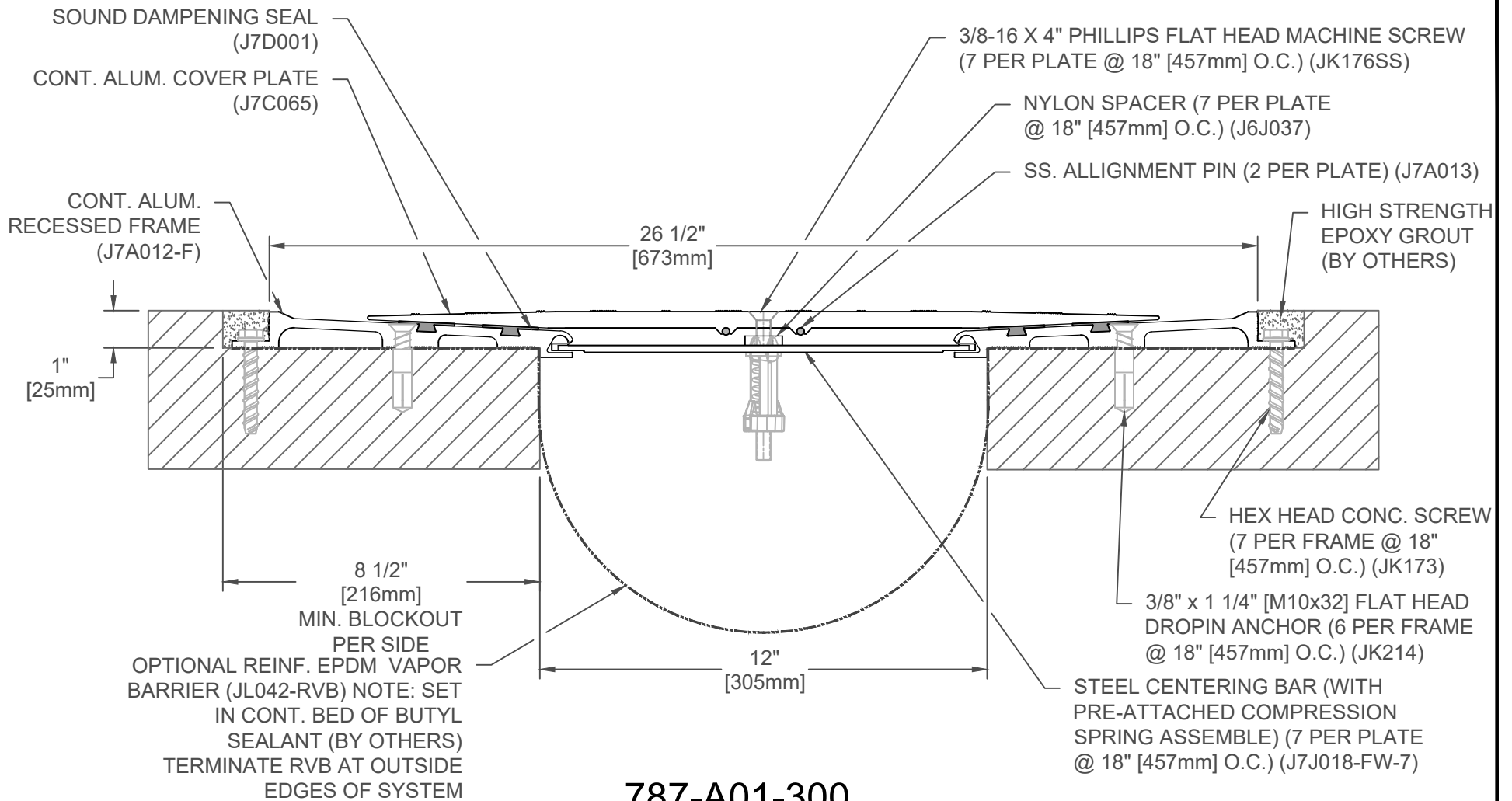
FINISH: MILL
PROJECT:
CUSTOMER:
LOCATION:

APPLICATION-
FLOOR/FLOOR
PARKING STRUCTURE

DATE:	4-23-24
SCALE:	1:4
DOCCADJM.041/R14	

inpro.

For More Information Visit: Inprocorp.com



787-A01-300

JOINT WIDTH		MOVEMENT ±			
US	mm	HORIZONTAL		VERTICAL	
US	mm	US	mm	US	mm
12"	305	6"	152	3"	76

FINISH: MILL
PROJECT:
CUSTOMER:
LOCATION:

APPLICATION-
FLOOR/FLOOR
PARKING STRUCTURE

DATE:	4-23-24
SCALE:	1:4
DOCCADJM.041/R14	

inpro.

For More Information Visit: Inprocorp.com