

### 661-A02-025

JOINT WIDTH		MOVEMENT			
		MINIMUM		MAXIMUM	
US	mm	US	mm	US	mm
1"	25	1/2"	13	2"	51

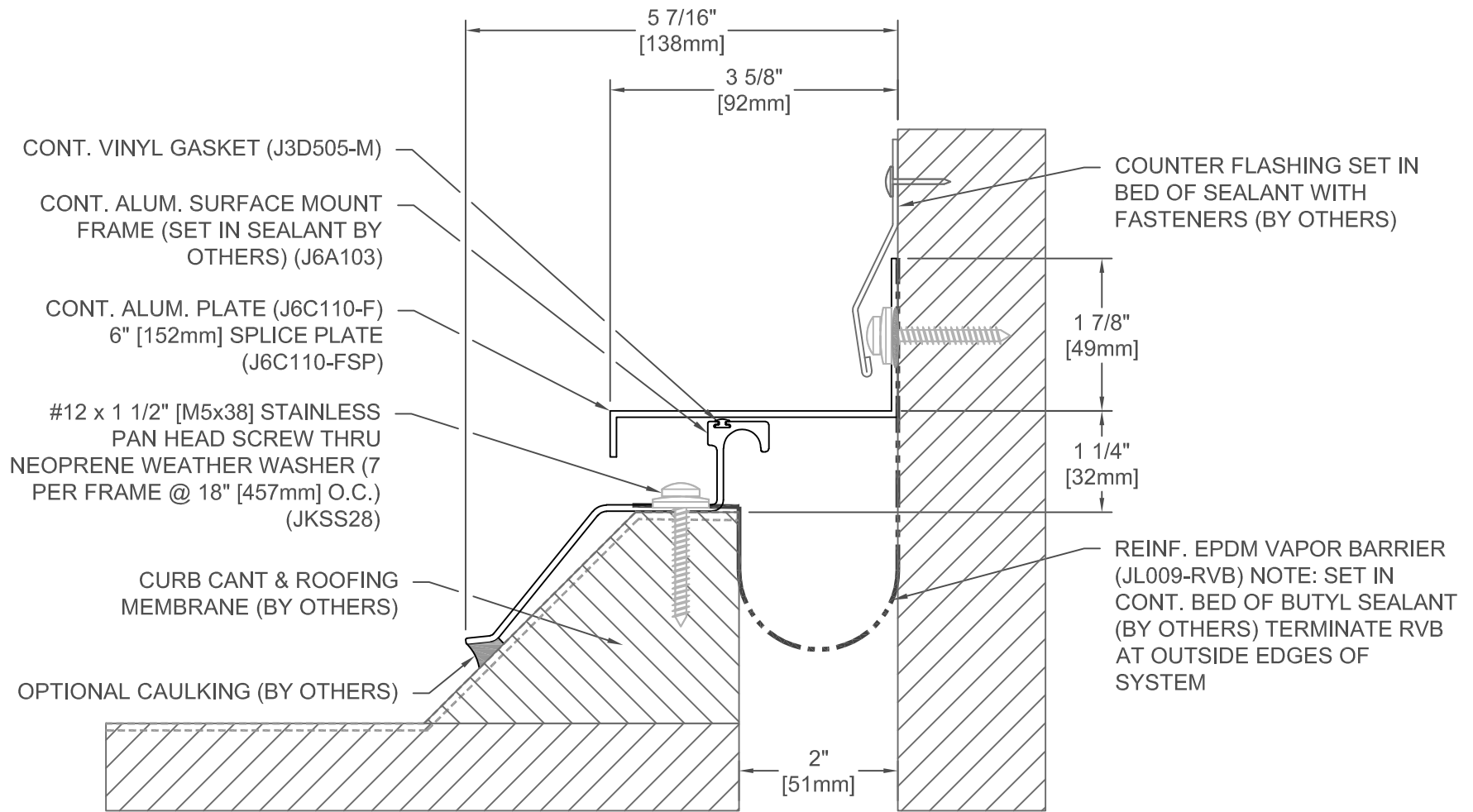
FINISH: MILL
PROJECT:
CUSTOMER:
LOCATION:

APPLICATION-  
CURB MOUNTED CENTERING BAR  
ROOF/WALL CONDITION

DATE:	6-3-22
SCALE:	1:2
DOC:	CADJM.010/R7



For More Information Visit: [Inprocorp.com](http://Inprocorp.com)



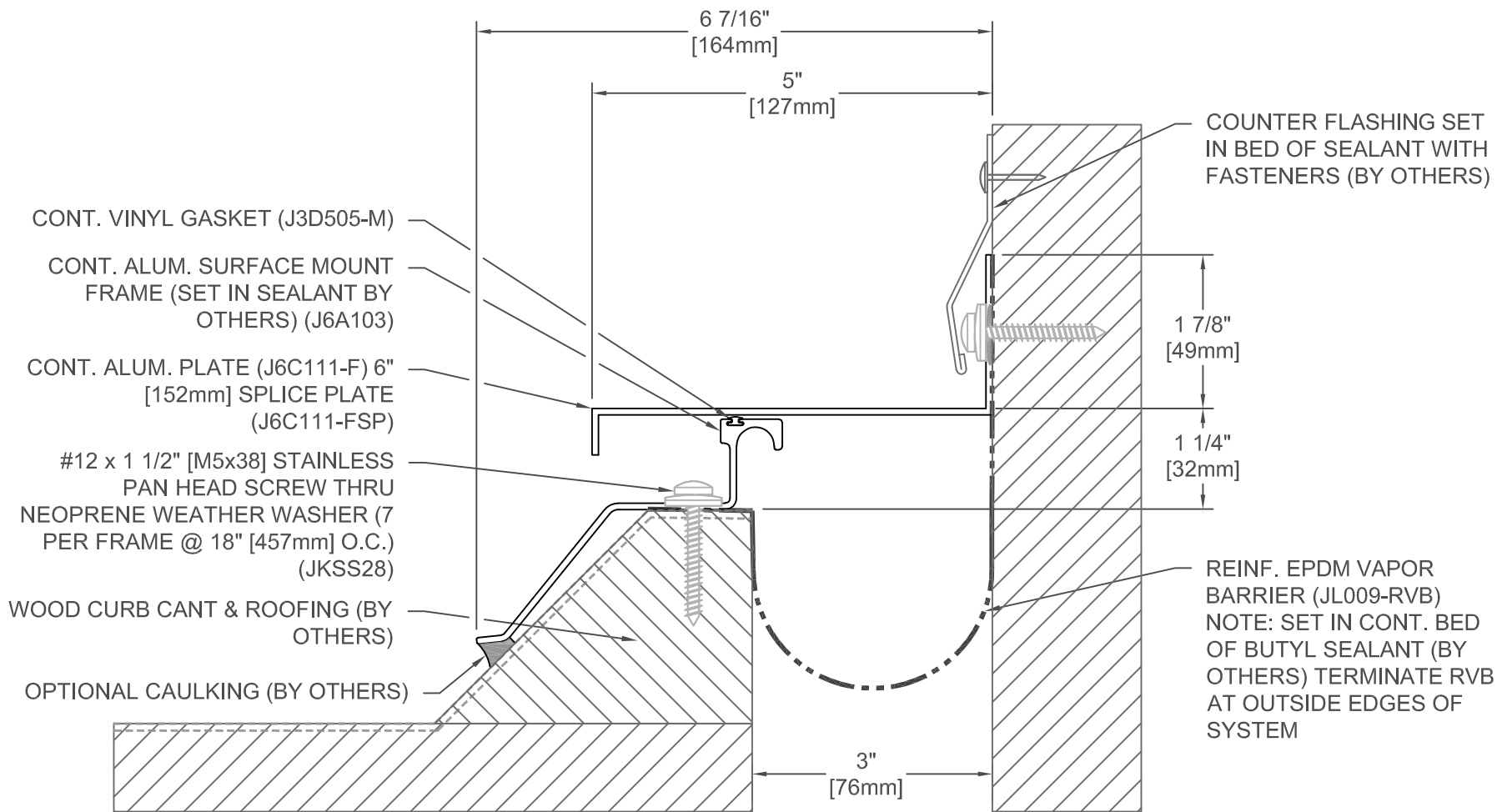
### 661-A02-050

JOINT WIDTH		MOVEMENT			
		MINIMUM		MAXIMUM	
US	mm	US	mm	US	mm
2"	51	1/2"	13	3"	76

FINISH: MILL
PROJECT:
CUSTOMER:
LOCATION:

APPLICATION-  
CURB MOUNTED CENTERING BAR  
ROOF/WALL CONDITION

DATE:	6-3-22
SCALE:	1:2
DOC:	CADJM.010/R7



## 661-A02-075

JOINT WIDTH		MOVEMENT			
		MINIMUM		MAXIMUM	
US	mm	US	mm	US	mm
3"	76	1/2"	13	4-1/2"	114

FINISH: MILL

PROJECT:

CUSTOMER:

LOCATION:

APPLICATION-  
CURB MOUNTED CENTERING BAR  
ROOF/WALL CONDITION

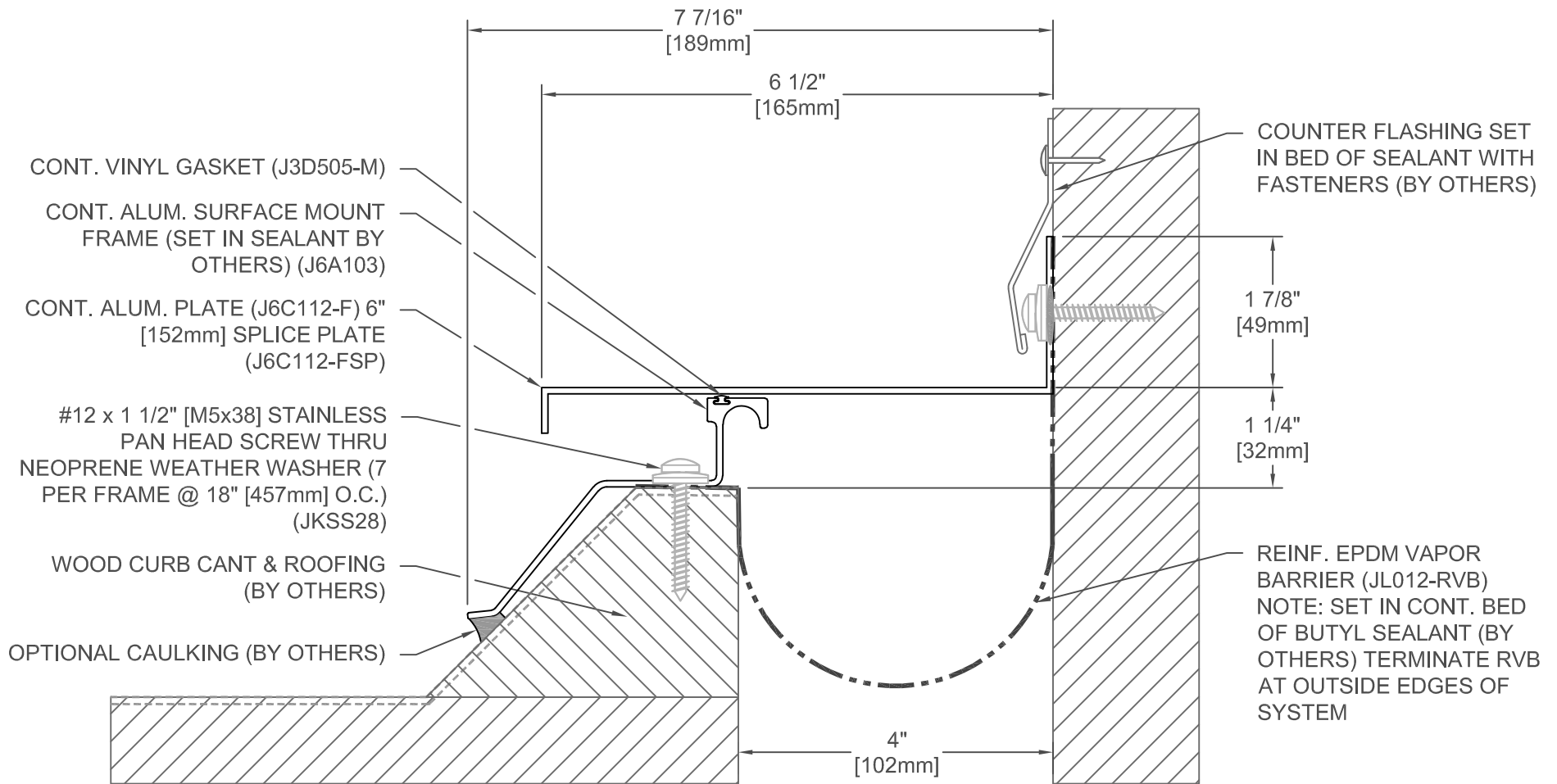
DATE: 6-3-22

SCALE: 1:2

DOC: CADJM.010/R7

**inpro**<sup>®</sup>

For More Information Visit: [Inprocorp.com](http://Inprocorp.com)



## 661-A02-100

JOINT WIDTH		MOVEMENT			
		MINIMUM		MAXIMUM	
US	mm	US	mm	US	mm
4"	102	1/2"	13	6"	152

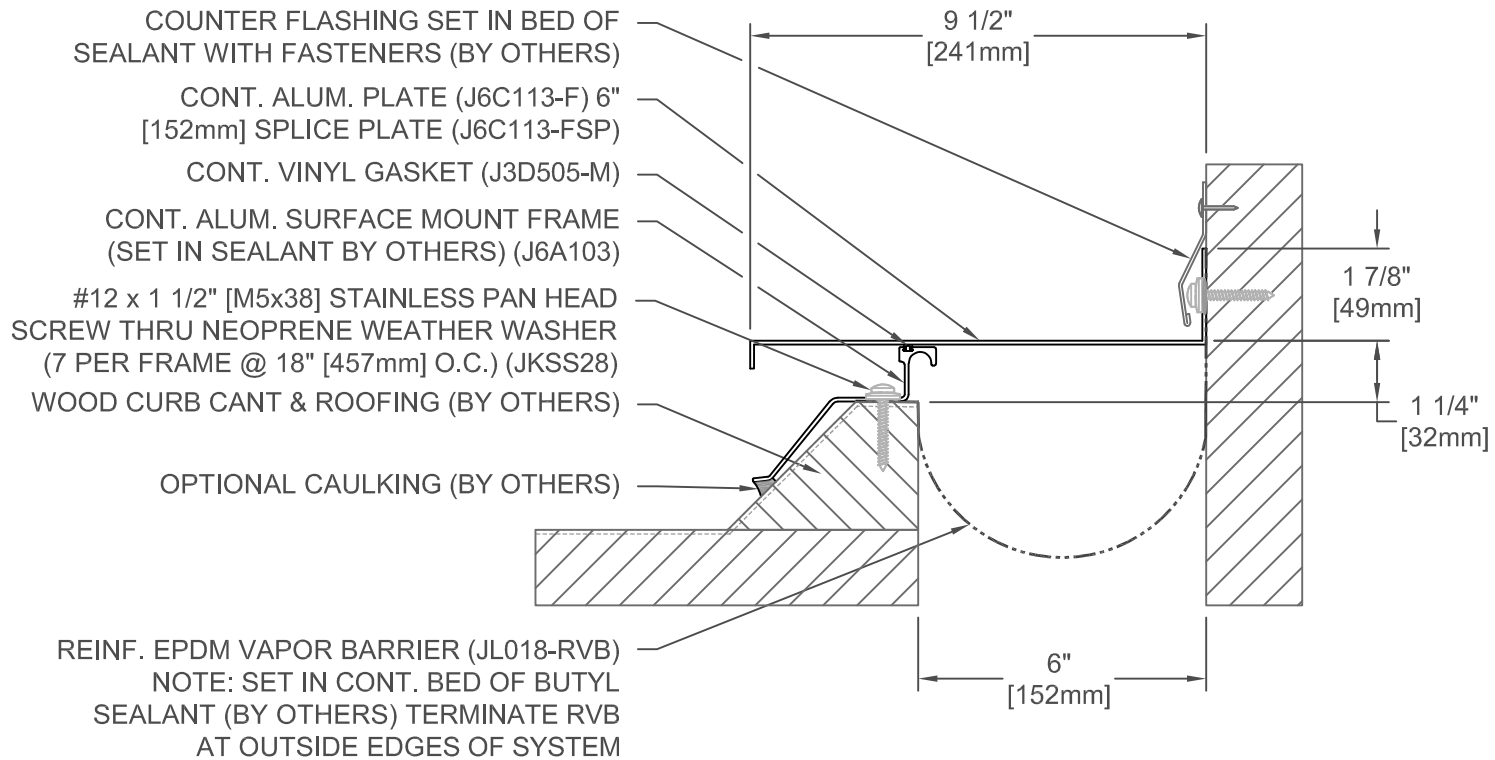
FINISH: MILL
PROJECT:
CUSTOMER:
LOCATION:

APPLICATION-  
CURB MOUNTED CENTERING BAR  
ROOF/WALL CONDITION

DATE:	6-3-22
SCALE:	1:2
DOC:	CADJM.010/R7



For More Information Visit: [Inprocorp.com](http://Inprocorp.com)



## 661-A02-150

JOINT WIDTH		MOVEMENT			
		MINIMUM		MAXIMUM	
US	mm	US	mm	US	mm
6"	152	1/2"	13	9"	229

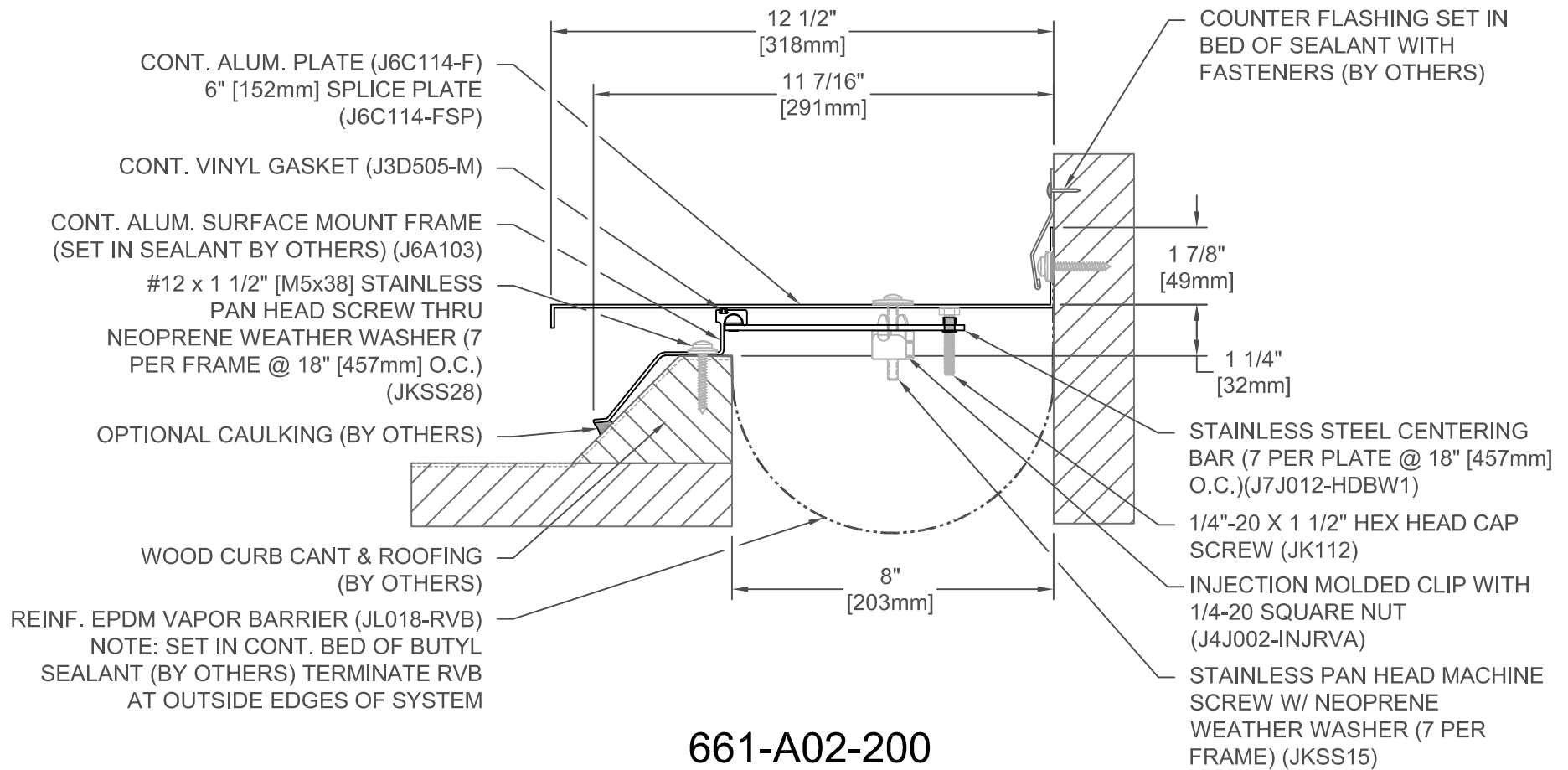
FINISH: MILL
PROJECT:
CUSTOMER:
LOCATION:

APPLICATION-  
CURB MOUNTED CENTERING BAR  
ROOF/WALL CONDITION

DATE:	6-3-22
SCALE:	1:4
DOC:	CADJM.010/R7

**inpro.**<sup>®</sup>

For More Information Visit: [Inprocorp.com](http://Inprocorp.com)



JOINT WIDTH		MOVEMENT			
		MINIMUM		MAXIMUM	
US	mm	US	mm	US	mm
8"	203	4"	102	12"	305

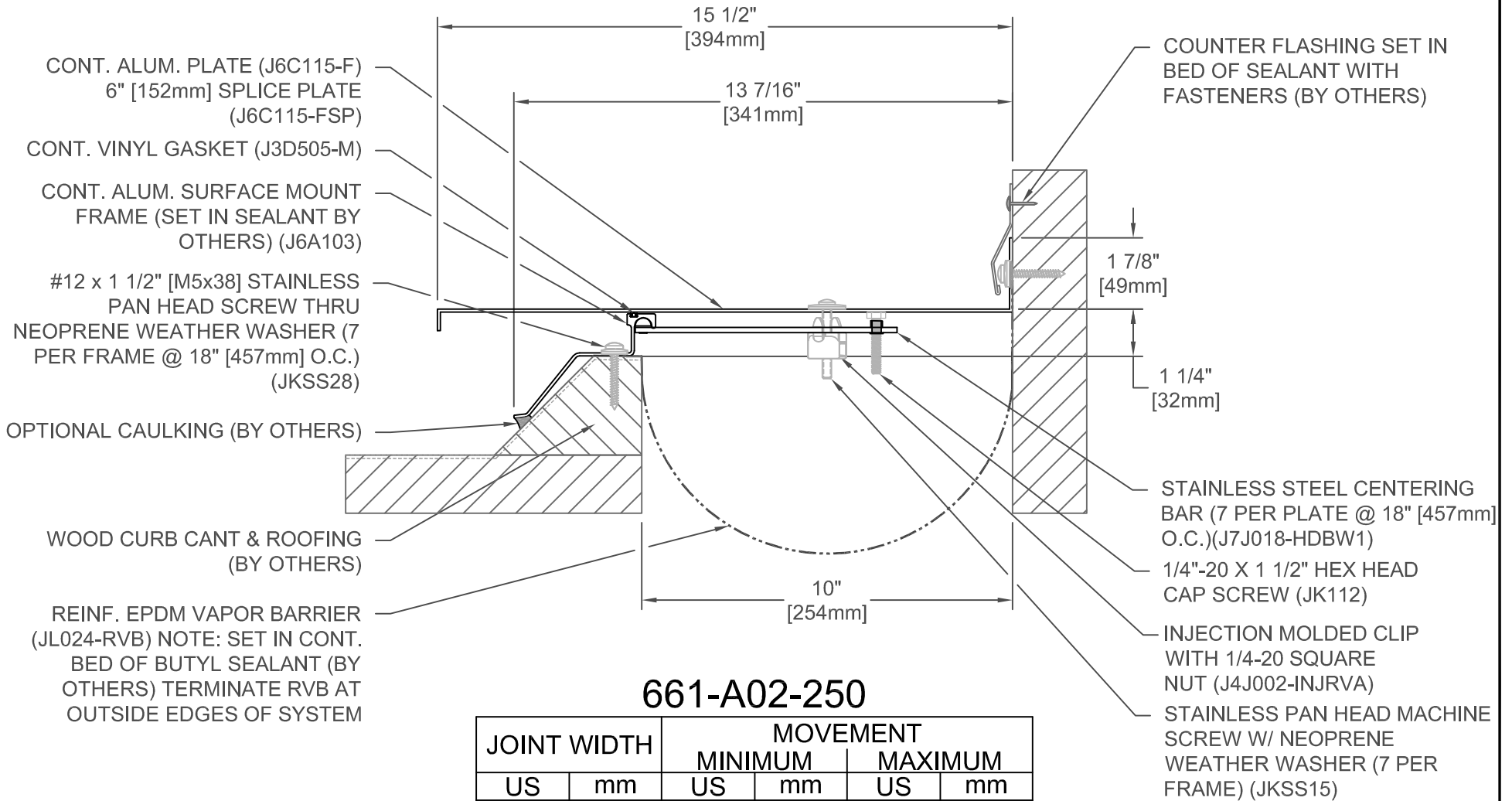
FINISH: MILL
PROJECT:
CUSTOMER:
LOCATION:

APPLICATION-  
CURB MOUNTED CENTERING BAR  
ROOF/WALL CONDITION

DATE:	6-3-22
SCALE:	1:4
DOC:	CADJM.010/R7

**inpro**<sup>®</sup>

For More Information Visit: [Inprocorp.com](http://Inprocorp.com)



### 661-A02-250

JOINT WIDTH		MOVEMENT			
		MINIMUM		MAXIMUM	
US	mm	US	mm	US	mm
10"	254	5"	127	15"	381

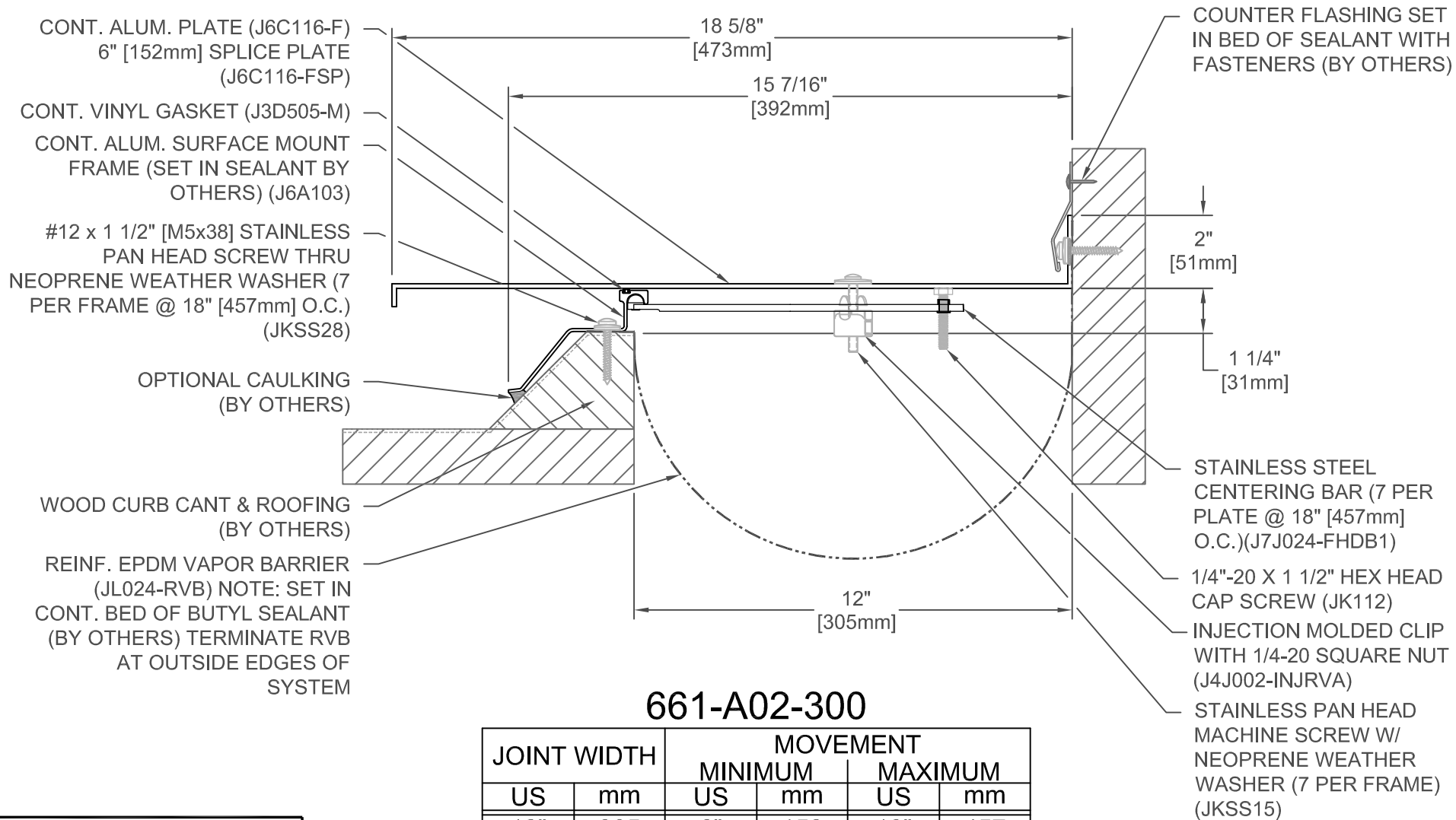
FINISH: MILL
PROJECT:
CUSTOMER:
LOCATION:

APPLICATION-  
CURB MOUNTED CENTERING BAR  
ROOF/WALL CONDITION

DATE:	6-3-22
SCALE:	1:4
DOC:	CADJM.010/R7



For More Information Visit: [Inprocorp.com](http://Inprocorp.com)



FINISH: MILL
PROJECT:
CUSTOMER:
LOCATION:

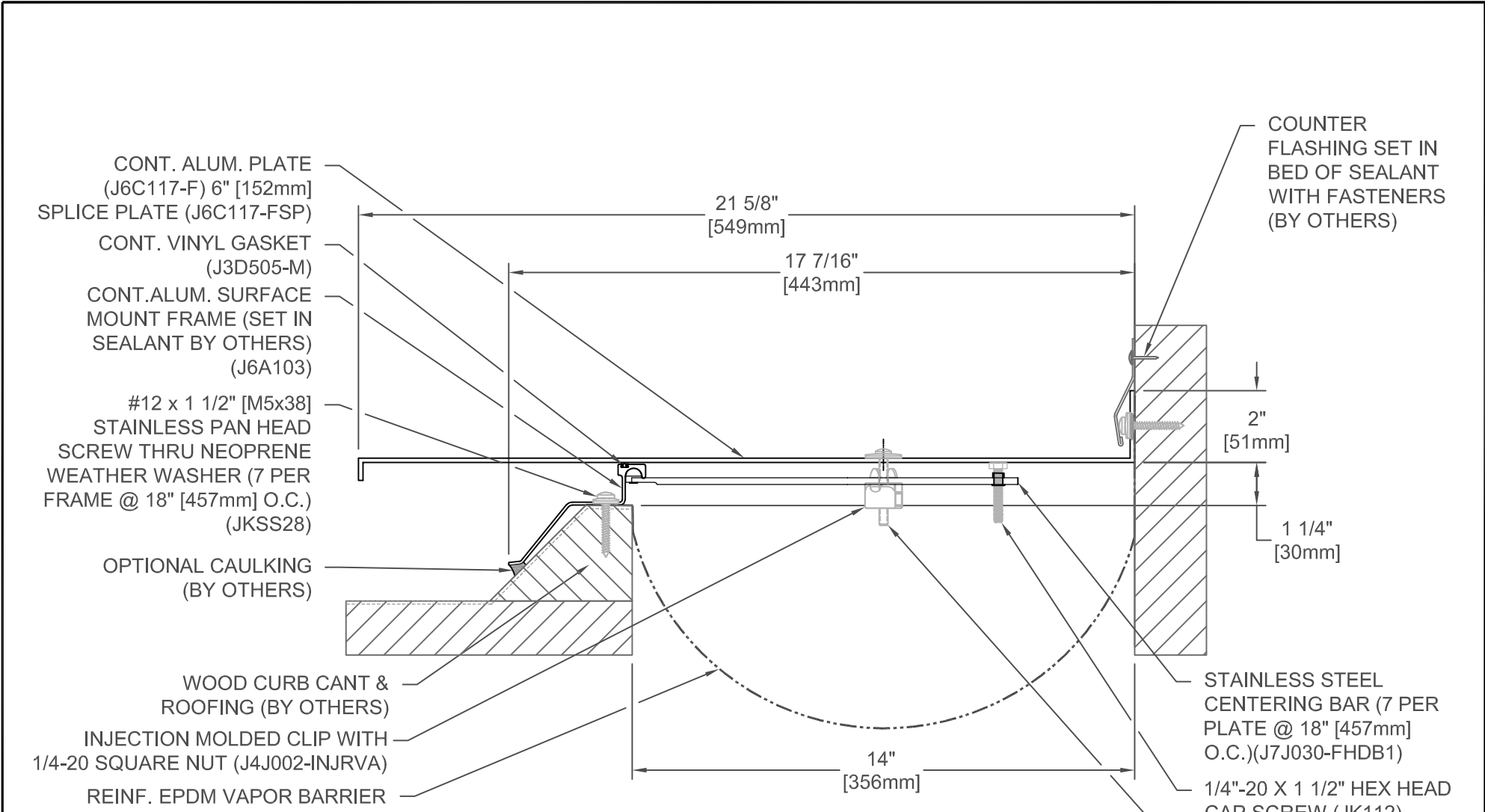
APPLICATION-  
CURB MOUNTED CENTERING BAR  
ROOF/WALL CONDITION

DATE:	6-3-22
SCALE:	1:4
DOC:	CADJM.010/R7



For More Information Visit: [Inprocorp.com](http://Inprocorp.com)





### 661-A02-350

JOINT WIDTH		MOVEMENT			
		MINIMUM		MAXIMUM	
US	mm	US	mm	US	mm
14"	356	7"	178	21"	533

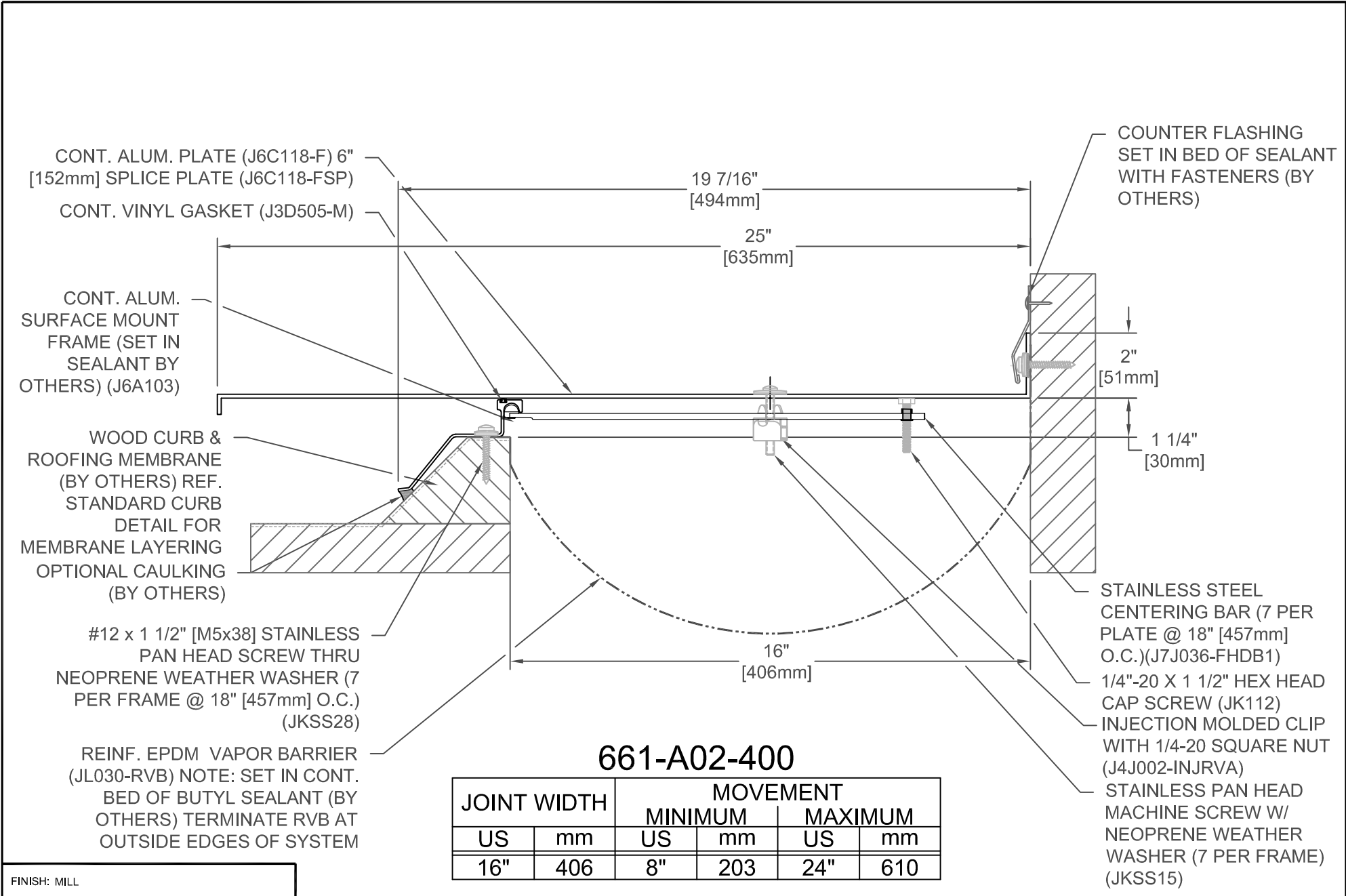
FINISH: MILL
PROJECT:
CUSTOMER:
LOCATION:

APPLICATION-  
CURB MOUNTED CENTERING BAR  
ROOF/WALL CONDITION

DATE:	6-3-22
SCALE:	1:4
DOC:	CADJM.010/R7



For More Information Visit: [Inprocorp.com](http://Inprocorp.com)



### 661-A02-400

JOINT WIDTH		MOVEMENT			
		MINIMUM		MAXIMUM	
US	mm	US	mm	US	mm
16"	406	8"	203	24"	610

FINISH: MILL
PROJECT:
CUSTOMER:
LOCATION:

APPLICATION:  
CURB MOUNTED CENTERING BAR  
ROOF/WALL CONDITION

DATE:	6-3-22
SCALE:	1:4
DOC:	CADJM.010/R7

For More Information Visit: [Inprocorp.com](http://Inprocorp.com)