

# 651 Series

A01 - Roof to Roof

A02 - Roof to Wall



**Movement Rating ± 50%**

## Product Guide



Seismic



Exterior



Fire Rated  
Option



Vapor Barrier  
Option

- ▶ Easy onsite assembly and installation
- ▶ Capable of multi-directional seismic movement
- ▶ Moisture barrier included
- ▶ Neoprene weather washers prevent leaking where fasteners penetrate frames/covers
- ▶ Surface mount accommodates uneven joint widths

- ▶ Factory formed transitions available
- ▶ Plate available in stainless steel
- ▶ Versatile frame profile allows for a wide range of building applications
- ▶ ±100% movement available
- ▶ High performance Kynar 500 resin-based coatings optional

Application	System	W		H1		H2		S		Movement			
		Joint Width		Frame Height 1		Height 2		Sightline		Minimum		Maximum	
		US	mm	US	mm	US	mm	US	mm	US	mm	US	mm
Wall/Wall Ceiling/Ceiling	651-A01-025	1"	25	1 1/4"	32	*	*	5 1/4"	133	1/2"	13	2-1/2"	64
	651-A01-050	2"	51	1 1/4"	32	*	*	5 1/4"	133	3/4"	19	3-1/2"	89
	651-A01-075	3"	76	1 1/4"	32	*	*	6 1/4"	159	1-1/2"	38	5-1/2"	140
	651-A01-100	4"	102	1 1/4"	32	*	*	7 1/4"	184	1-1/2"	38	6-1/2"	165
	651-A01-150	6"	152	1 1/4"	32	*	*	10 1/2"	267	1-1/2"	38	10"	254
	651-A01-200	8"	203	1 1/4"	32	*	*	13 1/2"	343	1-1/2"	38	12-1/2"	318
	651-A01-250	10"	254	1 1/4"	32	*	*	16 1/2"	419	1-1/2"	38	15-1/2"	394
	651-A01-300	12"	305	1 5/16"	33	*	*	19 1/2"	495	1-1/2"	38	18-1/2"	470
	651-A01-350	14"	356	1 5/16"	33	*	*	22 1/2"	572	1-1/2"	38	21-1/2"	546
651-A01-400	16"	406	1 5/16"	33	*	*	25"	635	1-1/2"	38	24"	610	
Wall/Corner Wall/Ceiling	651-A02-025	1"	25	1 1/4"	32	*	*	3 1/8"	79	1/2"	13	2"	51
	651-A02-050	2"	51	1 1/4"	32	*	*	3 5/8"	92	1/2"	13	3"	76
	651-A02-075	3"	76	1 1/4"	32	*	*	5"	127	1/2"	13	4-1/2"	114
	651-A02-100	4"	102	1 1/4"	32	*	*	6 1/2"	165	1/2"	13	6"	152
	651-A02-150	6"	152	1 1/4"	32	*	*	9 1/2"	241	1/2"	13	9"	229
	651-A02-200	8"	203	1 1/4"	32	*	*	12 1/2"	318	4"	102	12"	305
	651-A02-250	10"	254	1 1/4"	32	*	*	15 1/2"	394	5"	127	15"	381
	651-A02-300	12"	305	1 5/16"	33	*	*	18 1/2"	470	6"	152	18"	457
	651-A02-350	14"	356	1 5/16"	33	*	*	21 1/2"	546	7"	178	21"	533
651-A02-400	16"	406	1 5/16"	33	*	*	25"	635	8"	203	24"	610	

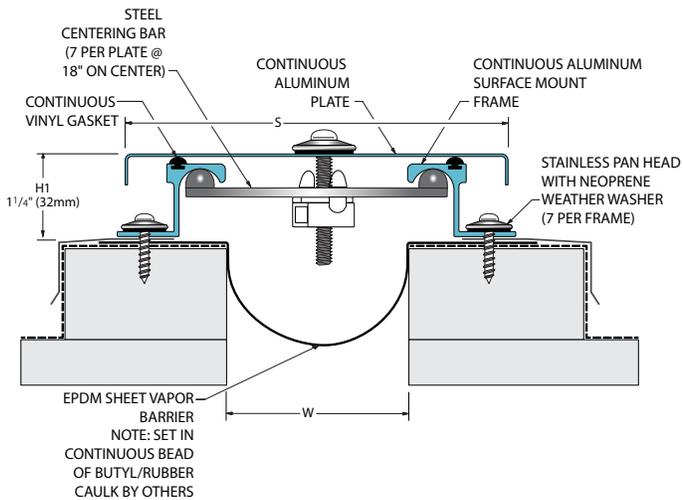
May be available in larger widths, please contact InPro Corporation for more details.

IPC.2790/REV.8

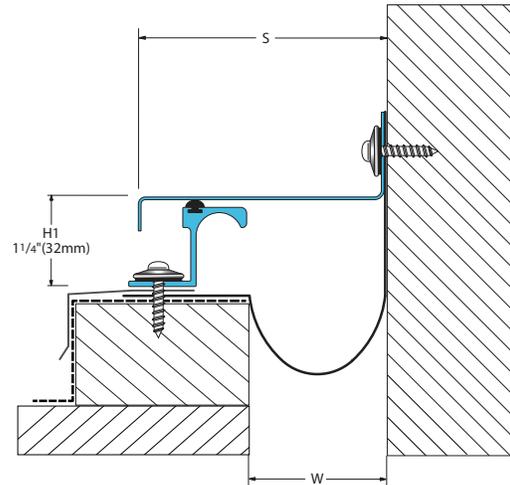
# 651 Series

## Surface Mount Wall and Ceiling Systems

651-A01 Roof/Roof  
(2" (50mm) system shown)



651-A02 Roof/Wall  
(2" (50mm) system shown)



## 651 Series Options

Fire Blanket System  
(651-A01-050 system shown)

