

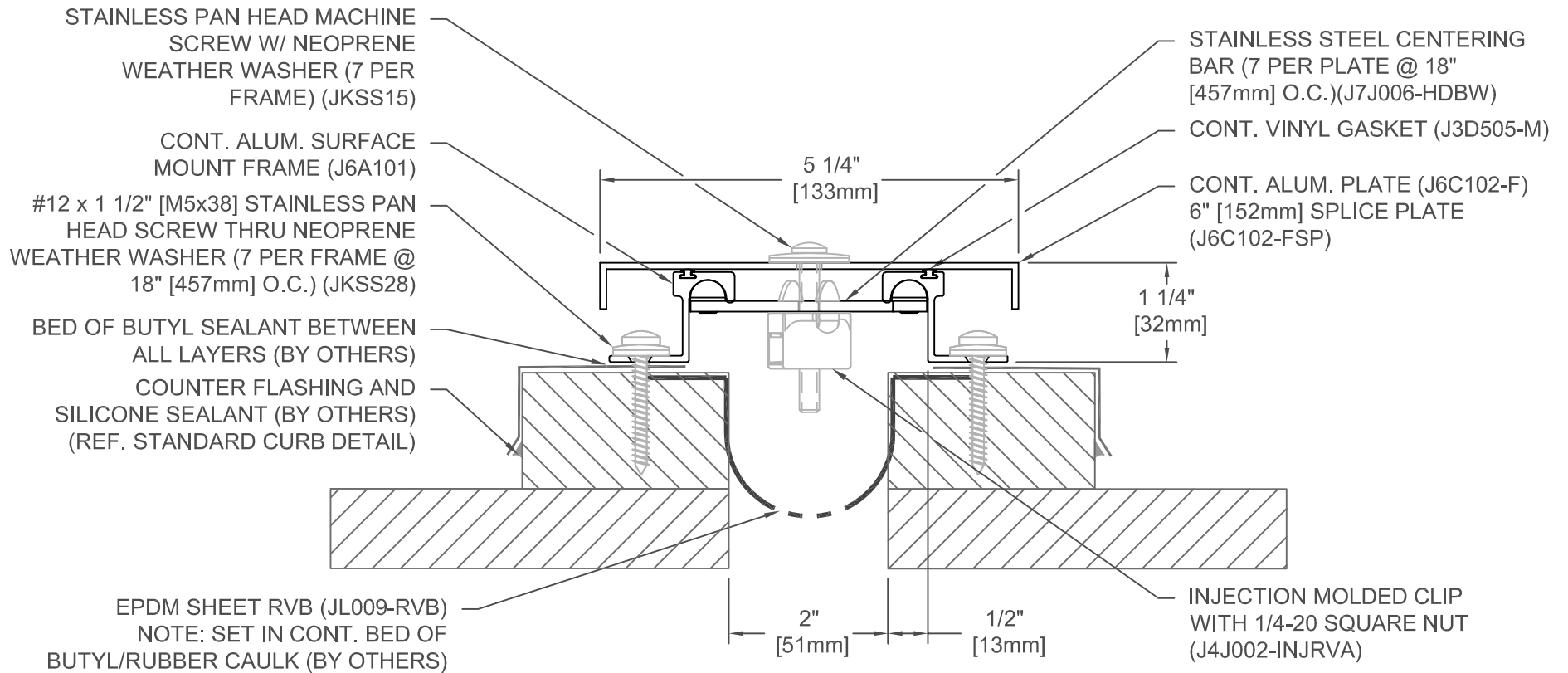
### 651-A01-025

JOINT WIDTH		MOVEMENT			
		MINIMUM		MAXIMUM	
US	mm	US	mm	US	mm
1"	25	1/2"	13	2-1/2"	64

FINISH: MILL
PROJECT:
CUSTOMER:
LOCATION:

APPLICATION-  
SURFACE MOUNT ROOF/ROOF  
EXTERIOR CONDITION

DATE:	6-20-17
SCALE:	1:2
DOC:	CADJM.188/R6



## 651-A01-050

JOINT WIDTH		MOVEMENT			
		MINIMUM		MAXIMUM	
US	mm	US	mm	US	mm
2"	51	3/4"	19	3-1/2"	89

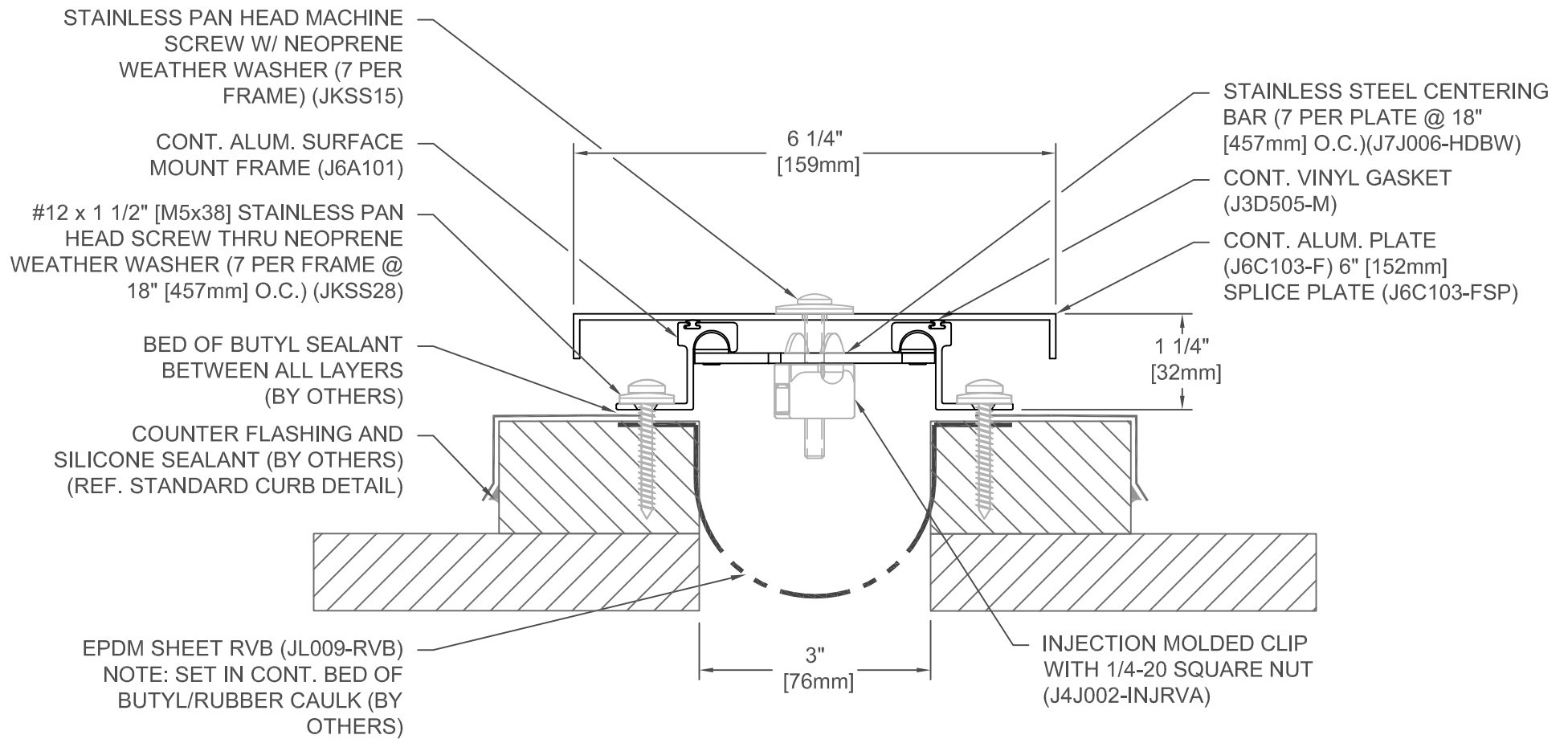
FINISH: MILL
PROJECT:
CUSTOMER:
LOCATION:

APPLICATION-  
SURFACE MOUNT ROOF/ROOF  
EXTERIOR CONDITION

DATE:	6-20-17
SCALE:	1:2
DOC:	CADJM.188/R6

**inpro**<sup>®</sup>

For More Information Visit: [Inprocorp.com](http://Inprocorp.com)



## 651-A01-075

JOINT WIDTH		MOVEMENT			
		MINIMUM		MAXIMUM	
US	mm	US	mm	US	mm
3"	76	1-1/2"	38	5-1/2"	140

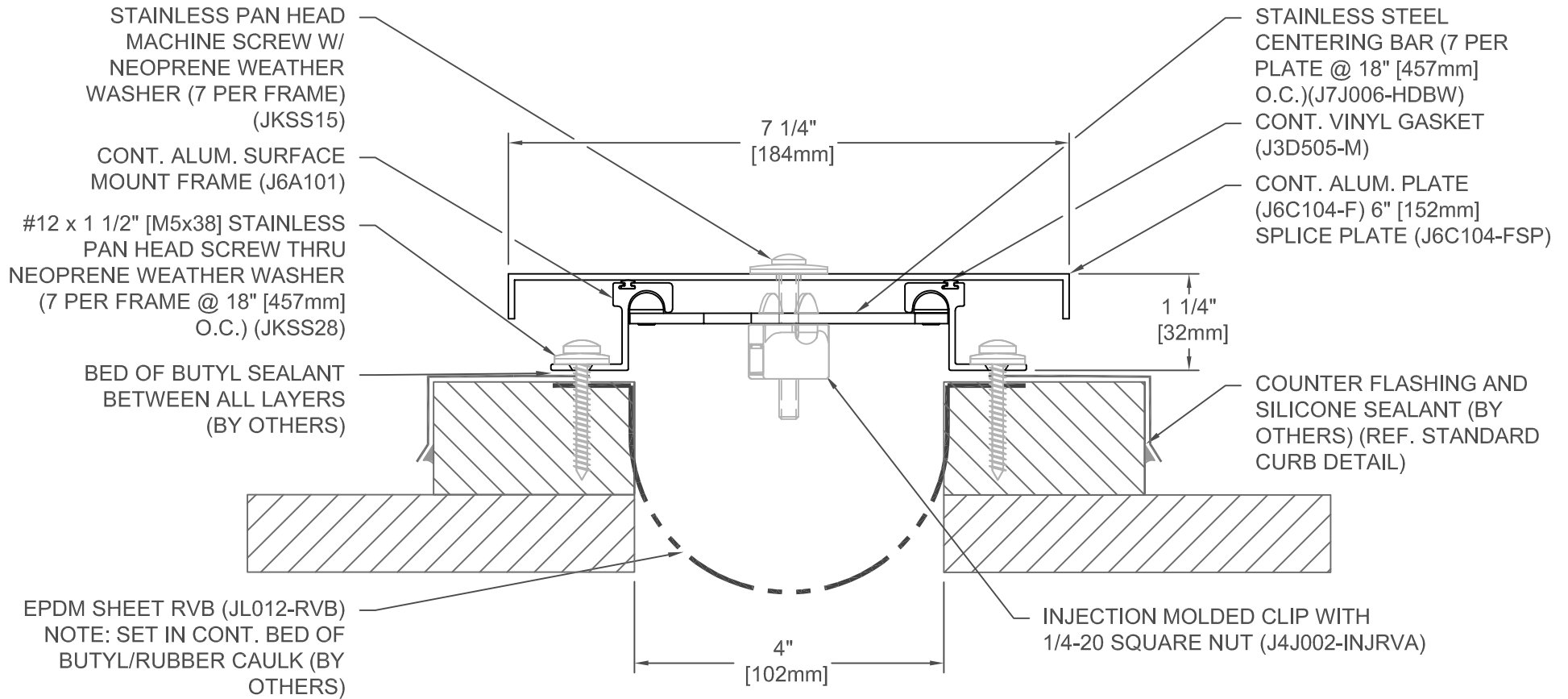
FINISH: MILL
PROJECT:
CUSTOMER:
LOCATION:

APPLICATION-  
SURFACE MOUNT ROOF/ROOF  
EXTERIOR CONDITION

DATE:	6-20-17
SCALE:	1:2
DOC:	CADJM.188/R6

**inpro.**<sup>®</sup>

For More Information Visit: [Inprocorp.com](http://Inprocorp.com)



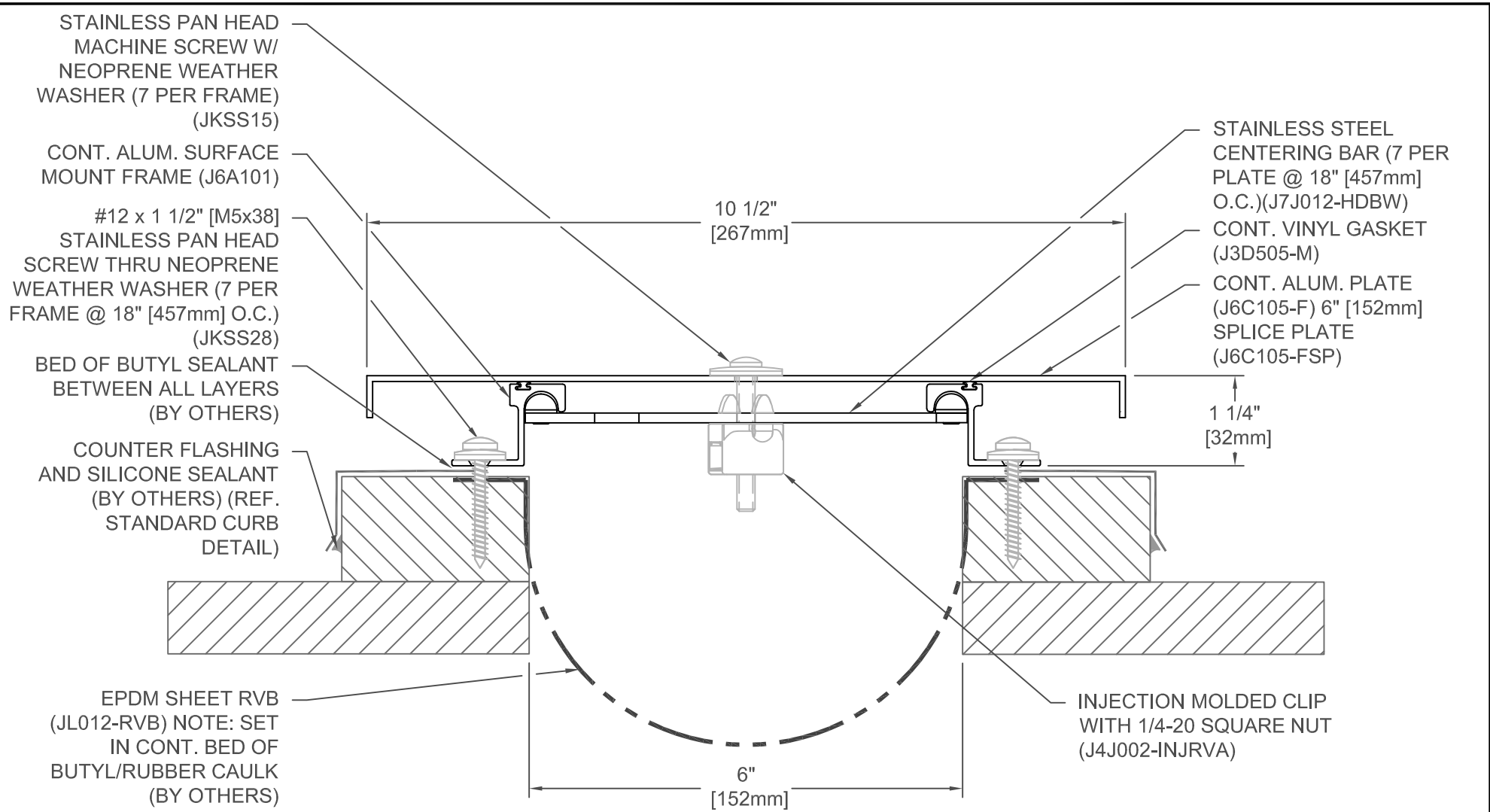
### 651-A01-100

JOINT WIDTH		MOVEMENT			
		MINIMUM		MAXIMUM	
US	mm	US	mm	US	mm
4"	102	1-1/2"	38	6-1/2"	165

FINISH: MILL
PROJECT:
CUSTOMER:
LOCATION:

APPLICATION-  
SURFACE MOUNT ROOF/ROOF  
EXTERIOR CONDITION

DATE:	6-20-17
SCALE:	1:2
DOC:	CADJM.188/R6



### 651-A01-150

JOINT WIDTH		MOVEMENT			
US	mm	MINIMUM	MAXIMUM	US	mm
6"	152	1-1/2"	38	10"	254

FINISH: MILL
PROJECT:
CUSTOMER:
LOCATION:

APPLICATION-  
SURFACE MOUNT ROOF/ROOF  
EXTERIOR CONDITION

DATE:	6-20-17
SCALE:	1:2
DOC:	CADJM.188/R6



STAINLESS PAN HEAD MACHINE  
SCREW W/ NEOPRENE  
WEATHER WASHER (7 PER  
FRAME) (JKSS15)

CONT. ALUM. SURFACE  
MOUNT FRAME (J6A101)

BED OF BUTYL SEALANT  
BETWEEN ALL LAYERS  
(BY OTHERS)

COUNTER FLASHING AND  
SILICONE SEALANT (BY  
OTHERS) (REF. STANDARD  
CURB DETAIL)

#12 x 1 1/2" [M5x38] STAINLESS  
PAN HEAD SCREW THRU  
NEOPRENE WEATHER WASHER  
(7 PER FRAME @ 18" [457mm]  
O.C.) (JKSS28)

EPDM SHEET RVB (JL018-RVB)  
NOTE: SET IN CONT. BED OF  
BUTYL/RUBBER CAULK (BY  
OTHERS)

13 1/2"  
[343mm]

STAINLESS STEEL CENTERING BAR  
(7 PER PLATE @ 18" [457mm]  
O.C.)(J7J012-HDBW)

CONT. VINYL GASKET (J3D505-M)

CONT. ALUM. PLATE (J6C106-F) 6"  
[152mm] SPLICE PLATE (J6C106-FSP)

1 1/4"  
[32mm]

INJECTION MOLDED CLIP WITH  
1/4-20 SQUARE NUT (J4J002-INJRVVA)

8"

[203mm]

## 651-A01-200

JOINT WIDTH		MOVEMENT			
		MINIMUM		MAXIMUM	
US	mm	US	mm	US	mm
8"	203	1-1/2"	38	12-1/2"	318

FINISH: MILL
PROJECT:
CUSTOMER:
LOCATION:

APPLICATION-  
SURFACE MOUNT ROOF/ROOF  
EXTERIOR CONDITION

DATE:	6-20-17
SCALE:	1:4
DOC:	CADJM.188/R6

**inpro**<sup>®</sup>

For More Information Visit: [Inprocorp.com](http://Inprocorp.com)

STAINLESS PAN HEAD MACHINE  
SCREW W/ NEOPRENE  
WEATHER WASHER (7 PER  
FRAME) (JKSS15)

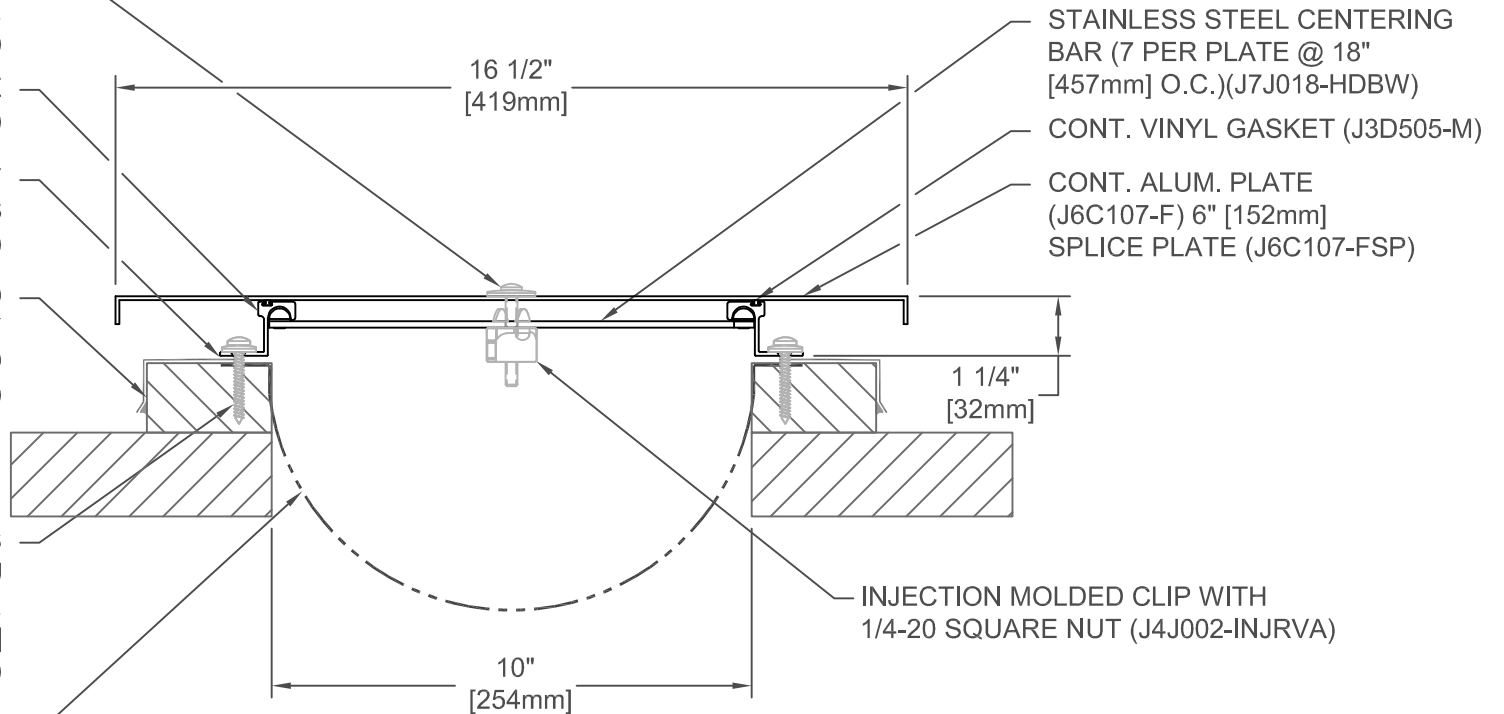
CONT. ALUM. SURFACE  
MOUNT FRAME (J6A101)

BED OF BUTYL SEALANT  
BETWEEN ALL LAYERS  
(BY OTHERS)

COUNTER FLASHING AND  
SILICONE SEALANT (BY  
OTHERS) (REF. STANDARD  
CURB DETAIL)

#12 x 1 1/2" [M5x38] STAINLESS  
PAN HEAD SCREW THRU  
NEOPRENE WEATHER WASHER  
(7 PER FRAME @ 18" [457mm]  
O.C.) (JKSS28)

EPDM SHEET RVB (JL024-RVB)  
NOTE: SET IN CONT. BED OF  
BUTYL/RUBBER CAULK (BY  
OTHERS)



## 651-A01-250

JOINT WIDTH		MOVEMENT			
		MINIMUM		MAXIMUM	
US	mm	US	mm	US	mm
10"	254	1-1/2"	38	15-1/2"	394

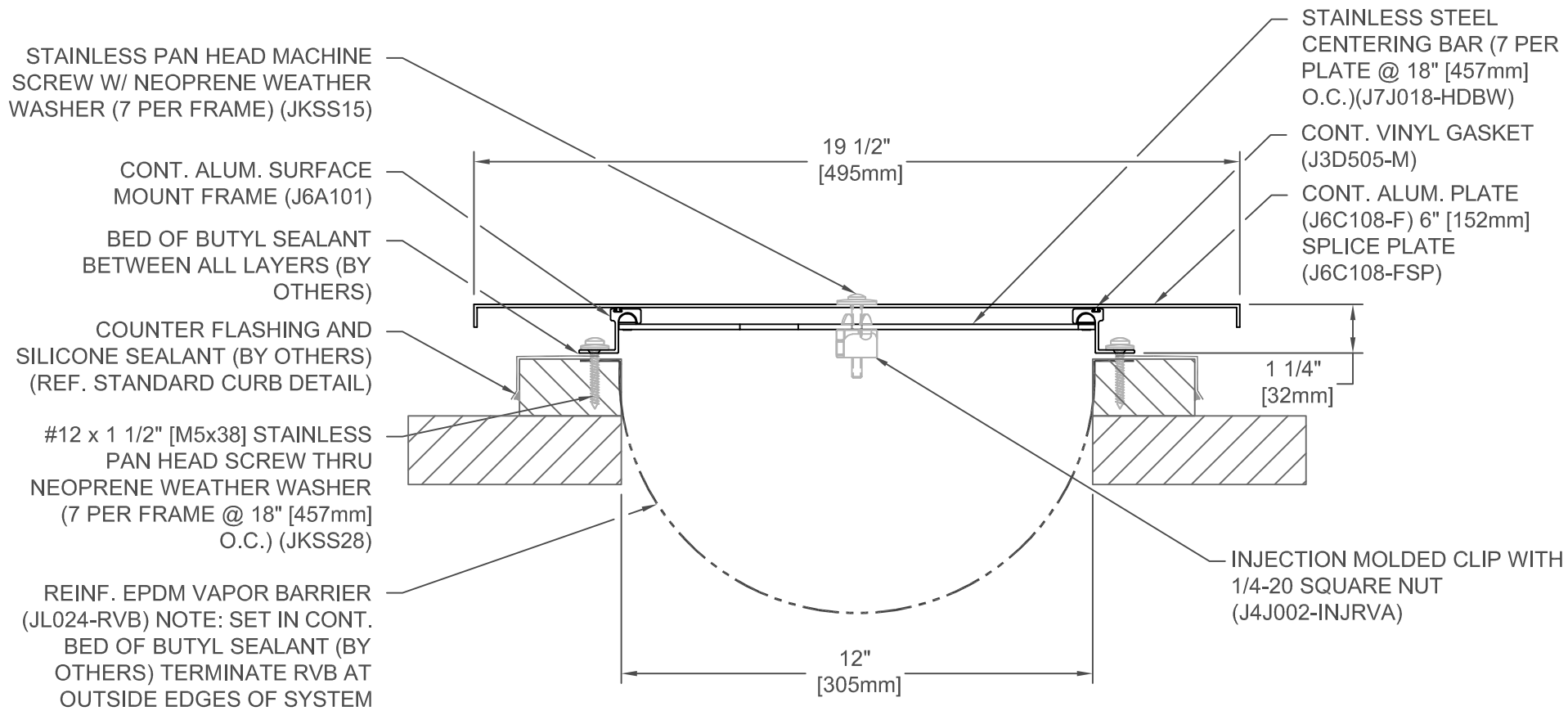
FINISH: MILL
PROJECT:
CUSTOMER:
LOCATION:

APPLICATION-  
SURFACE MOUNT ROOF/ROOF  
EXTERIOR CONDITION

DATE:	6-20-17
SCALE:	1:4
DOC:	CADJM.188/R6

**inpro.**

For More Information Visit: [Inprocorp.com](http://Inprocorp.com)



### 651-A01-300

JOINT WIDTH		MOVEMENT			
		MINIMUM		MAXIMUM	
US	mm	US	mm	US	mm
12"	305	1-1/2"	38	18-1/2"	470

FINISH: MILL
PROJECT:
CUSTOMER:
LOCATION:

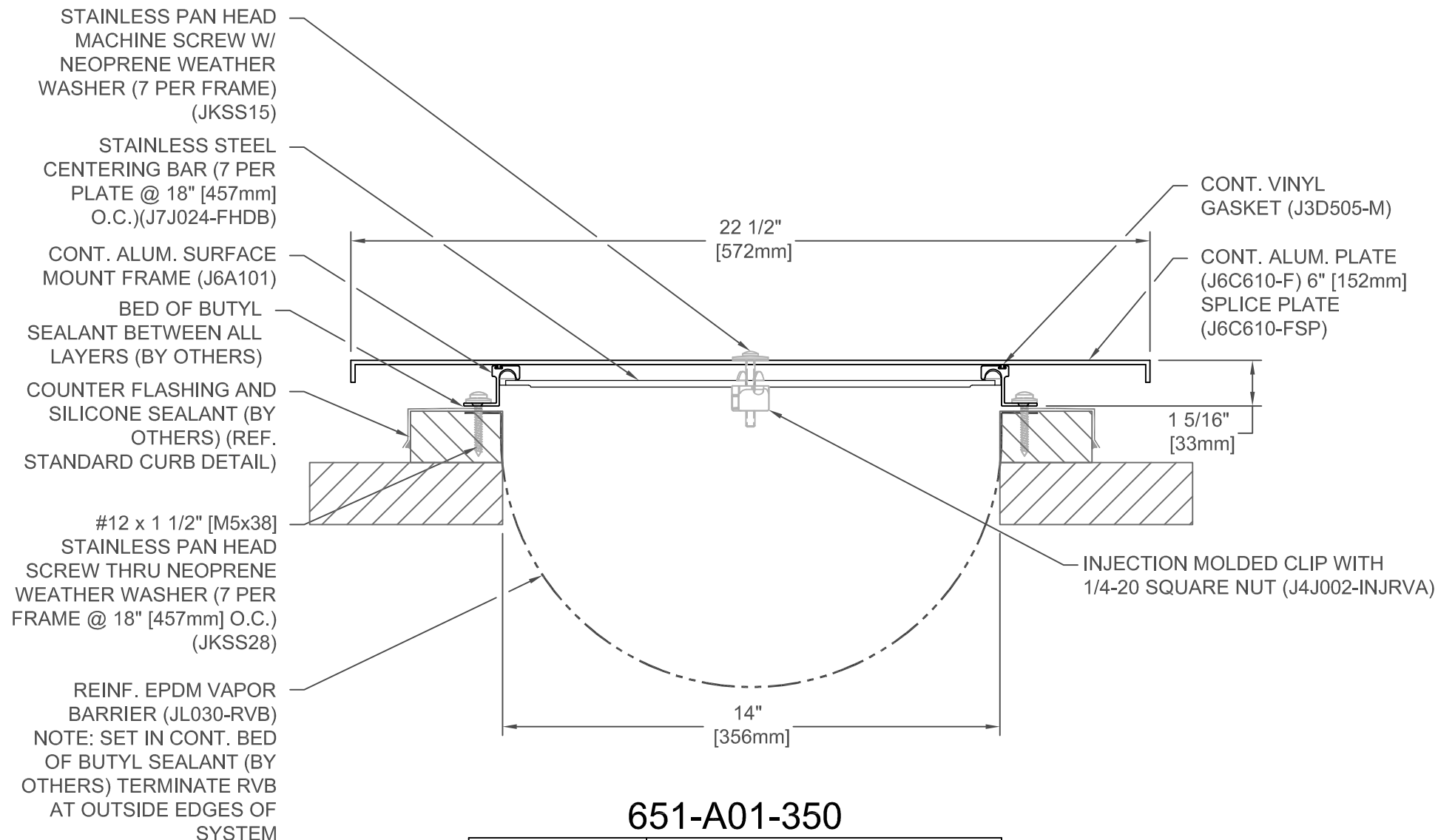
APPLICATION-  
SURFACE MOUNT ROOF/ROOF  
EXTERIOR CONDITION

DATE:	6-20-17
SCALE:	1:4
DOC:	CADJM.188/R6



For More Information Visit: [Inprocorp.com](http://Inprocorp.com)





### 651-A01-350

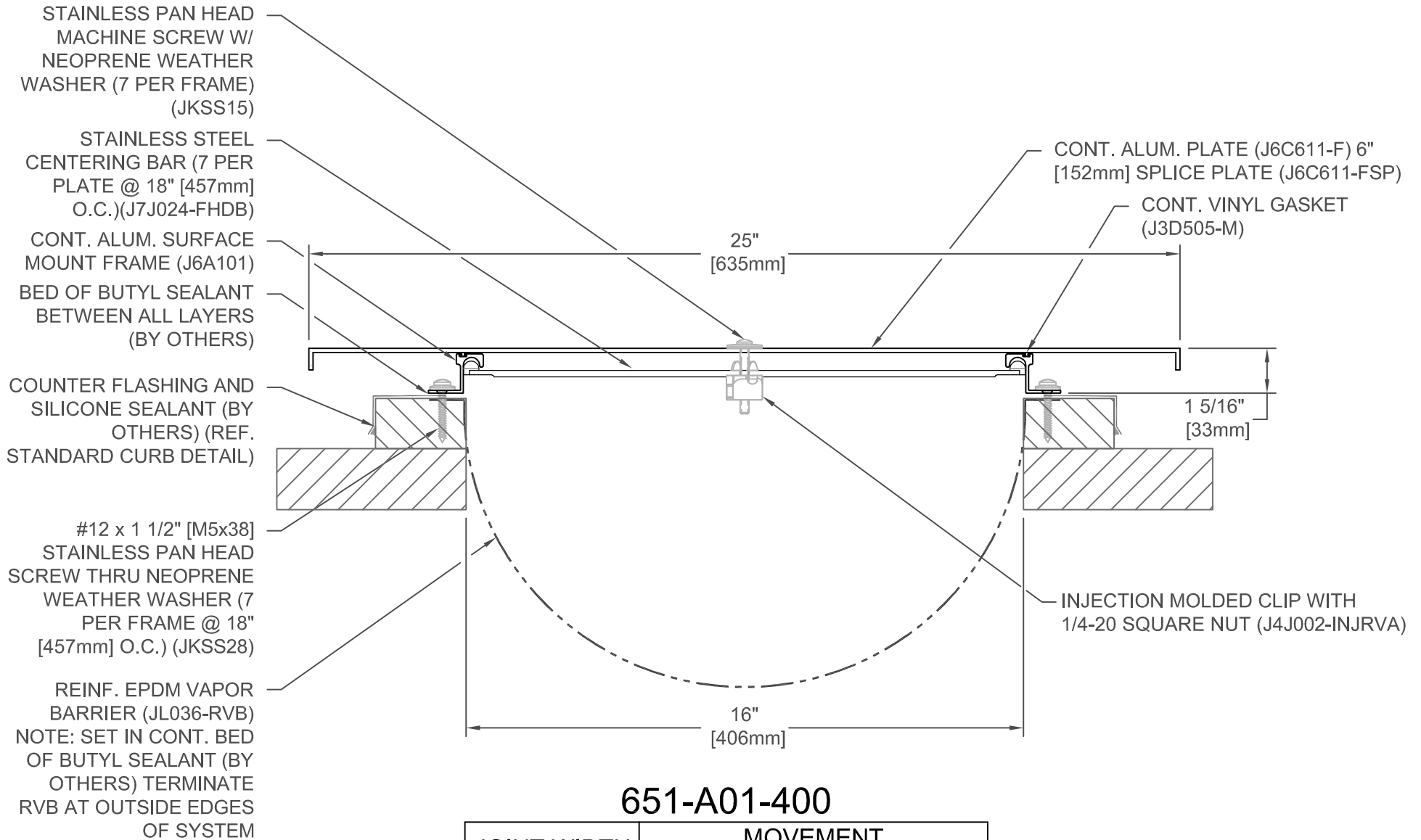
JOINT WIDTH		MOVEMENT			
		MINIMUM		MAXIMUM	
US	mm	US	mm	US	mm
14"	356	1-1/2"	38	21-1/2"	546

FINISH: MILL
PROJECT:
CUSTOMER:
LOCATION:

APPLICATION-  
SURFACE MOUNT ROOF/ROOF  
EXTERIOR CONDITION

DATE:	6-20-17
SCALE:	1:4
DOC:	CADJM.188/R6

**inpro.**  
For More Information Visit: [Inprocorp.com](http://Inprocorp.com)



### 651-A01-400

JOINT WIDTH		MOVEMENT			
US	mm	MINIMUM	MAXIMUM	US	mm
16"	406	1-1/2"	38	24"	610

FINISH: MILL
PROJECT:
CUSTOMER:
LOCATION:

APPLICATION-  
SURFACE MOUNT ROOF/ROOF  
EXTERIOR CONDITION

DATE:	6-20-17
SCALE:	1:4
DOC:	CADJM.188/R6



For More Information Visit: [Inprocorp.com](http://Inprocorp.com)