

650C-A07-150

SPECIFY PANEL COLOR:		
CLEAR ANO. (MNC)		ALUM. GRAY (AGT)
BONE WHITE (BNT)		DEEP GRAY (BGY)
OYSTER (CRT)		CHARCOAL (CNC)
BRONZE (JBR)		BLACK (BLK)

JOINT WIDTH		MOVEMENT			
		MINIMUM		MAXIMUM	
US	mm	US	mm	US	mm
6"	152	2 3/4"	70	12"	305

FINISH: CLEAR ANODIZED - ALUM

PROJECT:

CUSTOMER:

LOCATION:

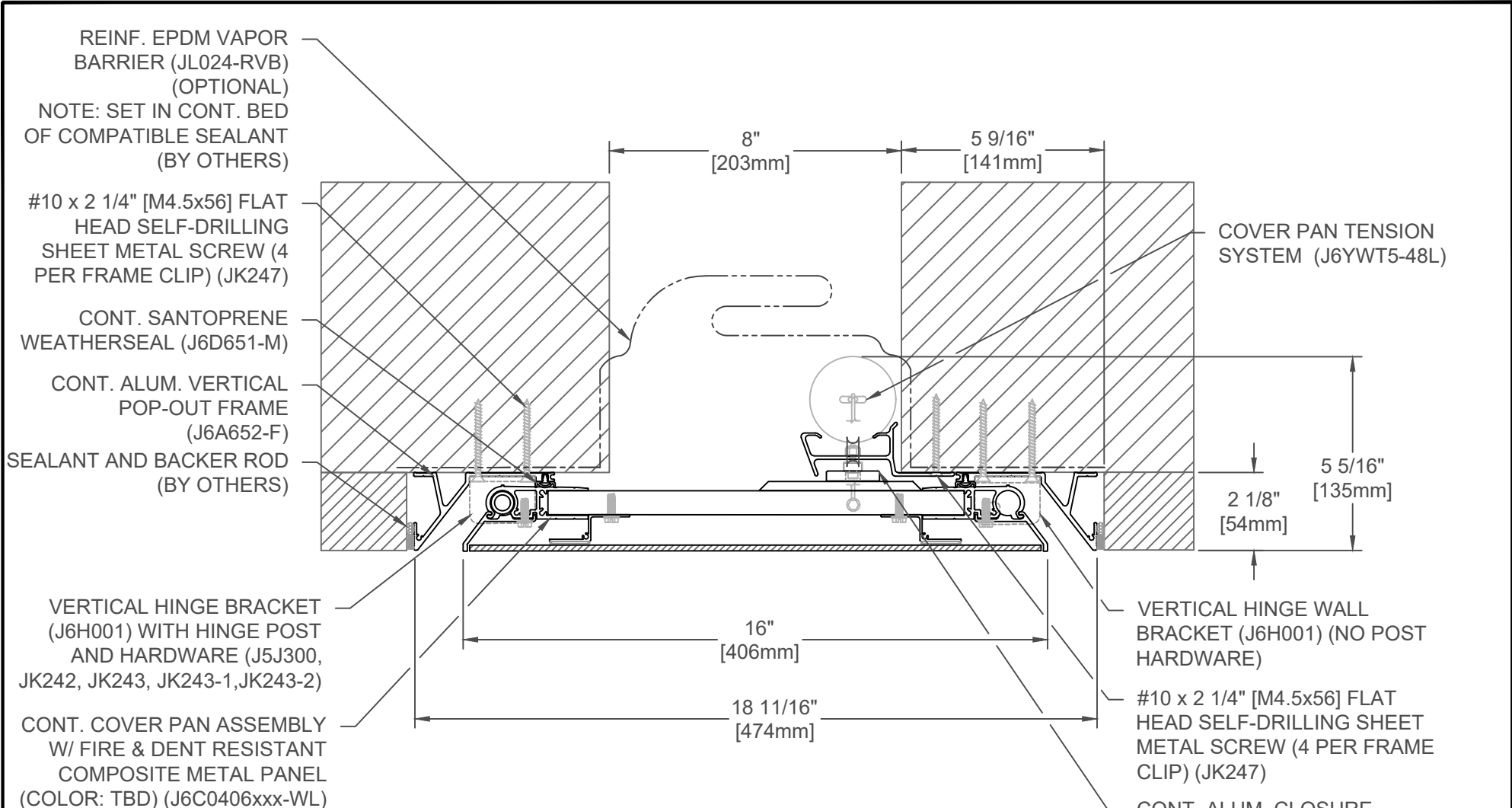
APPLICATION - EXTERIOR
WALL/WALL CONCEALED PAN EXPANSION JOINT SYSTEM

DATE: 9/4/18

SCALE: 1:4

DOC: CADJM.251/R1

For More Information Visit: Inprocorp.com



650C-A07-200

SPECIFY PANEL COLOR:		
CLEAR ANO. (MNC)		ALUM. GRAY (AGT)
BONE WHITE (BNT)		DEEP GRAY (BGY)
OYSTER (CRT)		CHARCOAL (CNC)
BRONZE (JBR)		BLACK (BLK)

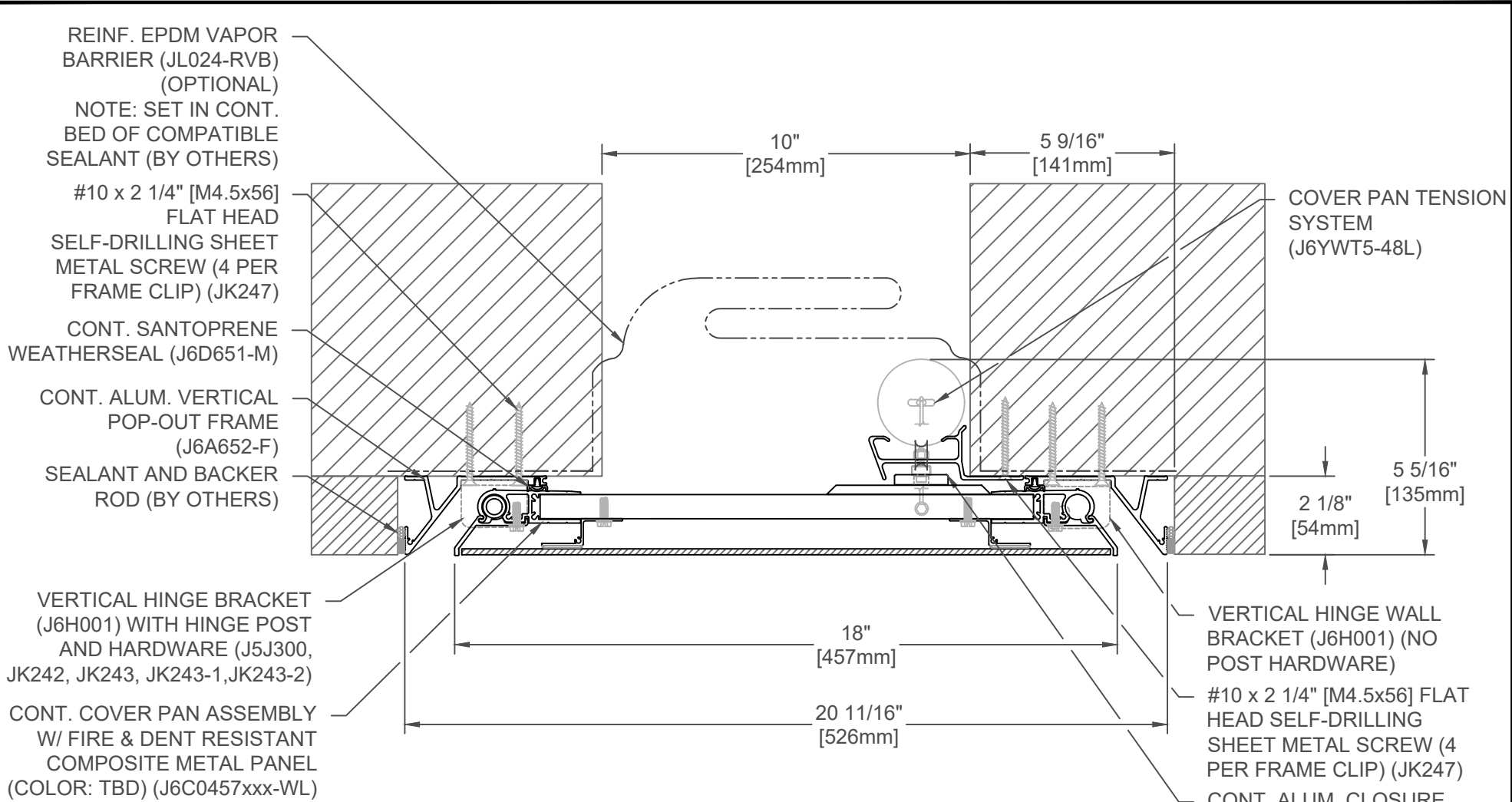
JOINT WIDTH		MOVEMENT			
		MINIMUM		MAXIMUM	
US	mm	US	mm	US	mm
8"	203	2 3/4"	70	16"	406

FINISH: CLEAR ANODIZED - ALUM
PROJECT:
CUSTOMER:
LOCATION:

APPLICATION - EXTERIOR
WALL/WALL CONCEALED PAN EXPANSION JOINT SYSTEM

DATE:	9/4/18
SCALE:	1:4
DOC:	CADJM.251/R1





650C-A07-250

SPECIFY PANEL COLOR:		
CLEAR ANO. (MNC)		ALUM. GRAY (AGT)
BONE WHITE (BNT)		DEEP GRAY (BGY)
OYSTER (CRT)		CHARCOAL (CNC)
BRONZE (JBR)		BLACK (BLK)

JOINT WIDTH		MOVEMENT			
		MINIMUM		MAXIMUM	
US	mm	US	mm	US	mm
10"	254	2 3/4"	70	20"	508

FINISH: CLEAR ANODIZED - ALUM
PROJECT:
CUSTOMER:
LOCATION:

APPLICATION - EXTERIOR
WALL/WALL CONCEALED PAN EXPANSION JOINT SYSTEM

DATE: 9/4/18
SCALE: 1:4
DOC: CADJM.251/R1



REINF. EPDM VAPOR BARRIER (JL024-RVB) (OPTIONAL)
 NOTE: SET IN CONT. BED OF COMPATIBLE SEALANT (BY OTHERS)

#10 x 2 1/4" [M4.5x56] FLAT HEAD SELF-DRILLING SHEET METAL SCREW (4 PER FRAME CLIP) (JK247)

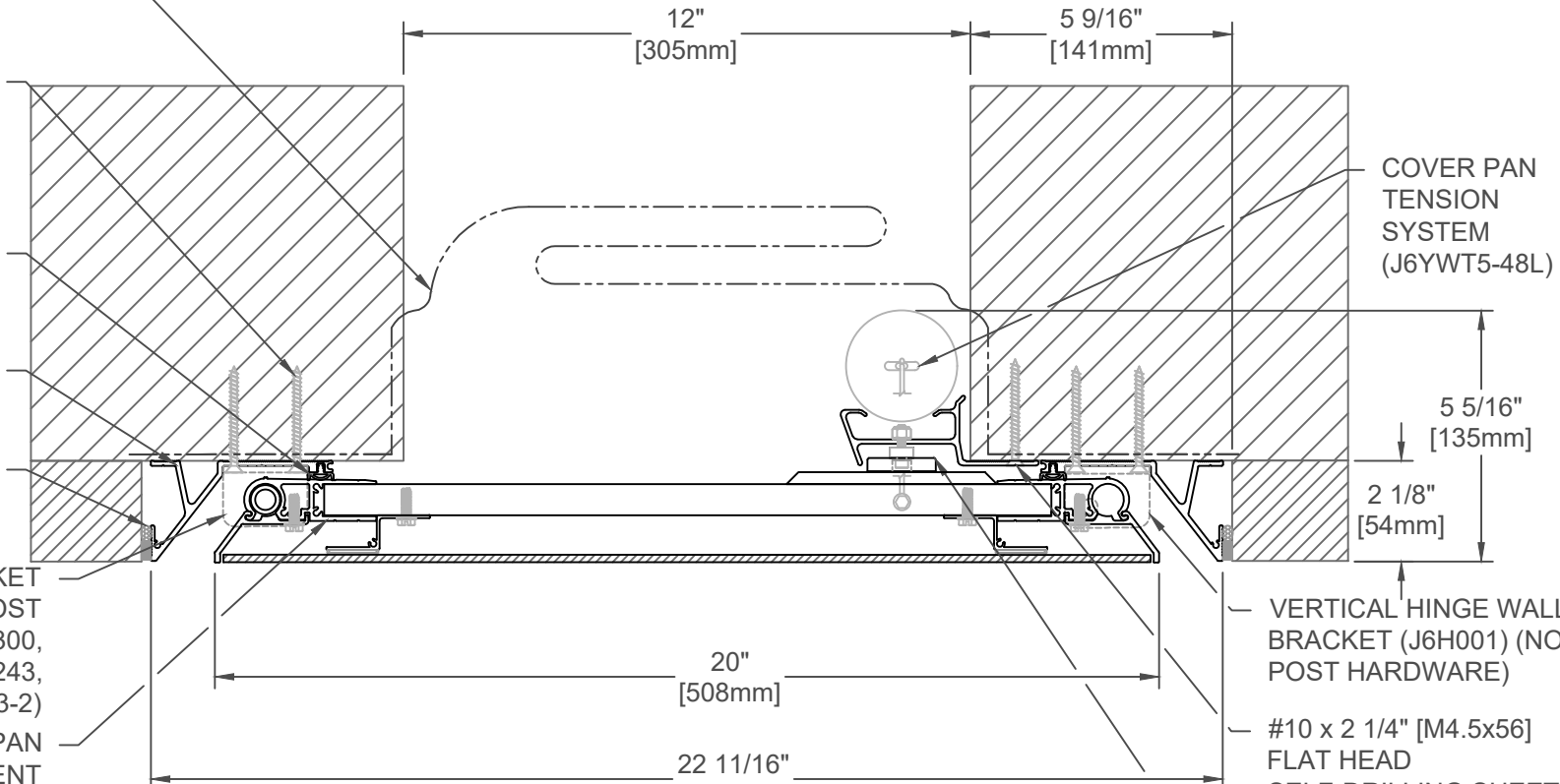
CONT. SANTOPRENE WEATHERSEAL (J6D651-M)

CONT. ALUM. VERTICAL POP-OUT FRAME (J6A652-F)

SEALANT AND BACKER ROD (BY OTHERS)

VERTICAL HINGE BRACKET (J6H001) WITH HINGE POST AND HARDWARE (J5J300, JK242, JK243, JK243-1, JK243-2)

CONT. COVER PAN ASSEMBLY W/ FIRE & DENT RESISTANT COMPOSITE METAL PANEL (COLOR: TBD) (J6C0508xxx-WL)



COVER PAN TENSION SYSTEM (J6YWT5-48L)

5 5/16" [135mm]

2 1/8" [54mm]

VERTICAL HINGE WALL BRACKET (J6H001) (NO POST HARDWARE)

#10 x 2 1/4" [M4.5x56] FLAT HEAD SELF-DRILLING SHEET METAL SCREW (4 PER FRAME CLIP) (JK247)

CONT. ALUM. CLOSURE GUIDE RAIL (J6A653-F) AND SECURING SYSTEM (JK240SS/J3M005/J3Y005)

650C-A07-300

SPECIFY PANEL COLOR:		
CLEAR ANO. (MNC)		ALUM. GRAY (AGT)
BONE WHITE (BNT)		DEEP GRAY (BGY)
OYSTER (CRT)		CHARCOAL (CNC)
BRONZE (JBR)		BLACK (BLK)

JOINT WIDTH		MOVEMENT			
		MINIMUM		MAXIMUM	
US	mm	US	mm	US	mm
12"	305	2 3/4"	70	24"	610

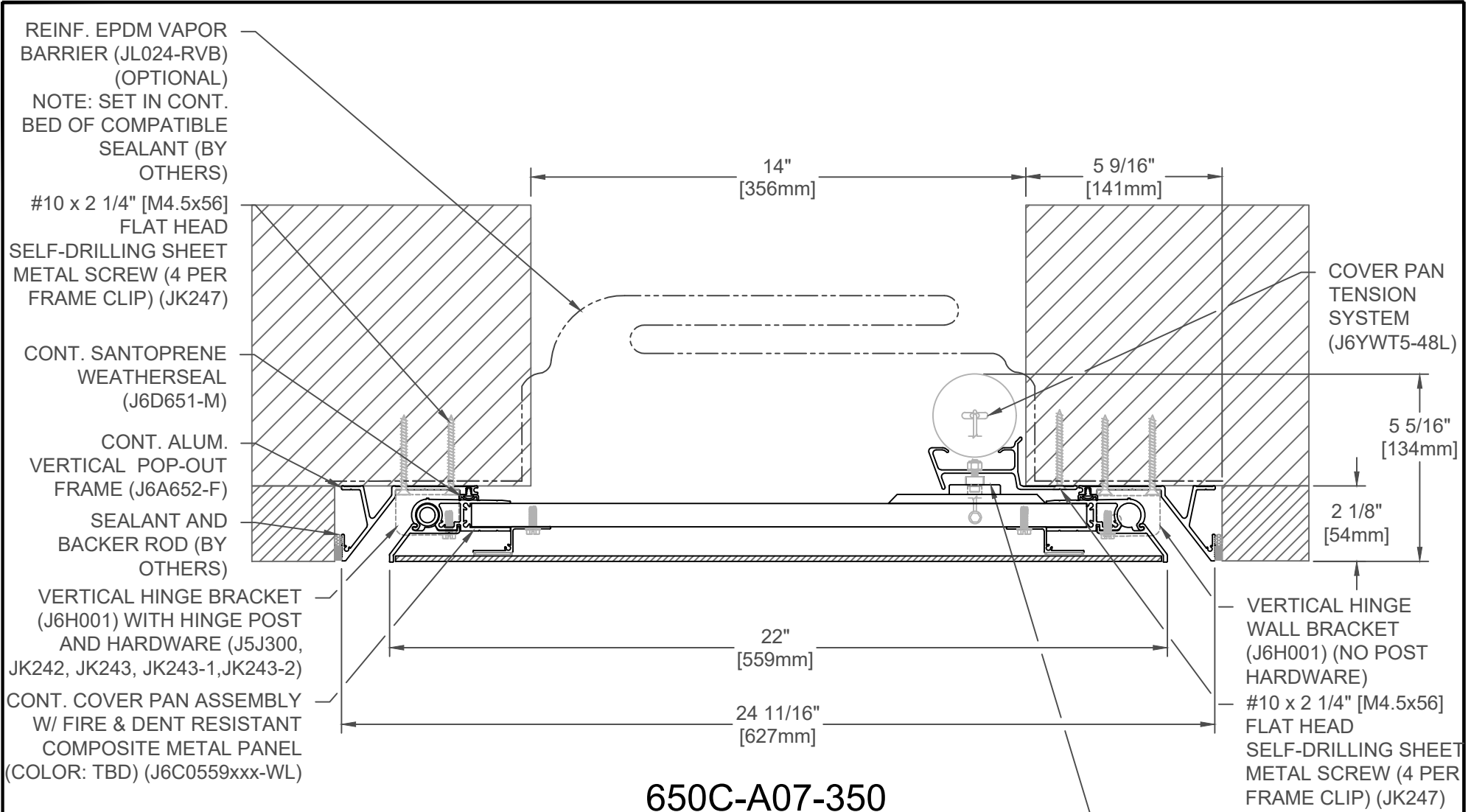
FINISH: CLEAR ANODIZED - ALUM
PROJECT:
CUSTOMER:
LOCATION:

APPLICATION - EXTERIOR
 WALL/WALL CONCEALED PAN EXPANSION JOINT SYSTEM

DATE:	9/4/18
SCALE:	1:4
DOC:	CADJM.251/R1



For More Information Visit: Inprocorp.com



650C-A07-350

SPECIFY PANEL COLOR:		
CLEAR ANO. (MNC)	ALUM. GRAY (AGT)	
BONE WHITE (BNT)	DEEP GRAY (BGY)	
OYSTER (CRT)	CHARCOAL (CNC)	
BRONZE (JBR)	BLACK (BLK)	

JOINT WIDTH		MOVEMENT			
		MINIMUM		MAXIMUM	
US	mm	US	mm	US	mm
14"	350	2 3/4"	70	28"	711

FINISH: CLEAR ANODIZED - ALUM
PROJECT:
CUSTOMER:
LOCATION:

APPLICATION - EXTERIOR
WALL/WALL CONCEALED PAN EXPANSION JOINT SYSTEM

DATE:	9/4/18
SCALE:	1:4
DOC:	CADJM.251/R1



For More Information Visit: Inprocorp.com

REINF. EPDM VAPOR BARRIER (JL024-RVB) (OPTIONAL)
 NOTE: SET IN CONT. BED OF COMPATIBLE SEALANT (BY OTHERS)

#10 x 2 1/4" [M4.5x56] FLAT HEAD SELF-DRILLING SHEET METAL SCREW (4 PER FRAME CLIP) (JK247)

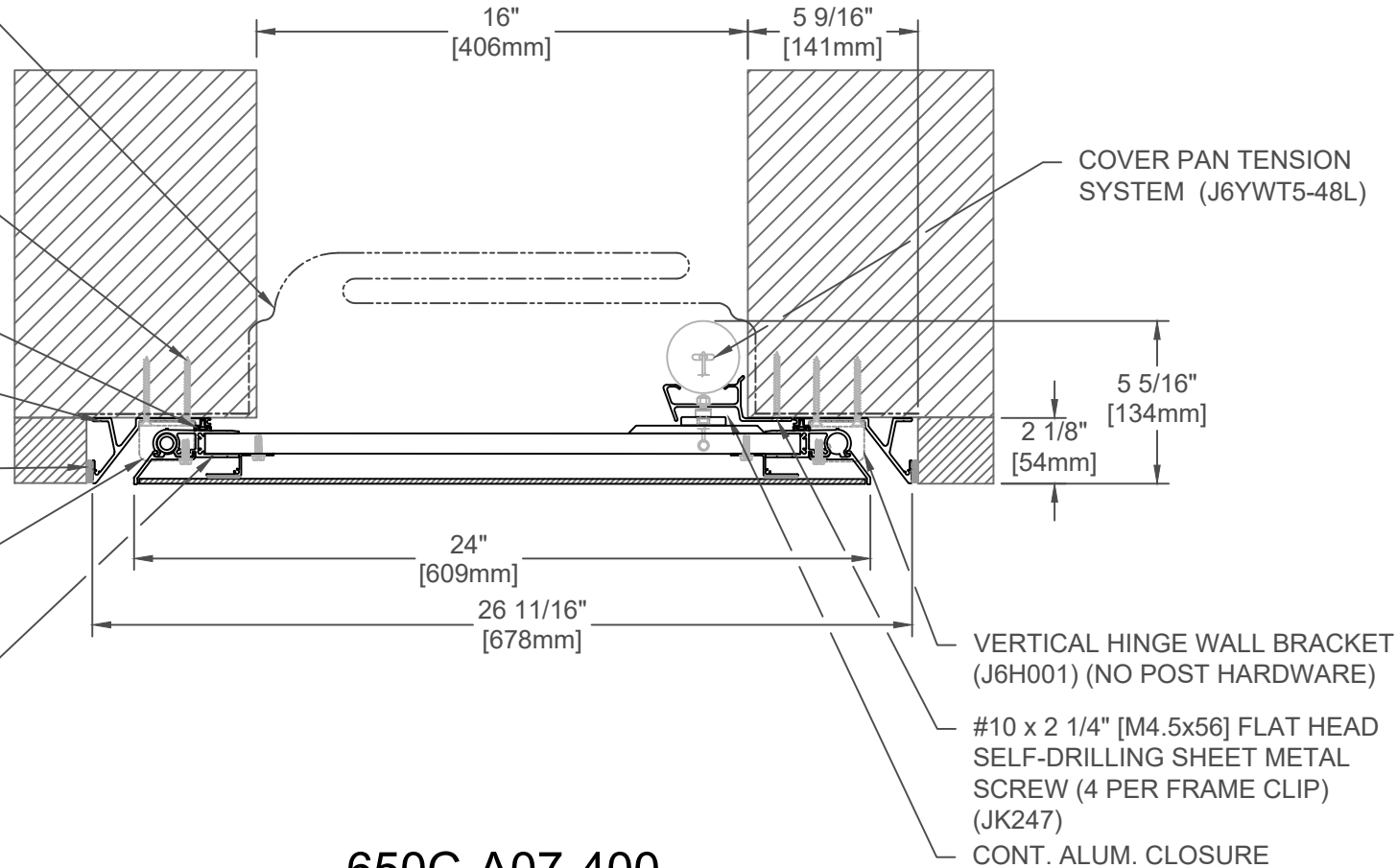
CONT. SANTOPRENE WEATHERSEAL (J6D651-M)

CONT. ALUM. VERTICAL POP-OUT FRAME (J6A652-F)

SEALANT AND BACKER ROD (BY OTHERS)

VERTICAL HINGE BRACKET (J6H001) WITH HINGE POST AND HARDWARE (J5J300, JK242, JK243, JK243-1, JK243-2)

CONT. COVER PAN ASSEMBLY W/ FIRE & DENT RESISTANT COMPOSITE METAL PANEL (COLOR: TBD) (J6C0609xxx-WL)



650C-A07-400

SPECIFY PANEL COLOR:		
CLEAR ANO. (MNC)		ALUM. GRAY (AGT)
BONE WHITE (BNT)		DEEP GRAY (BGY)
OYSTER (CRT)		CHARCOAL (CNC)
BRONZE (JBR)		BLACK (BLK)

JOINT WIDTH		MOVEMENT			
		MINIMUM		MAXIMUM	
US	mm	US	mm	US	mm
16"	406	2 3/4"	70	32"	813

FINISH: CLEAR ANODIZED - ALUM
PROJECT:
CUSTOMER:
LOCATION:

APPLICATION - EXTERIOR
 WALL/WALL CONCEALED PAN EXPANSION JOINT SYSTEM

DATE:	9/4/18
SCALE:	1:6
DOC:	CADJM.251/R1



For More Information Visit: Inprocorp.com

REINF. EPDM VAPOR BARRIER (JL024-RVB) (OPTIONAL)
NOTE: SET IN CONT. BED OF COMPATIBLE SEALANT (BY OTHERS)

#10 x 2 1/4" [M4.5x56] FLAT HEAD SELF-DRILLING SHEET METAL SCREW (4 PER FRAME CLIP) (JK247)

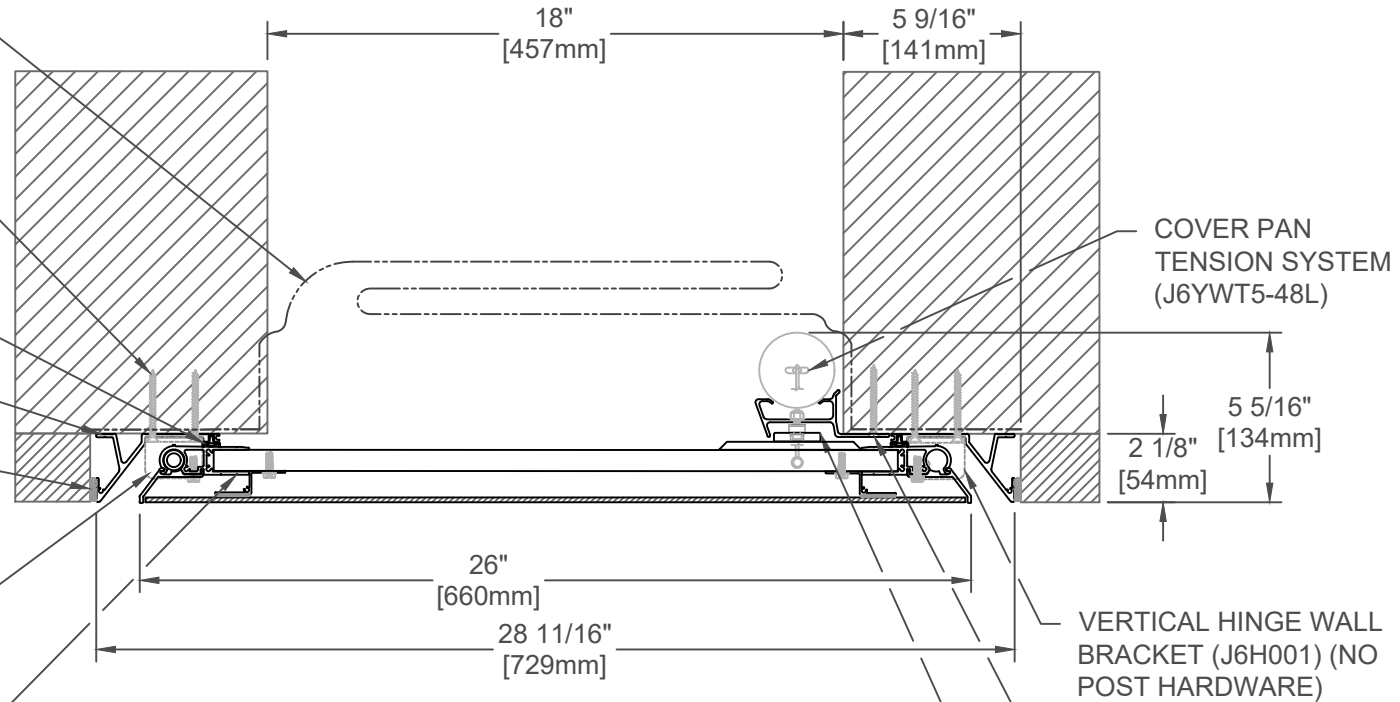
CONT. SANTOPRENE WEATHERSEAL (J6D651-M)

CONT. ALUM. VERTICAL POP-OUT FRAME (J6A652-F)

SEALANT AND BACKER ROD (BY OTHERS)

VERTICAL HINGE BRACKET (J6H001) WITH HINGE POST AND HARDWARE (J5J300, JK242, JK243, JK243-1, JK243-2)

CONT. COVER PAN ASSEMBLY W/ FIRE & DENT RESISTANT COMPOSITE METAL PANEL (COLOR: TBD) (J6C0660xxx-WL)



COVER PAN TENSION SYSTEM (J6YWT5-48L)

VERTICAL HINGE WALL BRACKET (J6H001) (NO POST HARDWARE)

#10 x 2 1/4" [M4.5x56] FLAT HEAD SELF-DRILLING SHEET METAL SCREW (4 PER FRAME CLIP) (JK247)

CONT. ALUM. CLOSURE GUIDE RAIL (J6A653-F) AND SECURING SYSTEM (JK240SS/J3M005/J3Y005)

650C-A07-450

SPECIFY PANEL COLOR:		
CLEAR ANO. (MNC)		ALUM. GRAY (AGT)
BONE WHITE (BNT)		DEEP GRAY (BGY)
OYSTER (CRT)		CHARCOAL (CNC)
BRONZE (JBR)		BLACK (BLK)

JOINT WIDTH		MOVEMENT			
		MINIMUM		MAXIMUM	
US	mm	US	mm	US	mm
18"	457	2 3/4"	70	36"	914

FINISH: CLEAR ANODIZED - ALUM

PROJECT:

CUSTOMER:

LOCATION:

APPLICATION - EXTERIOR
WALL/WALL CONCEALED PAN EXPANSION JOINT SYSTEM

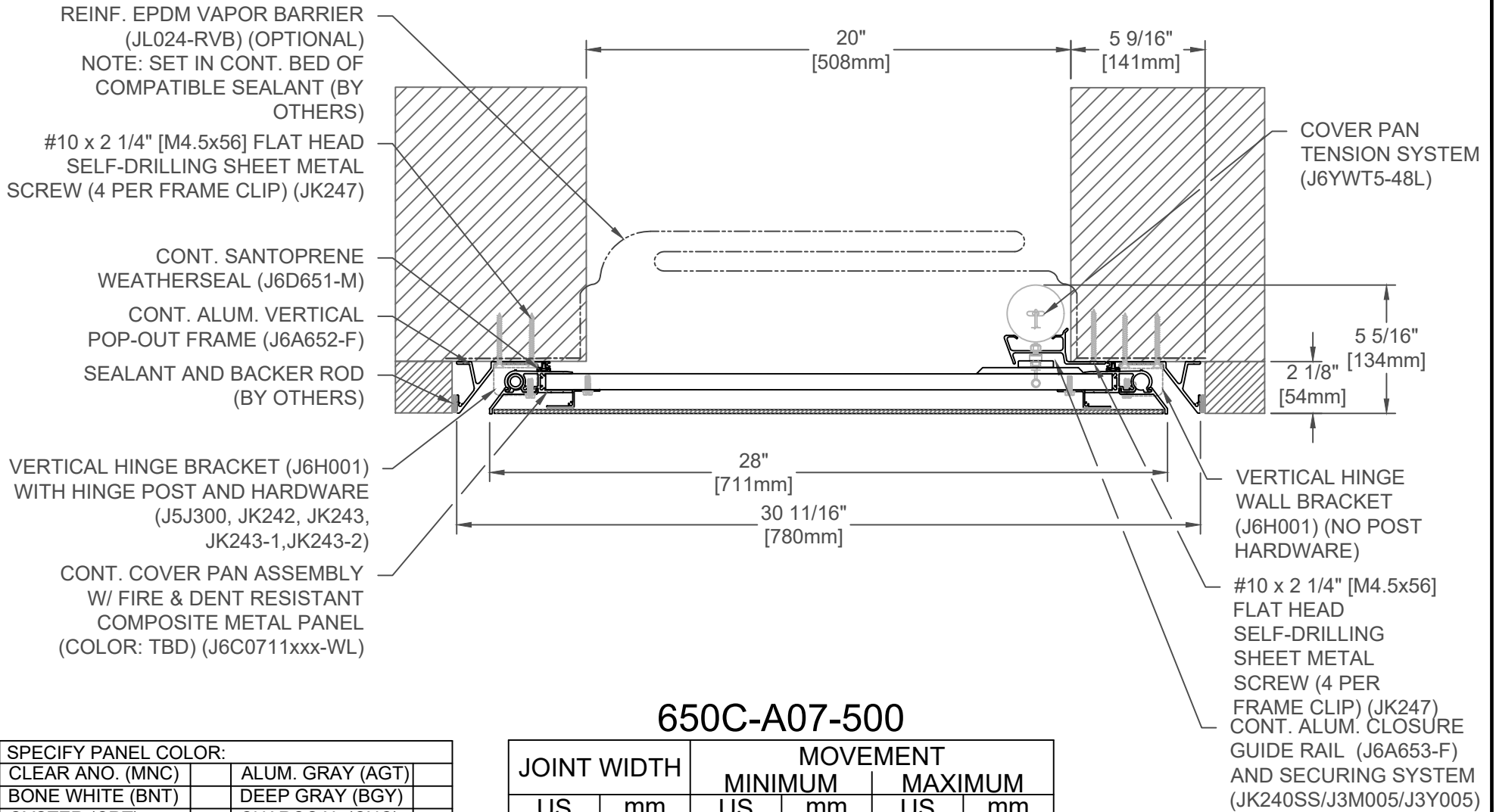
DATE: 9/4/18

SCALE: 1:6

DOC: CADJM.251/R1

inpro.

For More Information Visit: Inprocorp.com



650C-A07-500

SPECIFY PANEL COLOR:		
CLEAR ANO. (MNC)		ALUM. GRAY (AGT)
BONE WHITE (BNT)		DEEP GRAY (BGY)
OYSTER (CRT)		CHARCOAL (CNC)
BRONZE (JBR)		BLACK (BLK)

JOINT WIDTH		MOVEMENT			
		MINIMUM		MAXIMUM	
US	mm	US	mm	US	mm
20"	508	2 3/4"	70	40"	1016

FINISH: CLEAR ANODIZED - ALUM

PROJECT:

CUSTOMER:

LOCATION:

APPLICATION - EXTERIOR
WALL/WALL CONCEALED PAN EXPANSION JOINT SYSTEM

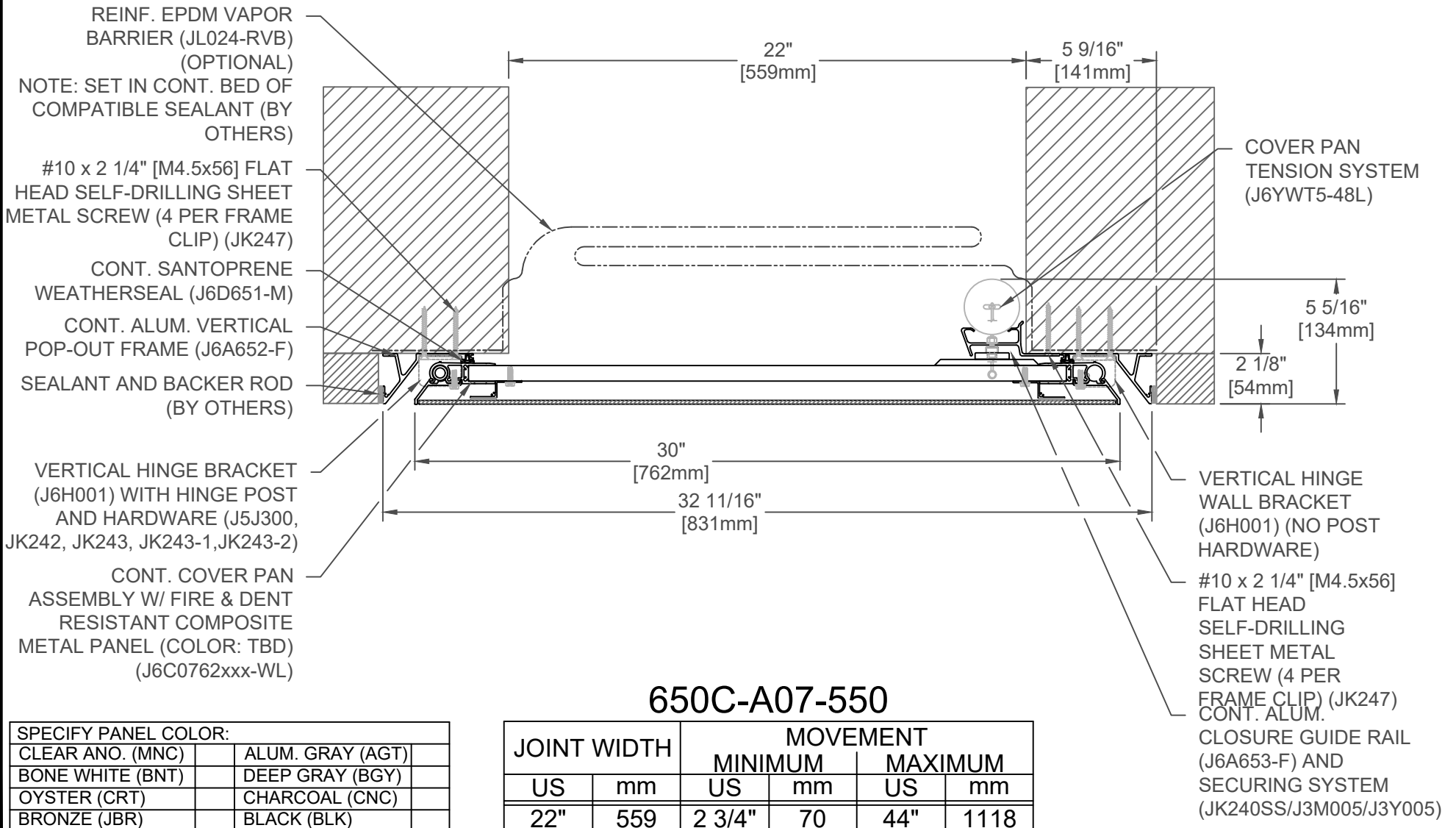
DATE: 9/4/18

SCALE: 1:6

DOC: CADJM.251/R1

inpro.

For More Information Visit: Inprocorp.com

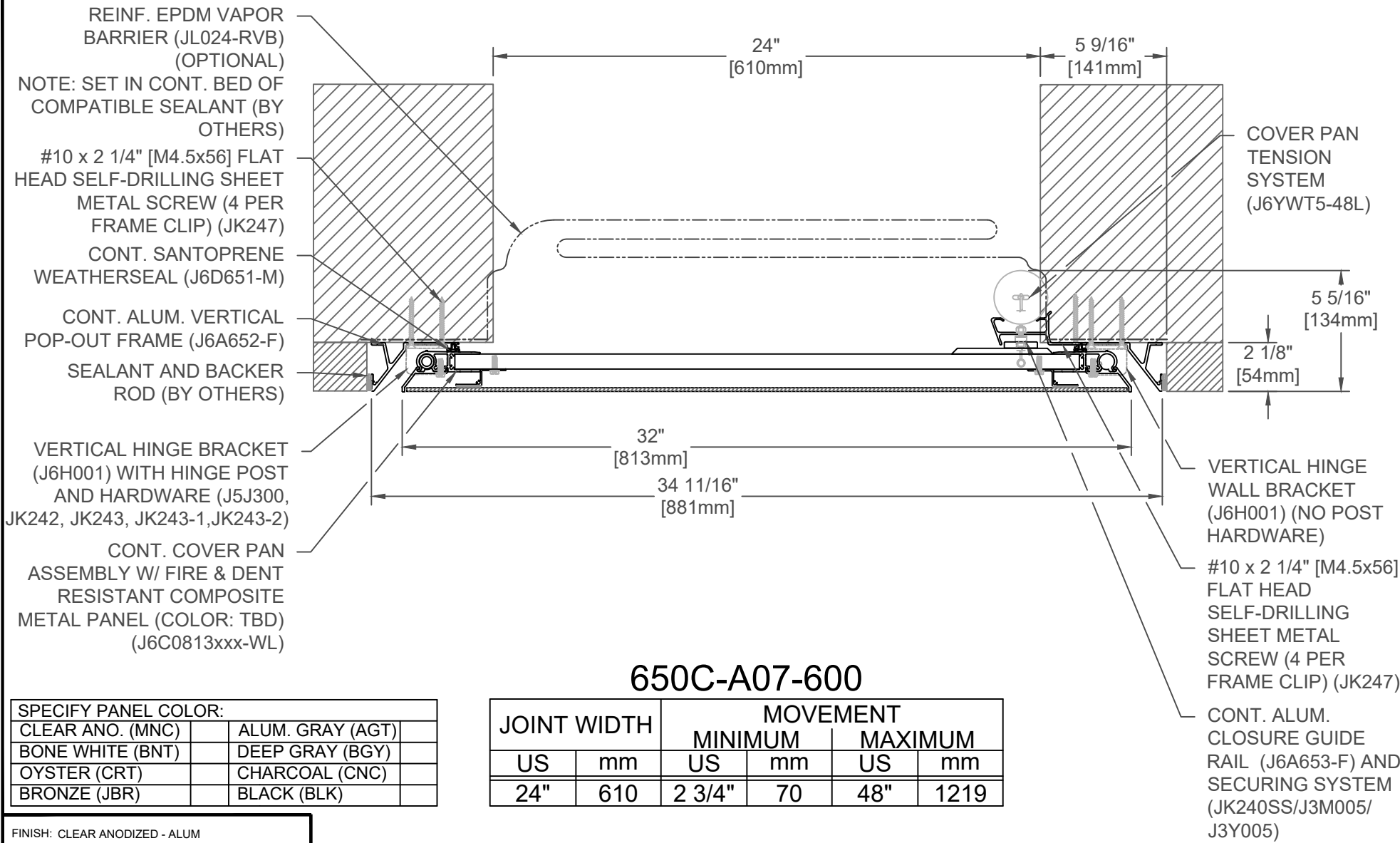


FINISH: CLEAR ANODIZED - ALUM	
PROJECT:	
CUSTOMER:	
LOCATION:	

APPLICATION - EXTERIOR
WALL/WALL CONCEALED PAN EXPANSION JOINT SYSTEM

DATE:	9/4/18
SCALE:	1:6
DOC:	CADJM.251/R1





650C-A07-600

SPECIFY PANEL COLOR:		
CLEAR ANO. (MNC)		ALUM. GRAY (AGT)
BONE WHITE (BNT)		DEEP GRAY (BGY)
OYSTER (CRT)		CHARCOAL (CNC)
BRONZE (JBR)		BLACK (BLK)

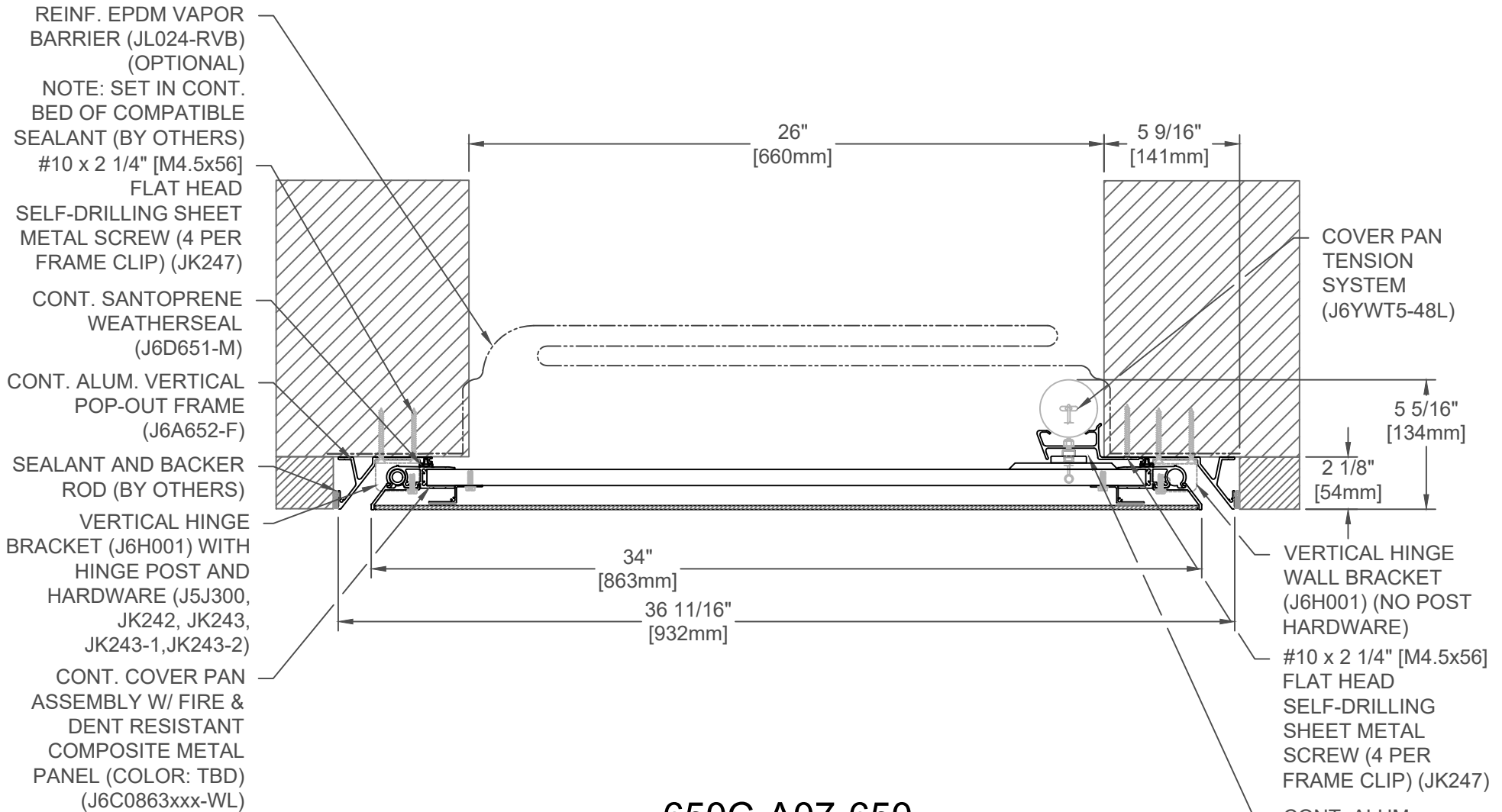
JOINT WIDTH		MOVEMENT			
		MINIMUM		MAXIMUM	
US	mm	US	mm	US	mm
24"	610	2 3/4"	70	48"	1219

FINISH: CLEAR ANODIZED - ALUM
PROJECT:
CUSTOMER:
LOCATION:

APPLICATION - EXTERIOR
WALL/WALL CONCEALED PAN EXPANSION JOINT SYSTEM

DATE: 9/4/18
SCALE: 1:6
DOC: CADJM.251/R1

inpro.
For More Information Visit: Inprocorp.com



650C-A07-650

SPECIFY PANEL COLOR:		
CLEAR ANO. (MNC)		ALUM. GRAY (AGT)
BONE WHITE (BNT)		DEEP GRAY (BGY)
OYSTER (CRT)		CHARCOAL (CNC)
BRONZE (JBR)		BLACK (BLK)

JOINT WIDTH		MOVEMENT			
		MINIMUM		MAXIMUM	
US	mm	US	mm	US	mm
26"	660	2 3/4"	70	52"	1321

FINISH: CLEAR ANODIZED - ALUM

PROJECT:

CUSTOMER:

LOCATION:

APPLICATION - EXTERIOR
 WALL/WALL CONCEALED PAN EXPANSION JOINT SYSTEM

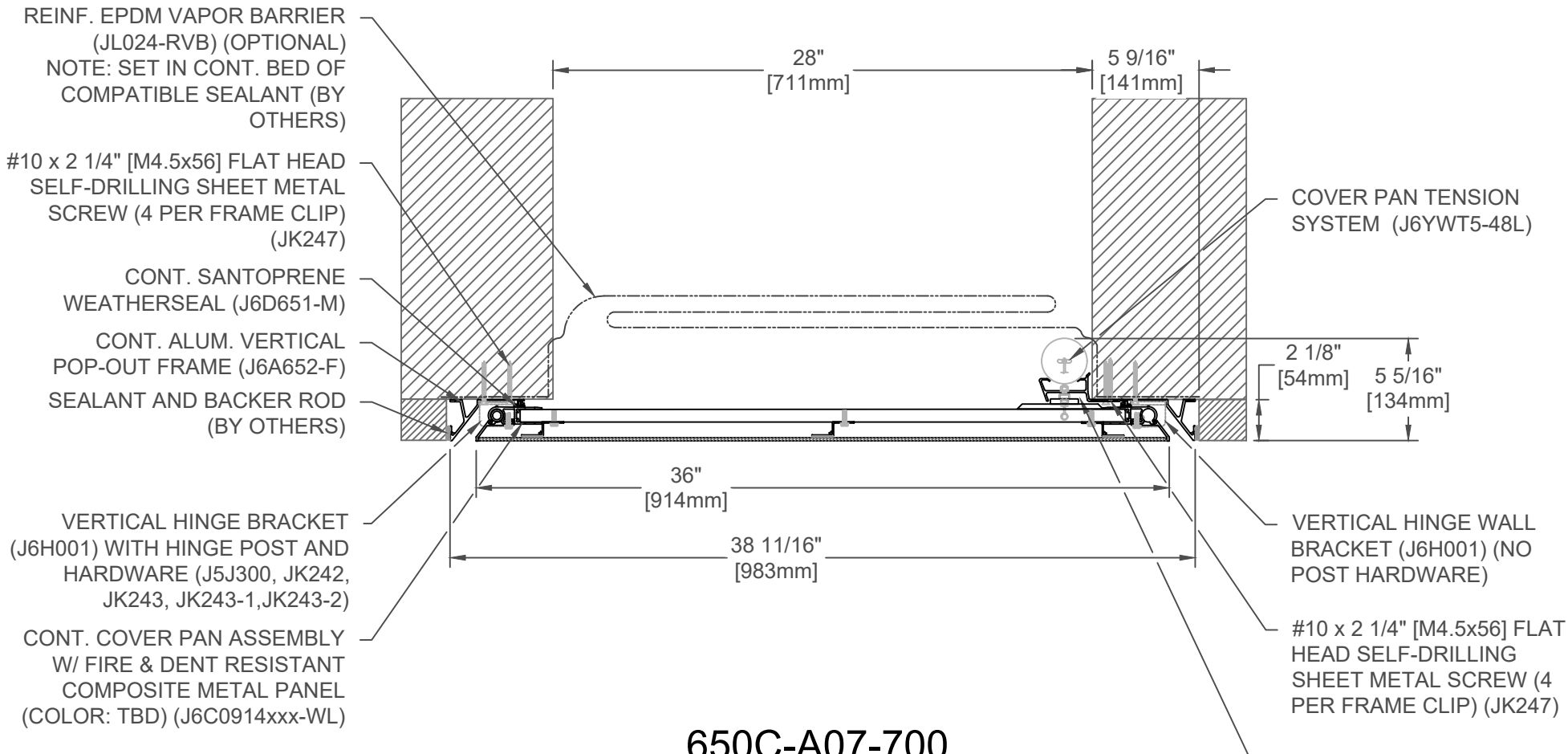
DATE: 9/4/18

SCALE: 1:6

DOC: CADJM.251/R1

inpro.

For More Information Visit: Inprocorp.com



650C-A07-700

SPECIFY PANEL COLOR:		
CLEAR ANO. (MNC)		ALUM. GRAY (AGT)
BONE WHITE (BNT)		DEEP GRAY (BGY)
OYSTER (CRT)		CHARCOAL (CNC)
BRONZE (JBR)		BLACK (BLK)

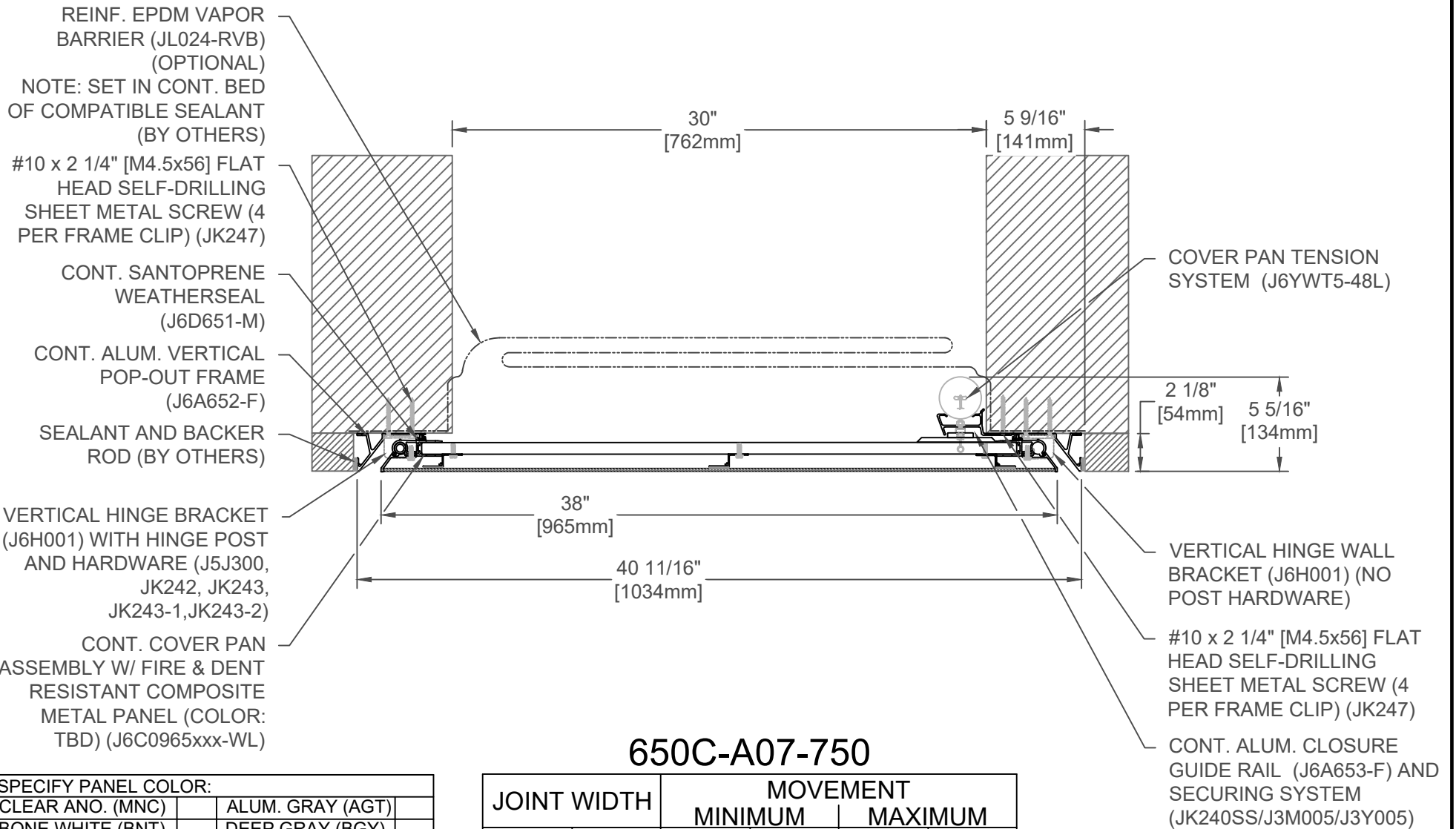
JOINT WIDTH		MOVEMENT			
		MINIMUM		MAXIMUM	
US	mm	US	mm	US	mm
28"	711	2 3/4"	70	56"	1422

FINISH: CLEAR ANODIZED - ALUM
PROJECT:
CUSTOMER:
LOCATION:

APPLICATION - EXTERIOR
WALL/WALL CONCEALED PAN EXPANSION JOINT SYSTEM

DATE:	9/4/18
SCALE:	1:8
DOC:	CADJM.251/R1


 For More Information Visit: Inprocorp.com



650C-A07-750

SPECIFY PANEL COLOR:		
CLEAR ANO. (MNC)		ALUM. GRAY (AGT)
BONE WHITE (BNT)		DEEP GRAY (BGY)
OYSTER (CRT)		CHARCOAL (CNC)
BRONZE (JBR)		BLACK (BLK)

JOINT WIDTH		MOVEMENT			
		MINIMUM		MAXIMUM	
US	mm	US	mm	US	mm
30"	762	2 3/4"	70	60"	1524

FINISH: CLEAR ANODIZED - ALUM

PROJECT:

CUSTOMER:

LOCATION:

APPLICATION - EXTERIOR
 WALL/WALL CONCEALED PAN EXPANSION JOINT SYSTEM

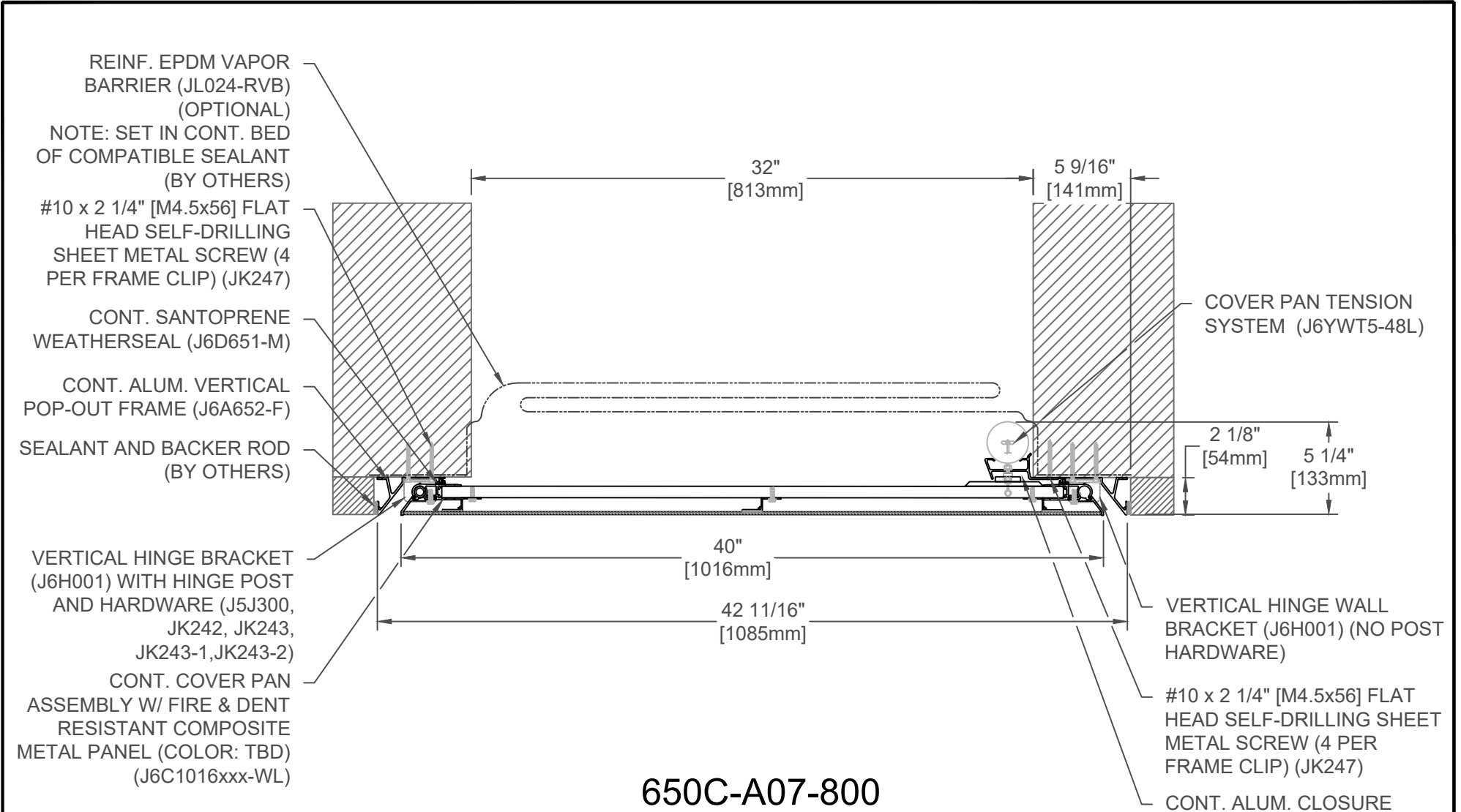
DATE: 9/4/18

SCALE: 1:8

DOC: CADJM.251/R1

inpro.

For More Information Visit: Inprocorp.com



650C-A07-800

SPECIFY PANEL COLOR:		
CLEAR ANO. (MNC)		ALUM. GRAY (AGT)
BONE WHITE (BNT)		DEEP GRAY (BGY)
OYSTER (CRT)		CHARCOAL (CNC)
BRONZE (JBR)		BLACK (BLK)

JOINT WIDTH		MOVEMENT			
		MINIMUM		MAXIMUM	
US	mm	US	mm	US	mm
32"	813	2 3/4"	70	64"	1626

FINISH: CLEAR ANODIZED - ALUM
PROJECT:
CUSTOMER:
LOCATION:

APPLICATION - EXTERIOR
WALL/WALL CONCEALED PAN EXPANSION JOINT SYSTEM

DATE:	9/4/18
SCALE:	1:8
DOC:	CADJM.251/R1



For More Information Visit: Inprocorp.com