

615-A09-050

JOINT WIDTH		MOVEMENT ±			
		HORIZONTAL		VERTICAL	
US	mm	US	mm	US	mm
2"	51	1"	25	1"	25

SPECIFY SEAL COLOR:	
Black (J6D201)	
Beige (J6D202)	
Gray (J6D203)	
Off White (J6D204)	
Bright White (J6D205)	
Greige (J6D206)	

FINISH: ALUM. FINISH - MILL

PROJECT:

CUSTOMER:

LOCATION:

APPLICATION-
FLUSH MOUNT WALL/CORNER, CEILING/WALL
EXTERIOR CONDITION

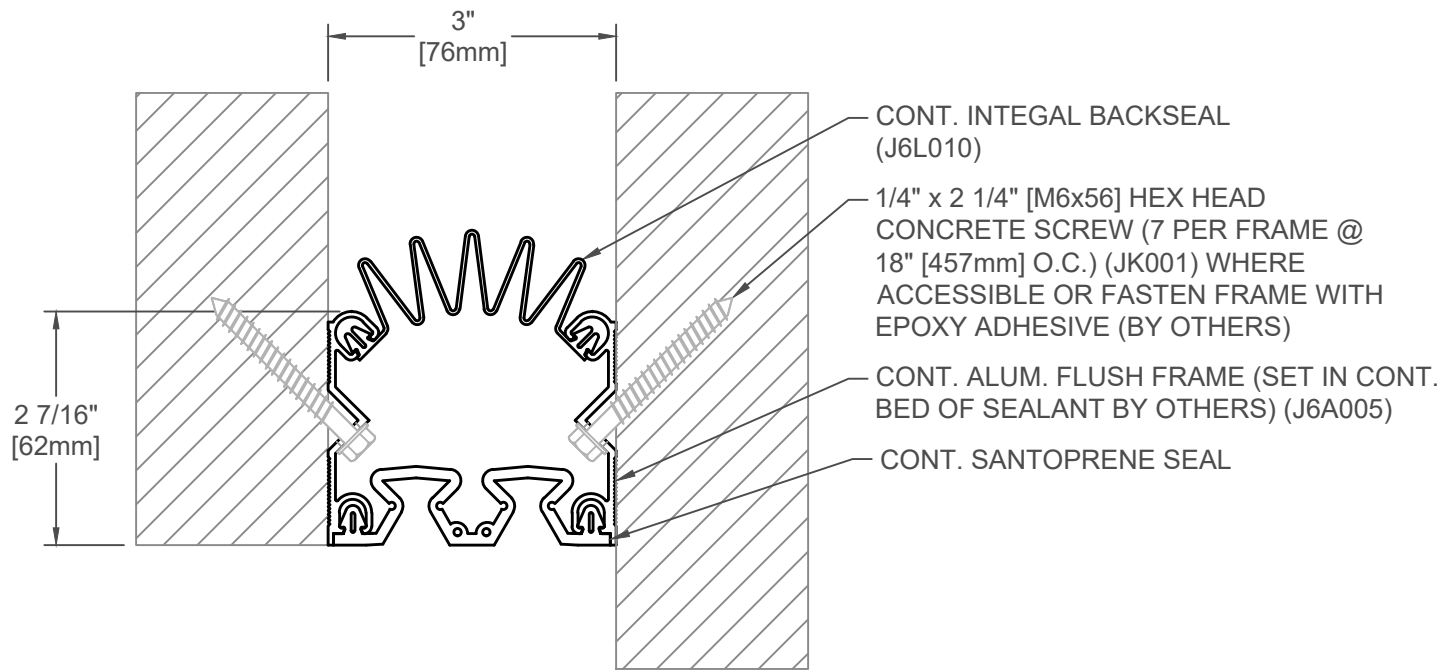
DATE: 3-14-05

SCALE: 1:2

DOC: CADJM.143/R5

inpro.

For More Information Visit: Inprocorp.com



SPECIFY SEAL COLOR:	
Black (J6D301)	
Beige (J6D302)	
Gray (J6D303)	
Off White (J6D304)	
Bright White (J6D305)	
Greige (J6D306)	

615-A09-075

JOINT WIDTH		MOVEMENT ±			
		HORIZONTAL		VERTICAL	
US	mm	US	mm	US	mm
3"	76	1-1/2"	38	1-1/2"	38

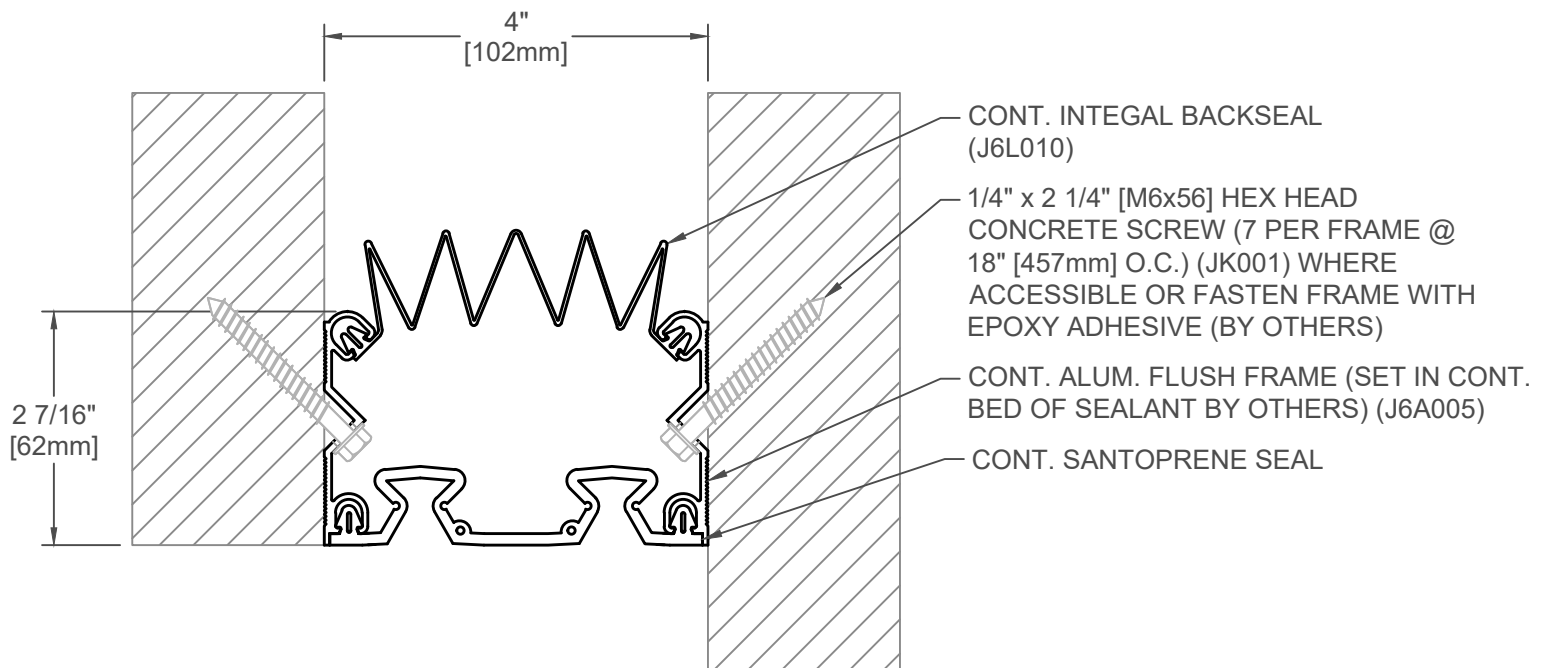
FINISH: ALUM. FINISH - MILL
PROJECT:
CUSTOMER:
LOCATION:

APPLICATION-
FLUSH MOUNT WALL/CORNER, CEILING/WALL
EXTERIOR CONDITION

DATE:	3-14-05
SCALE:	1:2
DOC:	CADJM.143/R5

inpro.

For More Information Visit: Inprocorp.com



SPECIFY SEAL COLOR:	
Black (J6D401)	
Beige (J6D402)	
Gray (J6D403)	
Off White (J6D404)	
Bright White (J6D405)	
Greige (J6D406)	

615-A09-100

JOINT WIDTH		MOVEMENT ±			
		HORIZONTAL		VERTICAL	
US	mm	US	mm	US	mm
4"	102	2"	51	2"	51

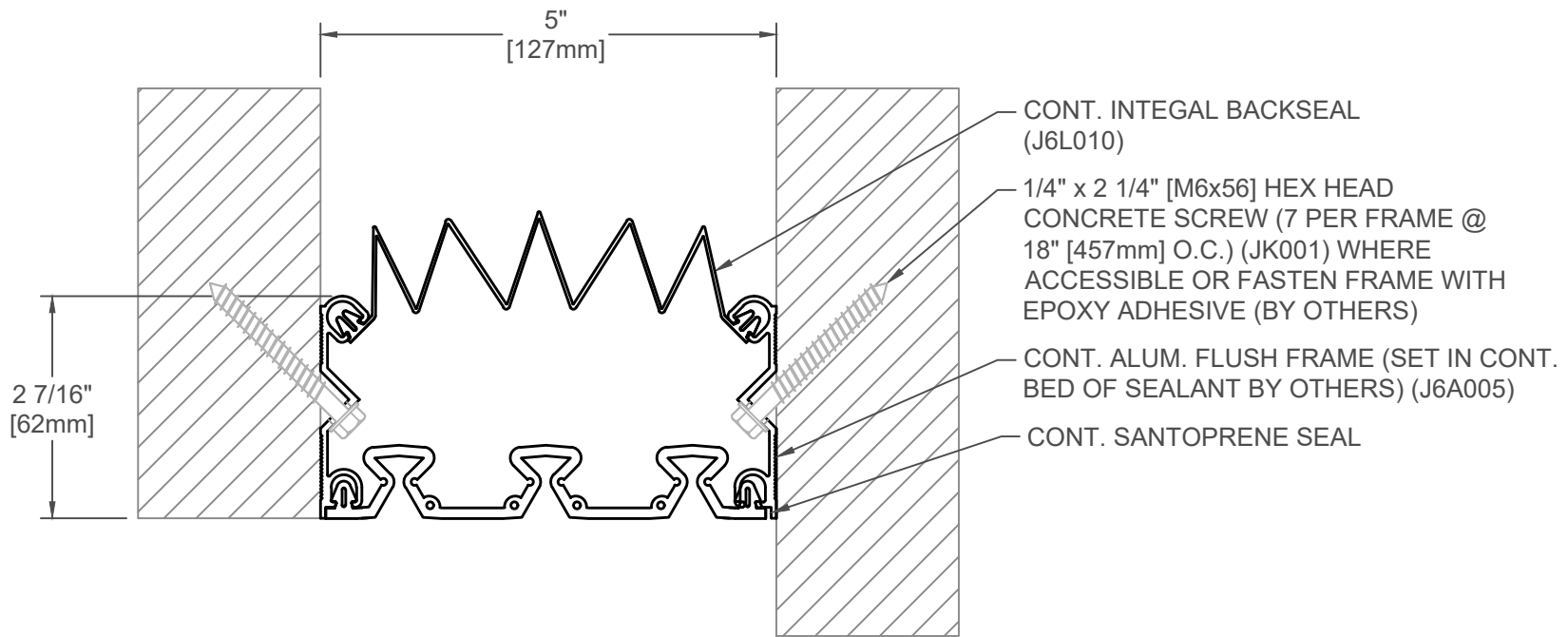
FINISH: ALUM. FINISH - MILL
PROJECT:
CUSTOMER:
LOCATION:

APPLICATION-
FLUSH MOUNT WALL/CORNER, CEILING/WALL
EXTERIOR CONDITION

DATE:	3-14-05
SCALE:	1:2
DOC:	CADJM.143/R5

inpro.

For More Information Visit: Inprocorp.com



615-A09-125

JOINT WIDTH		MOVEMENT ±			
		HORIZONTAL		VERTICAL	
US	mm	US	mm	US	mm
5"	127	2 1/2"	64	2 1/2"	64

SPECIFY SEAL COLOR:	
Black (J6D501)	
Beige (J6D502)	
Gray (J6D503)	
Off White (J6D504)	
Bright White (J6D505)	
Greige (J6D506)	

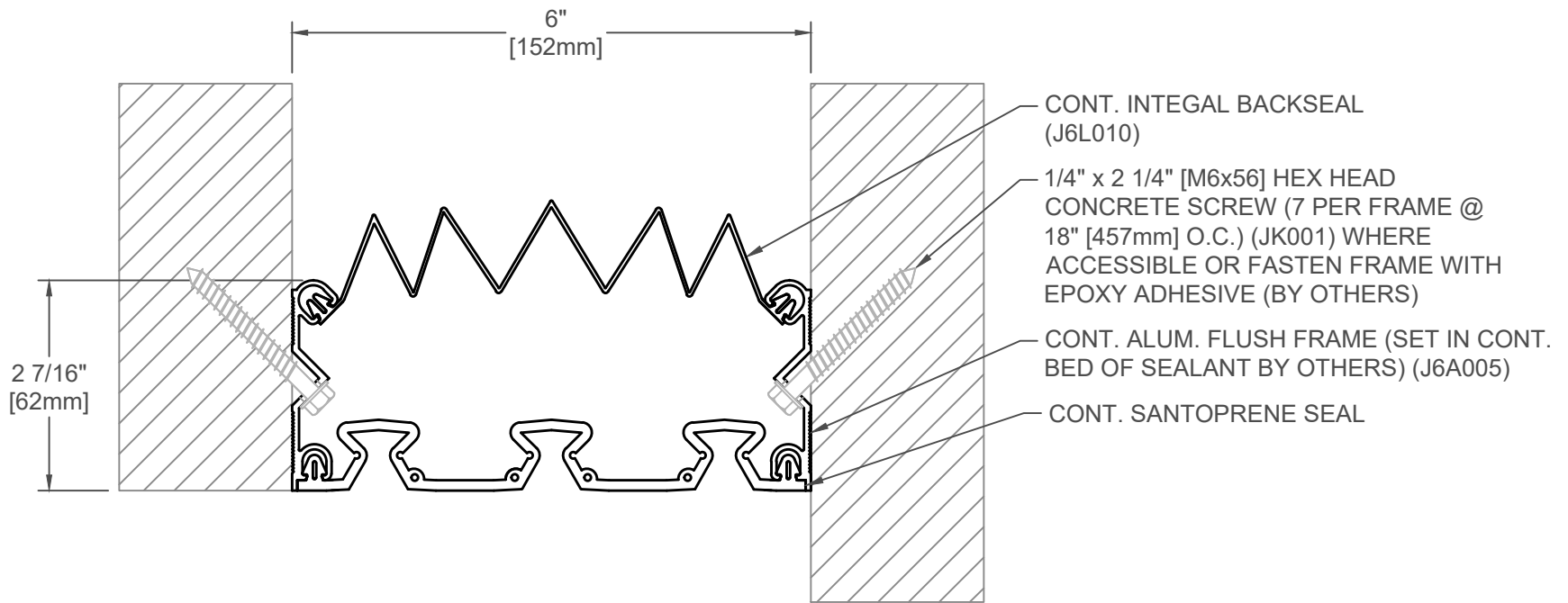
FINISH: ALUM. FINISH - MILL
PROJECT:
CUSTOMER:
LOCATION:

APPLICATION-
FLUSH MOUNT WALL/CORNER, CEILING/WALL
EXTERIOR CONDITION

DATE:	3-14-05
SCALE:	1:2
DOC:	CADJM.143/R5

inpro.

For More Information Visit: Inprocorp.com



SPECIFY SEAL COLOR:	
Black (J6D601)	
Beige (J6D602)	
Gray (J6D603)	
Off White (J6D604)	
Bright White (J6D605)	
Greige (J6D606)	

615-A09-150

JOINT WIDTH		MOVEMENT ±			
		HORIZONTAL		VERTICAL	
US	mm	US	mm	US	mm
6"	152	3"	76	3"	76

FINISH: ALUM. FINISH - MILL
PROJECT:
CUSTOMER:
LOCATION:

APPLICATION-
FLUSH MOUNT WALL/CORNER, CEILING/WALL
EXTERIOR CONDITION

DATE:	3-14-05
SCALE:	1:2
DOC:	CADJM.143/R5

inpro.

For More Information Visit: Inprocorp.com