

# Installation Instructions

## 50AA/ 56AA Aluminum Wall Guard

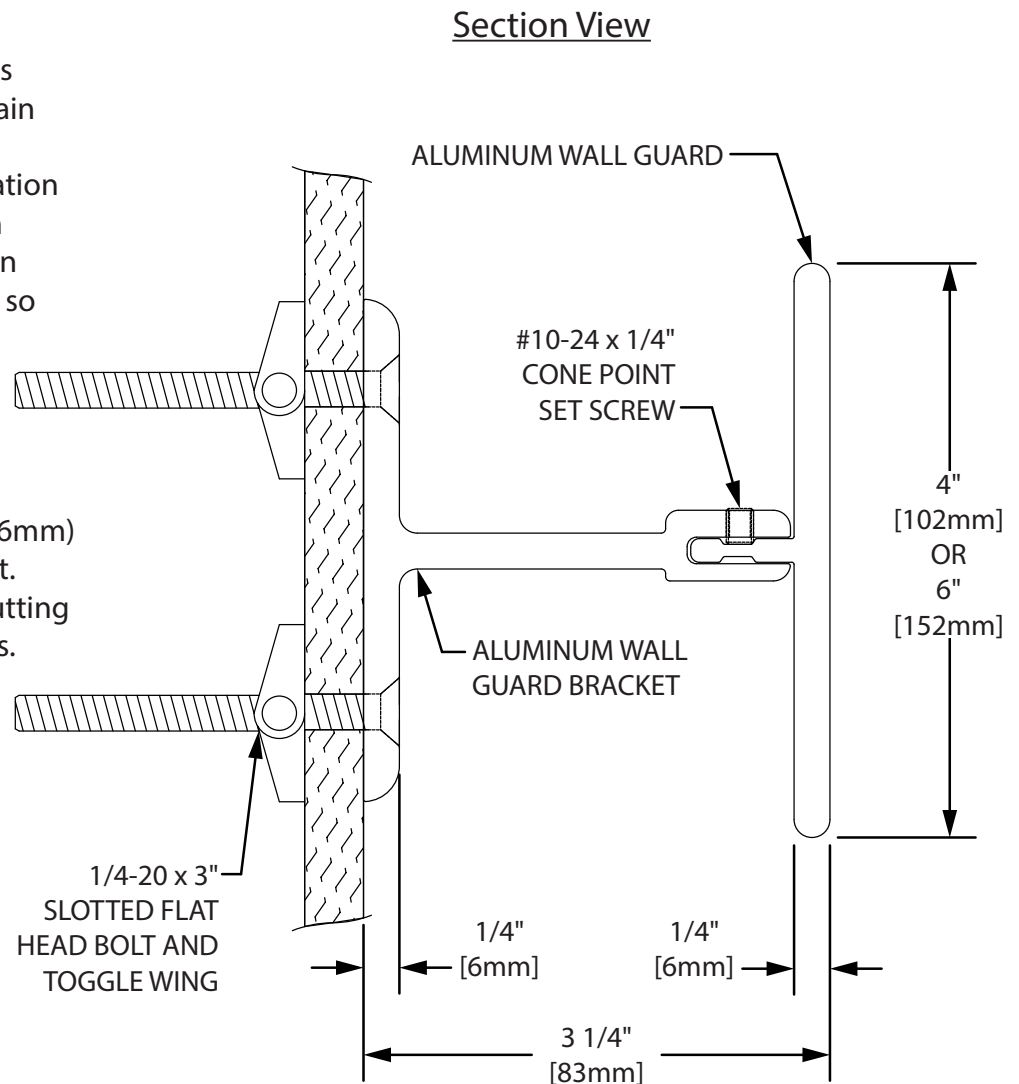
Please read all instructions before installing wallguard.

### Important

1. Acclimate materials 24 hrs before installation. Maintain temperature controlled environment after installation
2. Install in accordance with manufacturer's installation instructions. Failure to do so will void the warranty.

### Installation tips

1. Cut covers up to 1/16" (1.6mm) longer to ensure a tight fit.
2. Lubricate blades when cutting aluminum to reduce burrs.



### Recommended tools

Safety Glasses, Tape Measure, Level, Power Drill, Drill Bits - 1/4" masonry (concrete/concrete block), Power Miter Saw, 10" Blade with 60-80 Carbide Tipped Teeth

IPC.611/REV.4

IPC® Door + Wall Protection

inpro.com • 800.222.5556 • 262.679.9010

World Headquarters S80 W18766 Apollo Drive, Muskego, WI 53150 USA

Installation Hotline: 866.394.6776

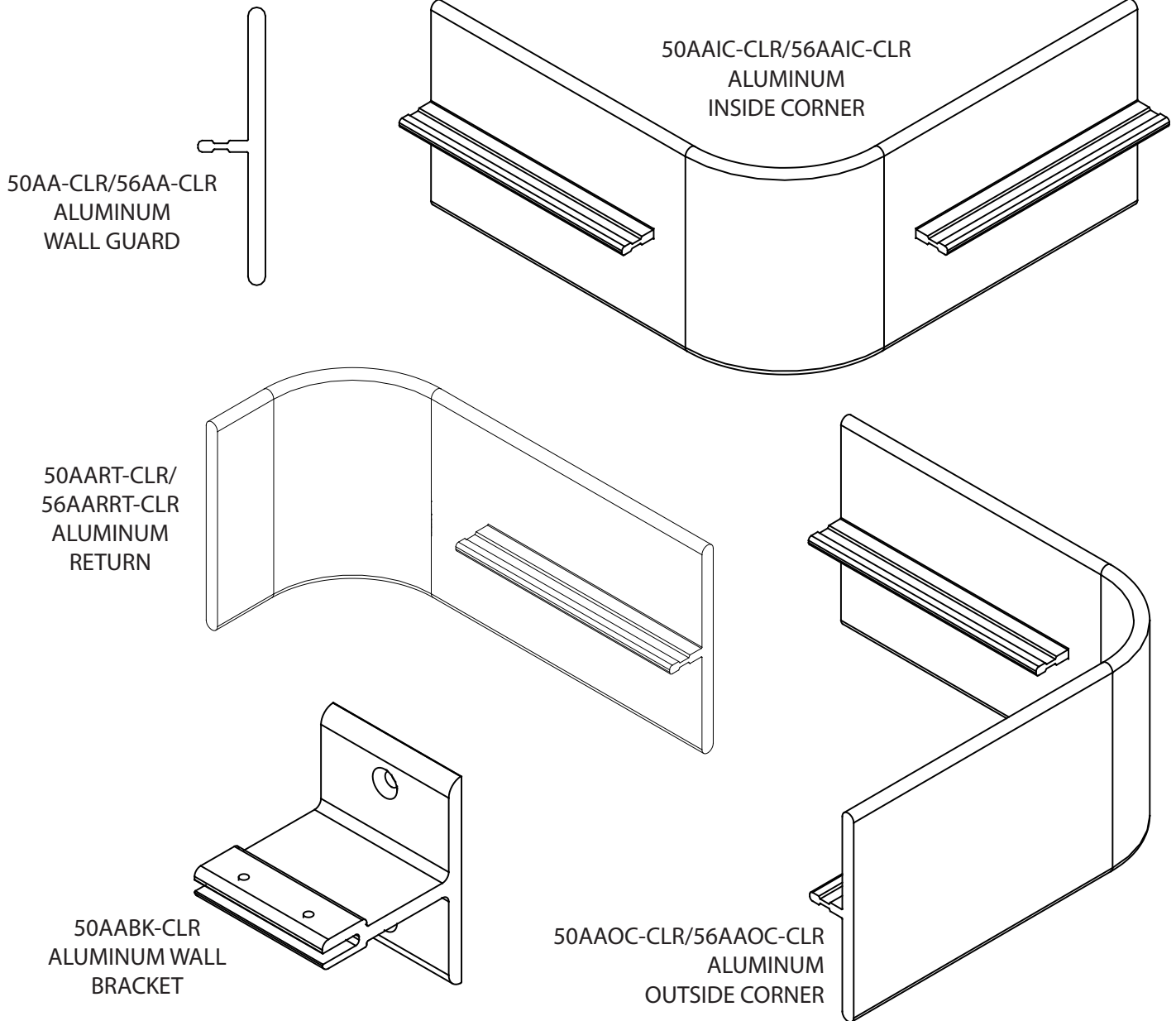
**inpro**®

# Installation Instructions

## 50AA/ 56AA Aluminum Wall Guard

Please read all instructions before installing wallguard.

### Components and fasteners



Wall Condition	Specified Fasteners	Inpro Part #
Concrete	1/4"-20x3" Flat Head, Lead Anchor and #10-24 Cup Point SS Nylon Patch	50AABK-C
Drywall	1/4"-20x3" Flat Head, Toggle Wing and #10-24 Cup Point SS Nylon Patch	50AABK-D
Wood	1/4"x3 1/2" Flat Head Wood Screw and #10-24 Cup Point SS Nylon Patch	50AABK-W

IPC® Door + Wall Protection

inpro.com • 800.222.5556 • 262.679.9010

World Headquarters S80 W18766 Apollo Drive, Muskego, WI 53150 USA

Installation Hotline: 866.394.6776

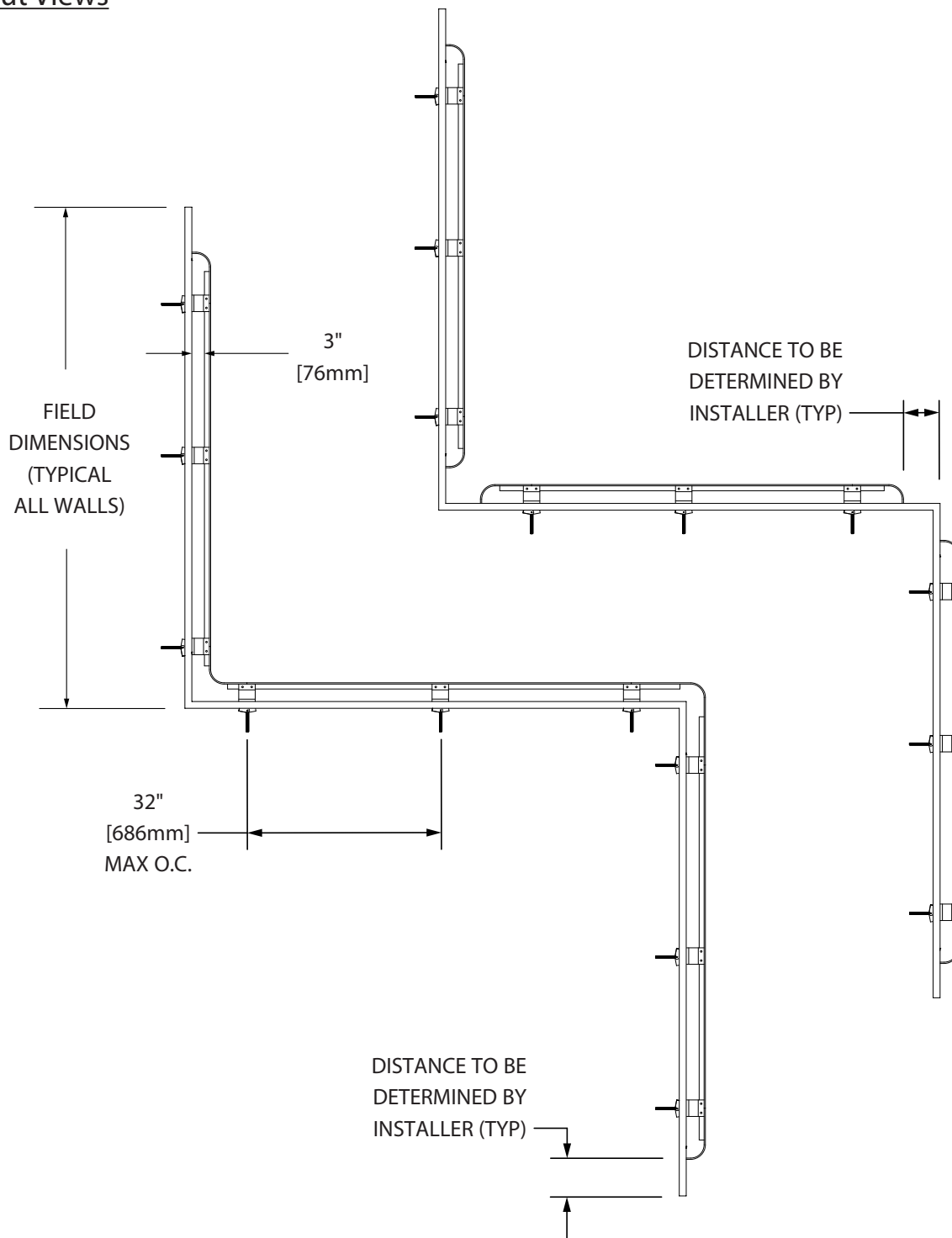
**inpro**®

# Installation Instructions

## 50AA/ 56AA Aluminum Wall Guard

Please read all instructions before installing wallguard.

### Layout Views



IPC® Door + Wall Protection

inpro.com • 800.222.5556 • 262.679.9010

World Headquarters S80 W18766 Apollo Drive, Muskego, WI 53150 USA

Installation Hotline: 866.394.6776

**inpro**®

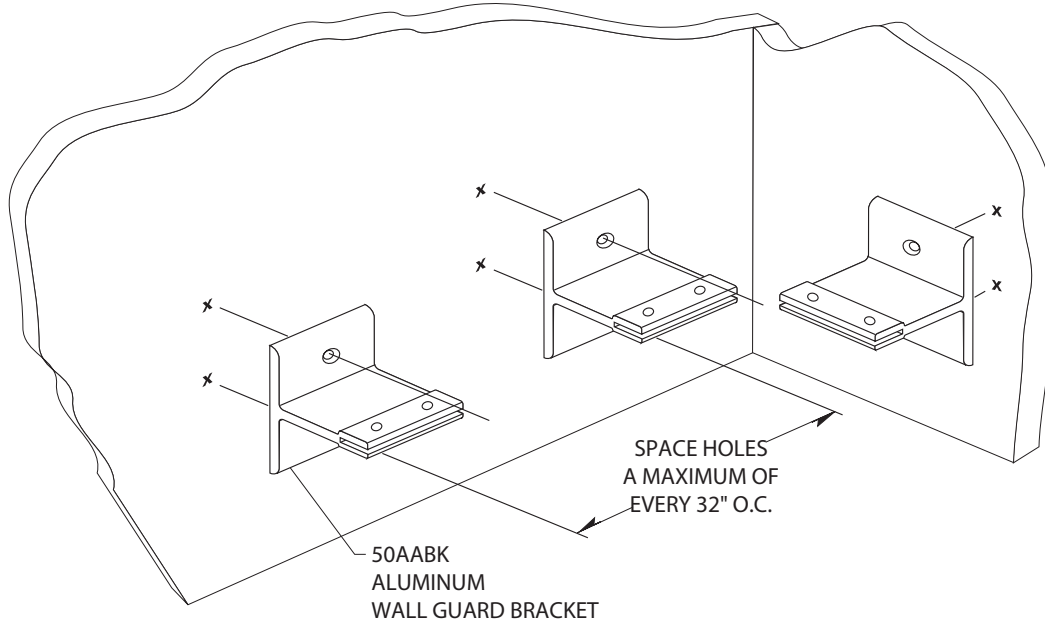
# Installation Instructions

## 50AA/ 56AA Aluminum Wall Guard

Please read all instructions before installing wallguard.

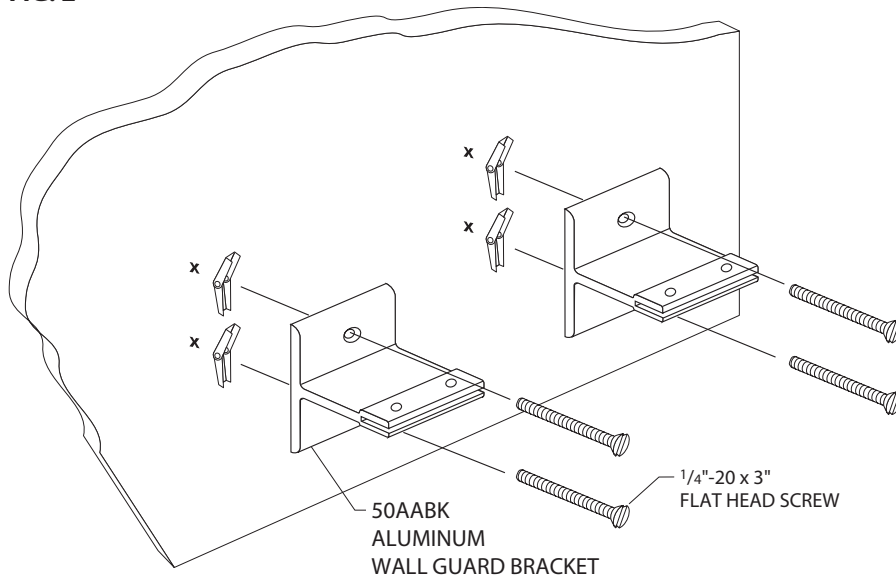
### 50AA Shown

FIG. 1



1. Determine height of wall guard. Deduct 1/4" and snap chalk line. Position top edge of bracket against chalk line. Transfer mounting holes to wall. SEE FIG. 1

FIG. 2



2. Drill marked holes with 3/4" drill bit for toggle bolts (drywall installation) or 1/2" drill bit for lead anchor (concrete wall installation). Mount brackets to wall, tighten screws to secure. SEE FIG. 2

IPC® Door + Wall Protection

inpro.com • 800.222.5556 • 262.679.9010

World Headquarters S80 W18766 Apollo Drive, Muskego, WI 53150 USA

Installation Hotline: 866.394.6776

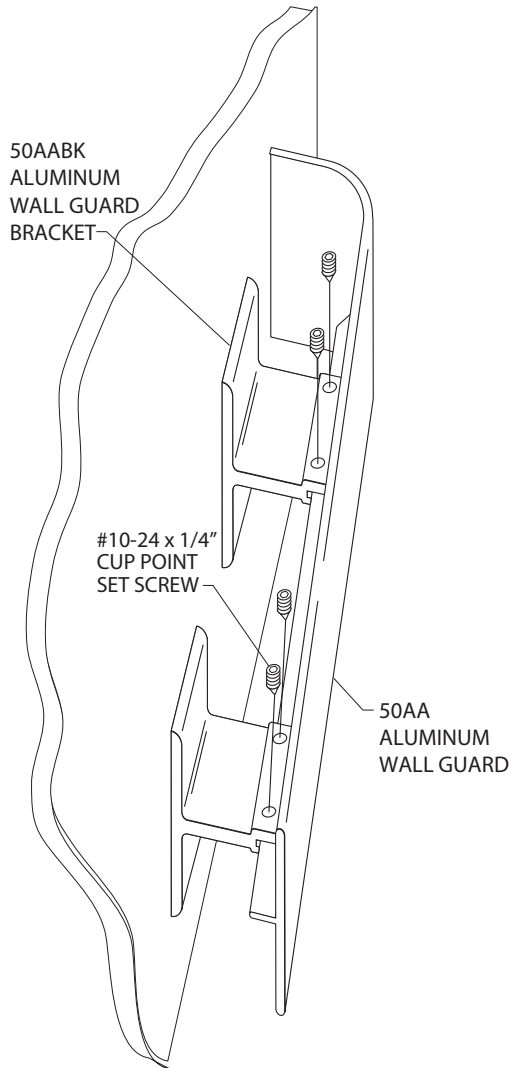
**inpro**®

# Installation Instructions

## 50AA/ 56AA Aluminum Wall Guard

Please read all instructions before installing wallguard.

FIG. 3



3. Position wall guard into mounting brackets. Tighten the wall guard into the brackets with set screws.

SEE FIG. 3

**Note:** When joining two sections of wall guard, use a bracket. The mounting tab of each wall guard section slides halfway into the mounting slot.

