

Installation Instructions

5000i/5055i/G2-5000i Wall Guard

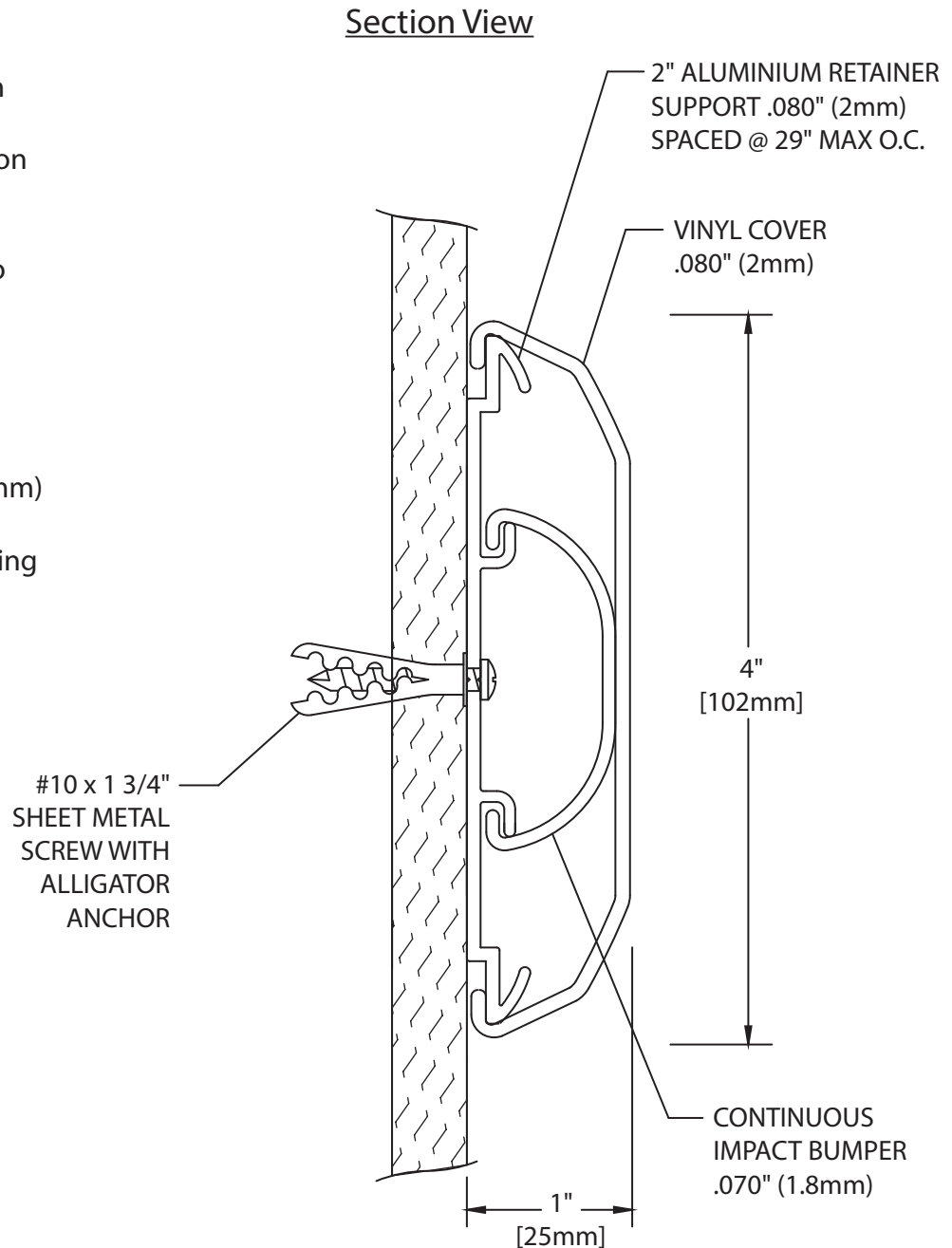
Please read all instructions before installing wallguard.

Important

1. Acclimate materials 24 hrs before installation. Maintain temperature controlled environment after installation
2. Install in accordance with manufacturer's installation instructions. Failure to do so will void the warranty.

Installation tips

1. Cut covers up to 1/16" (1.6mm) longer to ensure a tight fit.
2. Lubricate blades when cutting aluminum to reduce burrs.



Recommended tools

Safety Glasses, Tape Measure, 3/8" socket for machine screw hex bolt, 7/16" socket for wood screw hex bolt Level, Power Drill, Drill Bits - 1/4" masonry (concrete/concrete block), Power Miter Saw, 10" Blade with 60-80 Carbide Tipped Teeth

IPC.569/REV.8

IPC® Door + Wall Protection

inpro.com • 800.222.5556 • 262.679.9010

World Headquarters S80 W18766 Apollo Drive, Muskego, WI 53150 USA

Installation Hotline: 866.394.6776

inpro®

Installation Instructions

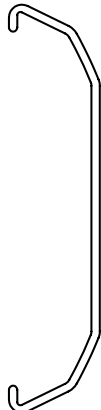
5000i/5055i/G2-5000i Wall Guard

Please read all instructions before installing wallguard.

Components and fasteners



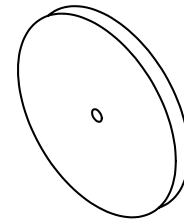
5000i
2" ALUMINUM
RETAINER SUPPORT



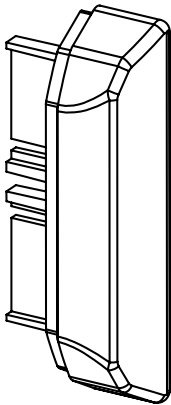
5000V
VINYL COVER



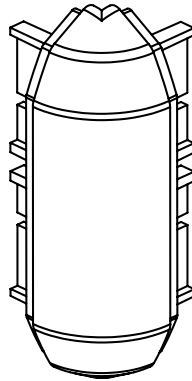
1400B
CONTINUOUS
IMPACT BUMPER



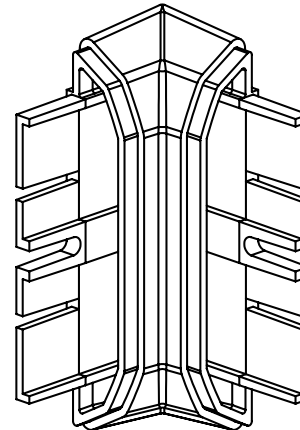
501
1/2" THICK
RUBBER SPACER



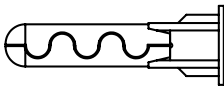
5001
END CAP



5002
OUTSIDE CORNER



5007
INSIDE CORNER



1/4"
ALLIGATOR
ANCHOR



#10 x 1 3/4"
PHILLIPS PAN HEAD
SHEET METAL SCREW



#8 x 1 1/2"
PHILLIPS INDENTED HEX
WASHER SELF DRILLING

Wall Condition	Specified Fasteners	Inpro Part #
Infinity Hardware Kit	#10 x 1 3/4" Phillips Pan Head Sheet Metal Screw and 1/4" Alligator Anchor x6	HWK-1400i
Corner Hardware Kit - Concrete	#10 x 1 3/4" Phillips Pan Head Sheet Metal Screw and 1/4" Alligator Anchor x2	HWK-CC
Corner Hardware Kit - Drywall	#8 x 1 1/2" Phillips Indented Hex Washer Self Drilling Screw x2	HWK-CDW

IPC® Door + Wall Protection

inpro.com • 800.222.5556 • 262.679.9010

World Headquarters S80 W18766 Apollo Drive, Muskego, WI 53150 USA

Installation Hotline: 866.394.6776

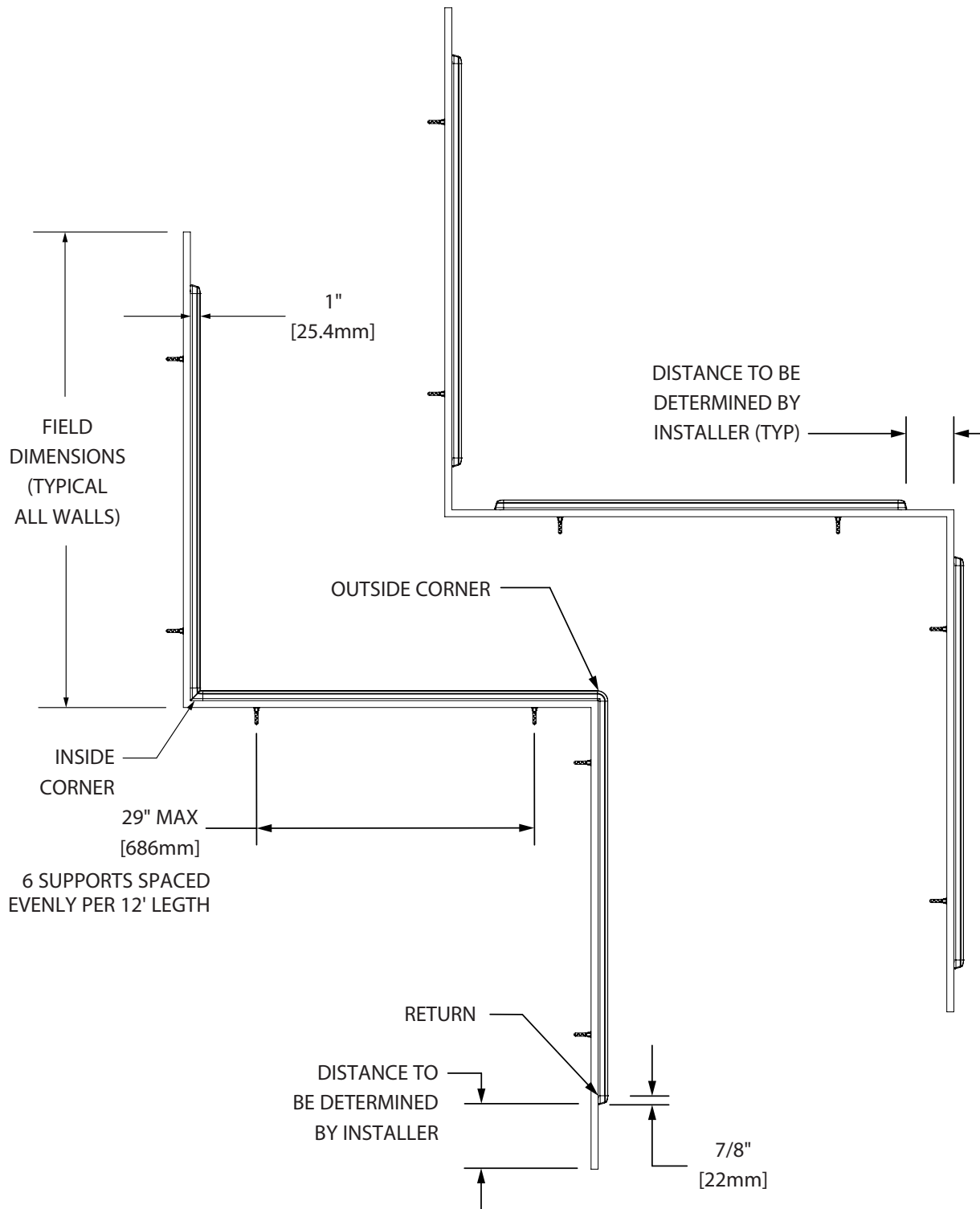
inpro®

Installation Instructions

5000i/5055i/G2-5000i Wall Guard

Please read all instructions before installing wallguard.

Layout Views



IPC® Door + Wall Protection

inpro.com • 800.222.5556 • 262.679.9010

World Headquarters S80 W18766 Apollo Drive, Muskego, WI 53150 USA

Installation Hotline: 866.394.6776

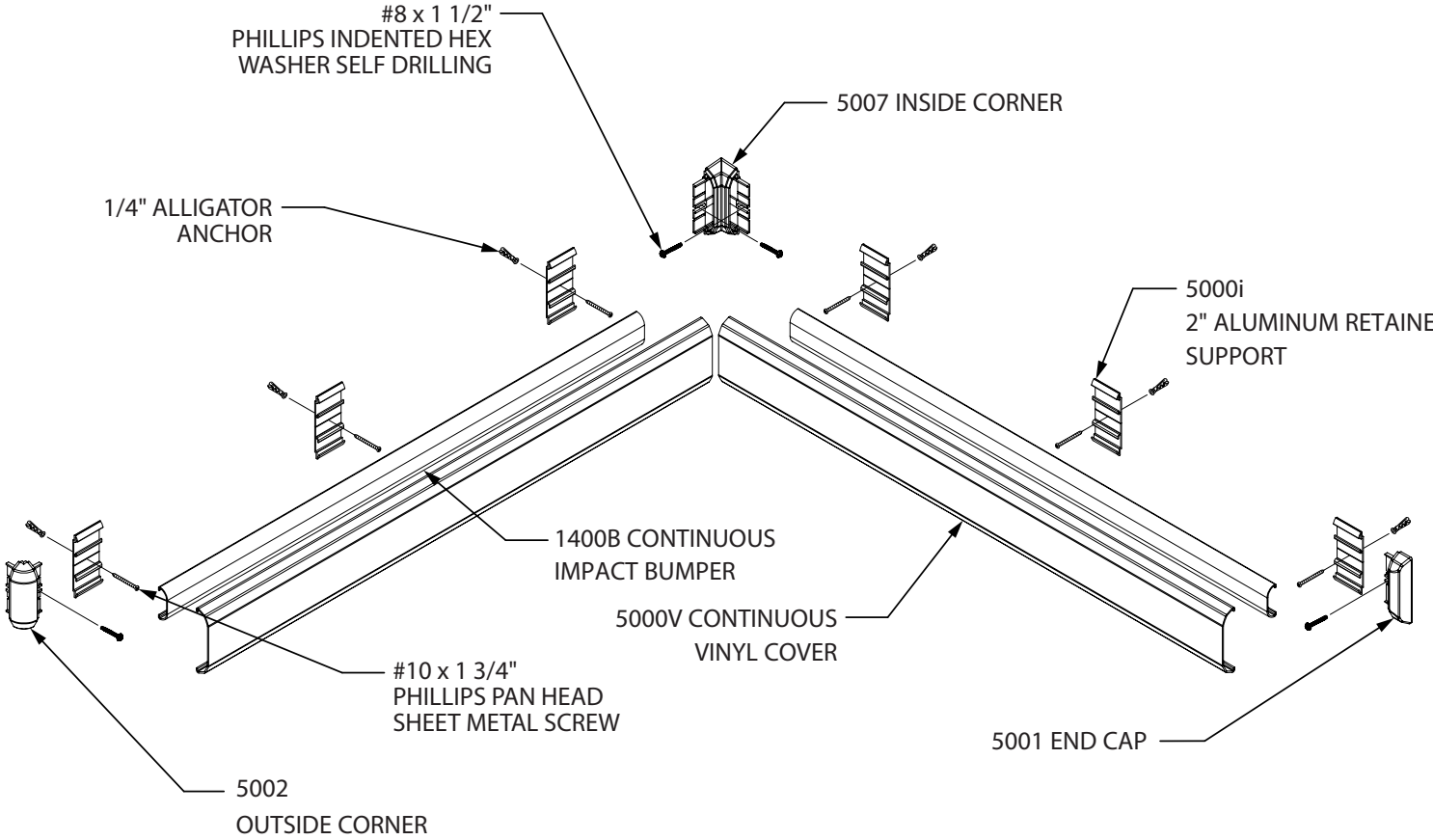
inpro®

Installation Instructions

5000i/5055i/G2-5000i Wall Guard

Please read all instructions before installing wallguard.

Exploded Assembly

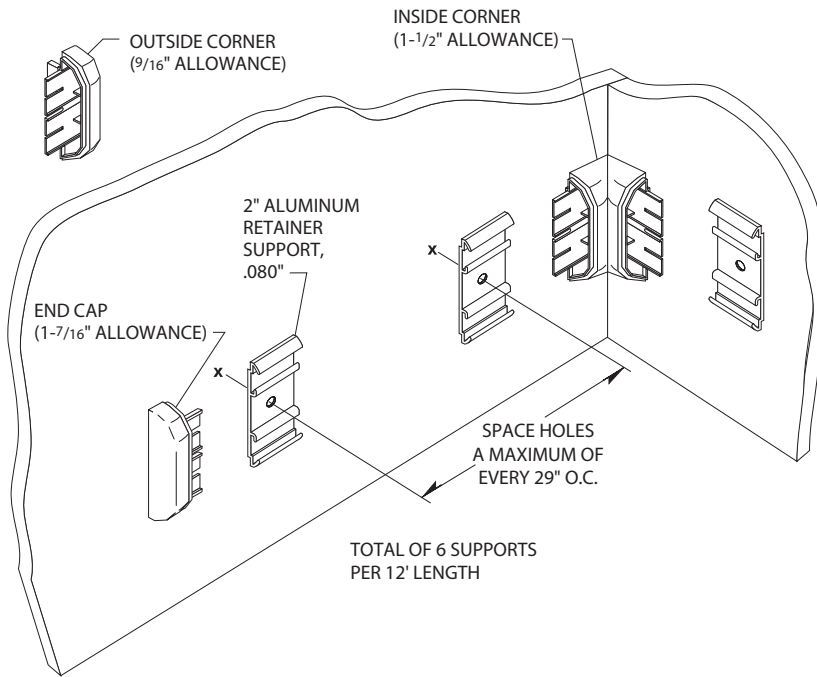


Installation Instructions

5000i/5055i/G2-5000i Wall Guard

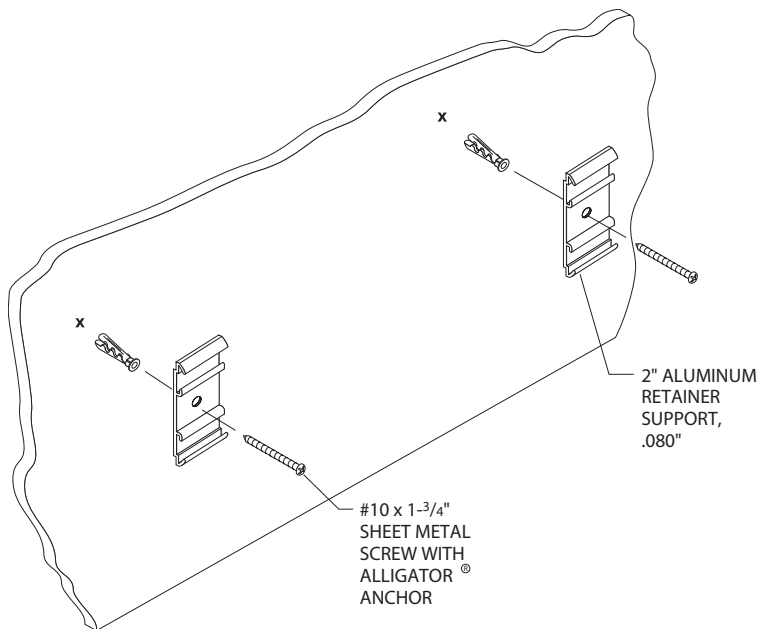
Please read all instructions before installing wallguard.

FIG. 1



1. Determine height of wall guard on wall. Measure down 2" and snap chalk line. Mark mounting holes leaving allowance for returns, outside corners and inside corners. See Figure 1.

FIG. 2



2. Drill marked holes on wall using a 1/4" drill bit and position Alligator anchors into holes. Mount retainer supports on wall and tighten screws to secure. See Figure 2.

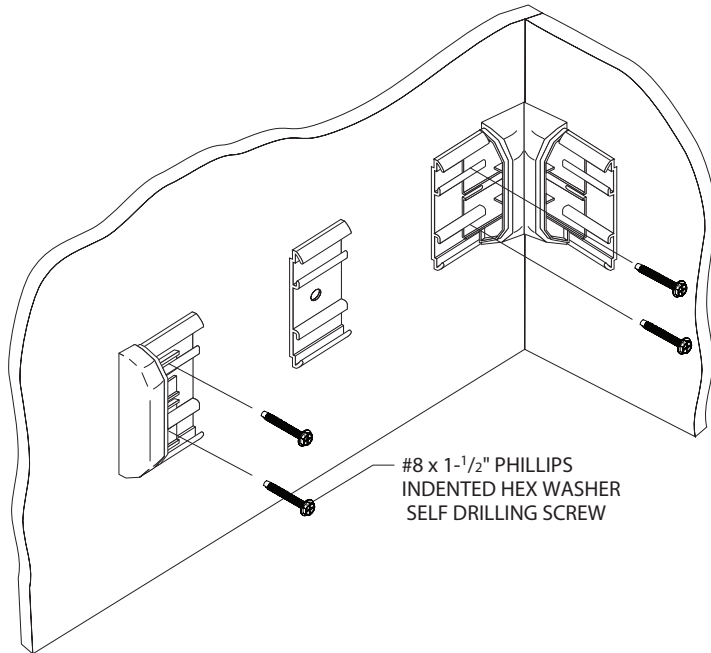
NOTE: For concrete or brick wall installation, drill 1/4" holes, 3/8" [10mm] from end of retainer for end caps/corners.

Installation Instructions

5000i/5055i/G2-5000i Wall Guard

Please read all instructions before installing wallguard.

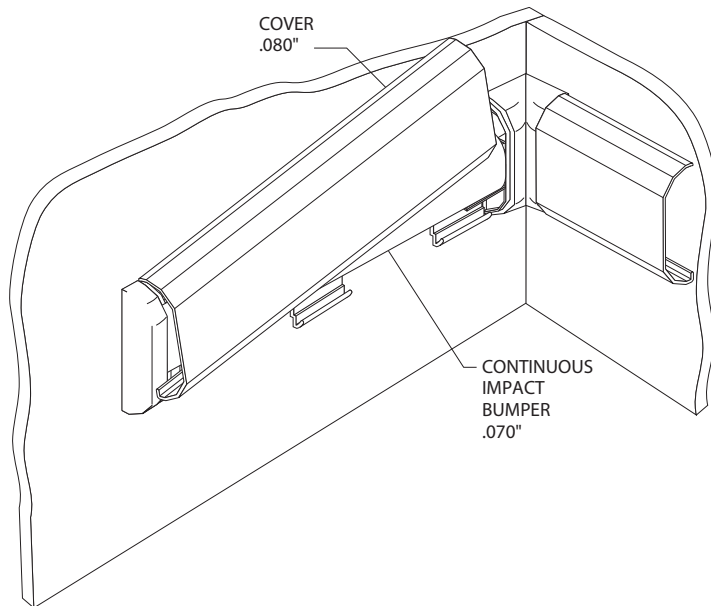
FIG. 3



- Slide end caps and corners onto the retainer support and secure, leaving a 1/16" [1.5mm] gap between returns/corners and retainer to allow for adjustment. See Figure 3.

NOTE: For concrete or brick wall installation, use #10 x 1 3/4" Phillips pan head screws to secure retainer to the wall.

FIG. 4



- Cut the impact bumper to the length between the inside edge of the end caps/corners. Position and snap bumper in place. Cut the cover to length between end caps and/or corners. (Note: Trim factory edges square before installation). Position cover on retainer and adjust returns and/or corners for a tight fit. Starting at one end of retainer supports, push cover over the retainer supports until it snaps into place. See Figure 4.

NOTE: For 5055i Only - When continuous runs are over 12', covers should be installed in consecutive order using the numbers found on the back of covers. This ensures proper alignment of the accent strip.