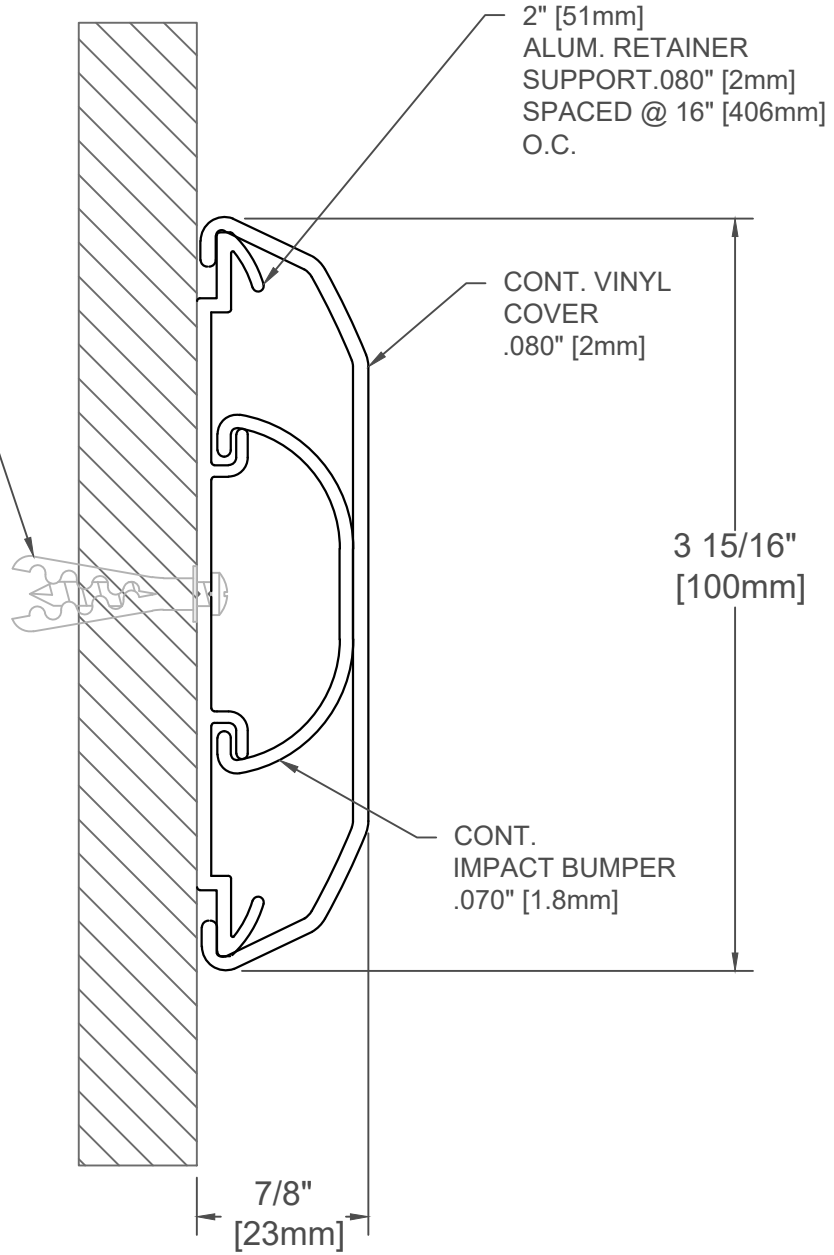


#10 x 1 3/4" [M5x44]
SHEET METAL SCREW
W/ ALLIGATOR ANCHOR
(HW53/HW38)



2" [51mm]
ALUM. RETAINER
SUPPORT .080" [2mm]
SPACED @ 16" [406mm]
O.C.

CONT. VINYL
COVER
.080" [2mm]

3 15/16"
[100mm]

CONT.
IMPACT BUMPER
.070" [1.8mm]

7/8"
[23mm]

PROJECT:

CUSTOMER:

LOCATION:

5000i INFINITY
WALL GUARD

DATE: 2/6/03

SCALE: 1:1

DOC:CADIPC.077/R1

FINISH:

inpro.

For More Information Visit: Inprocorp.com