

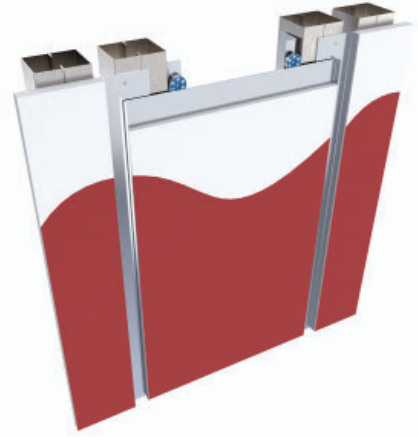
# 353 Series

A07 - Wall to Wall

A09 - Wall to Corner

A24 - Ceiling to Ceiling

A18 - Wall to Ceiling



**Movement Rating ± 100%**

## Product Guide



Thermal



Interior



Fire Rated Option



Vapor Barrier Option



Seismic

- ▶ Seismic and lateral shear capable system
- ▶ Recessed or surface mounted cover plate system for wall and ceiling expansion joint applications.
- ▶ Recessed mount (353 series) / Surface (355 series)
- ▶ Ranges from small to extremely wide joint conditions, while maintaining a minimal sightline impact to the interior environment.
- ▶ Cover and frame wings can be anodized, or pre-primed to be painted in field.
- ▶ Cover options include:
  - Flush metal cover plate (pre-primed coating optional)
  - Gypsum board or ceramic tile infilled pan system
- ▶ System's sightline can be custom modified to match floor coverplate widths (upon request)
- ▶ Heavy duty security magnet system allows for generous daily thermal movement without disengagement from the wall.
- ▶ Cover panel disengages during seismic events; security "arrest" cables ensure the panel stays close to the wall, maintaining clear egress routes.
- ▶ No exposed hardware for security and cleanliness purposes.
- ▶ System is designed to prevent damage to surrounding walls finishes.

Application	System	W		H1		S		B		Seismic Movement			
		Joint Width		Pan Height		Sightline		Blockout		Min.		Max.	
		US	mm	US	mm	US	mm	US	mm	US	mm	US	mm
Wall to Wall - (A07) Ceiling to Ceiling - (A24)	353-A07/A24-150P	6"	152	1/2"	13	1 1/4"	32	3 5/8"	91	2 3/4"	70	12"	305
	353-A07/A24-200P	8"	203	1/2"	13	1 1/4"	32	4"	102	2 3/4"	70	16"	406
	353-A07/A24-250P	10"	254	1/2"	13	1 1/4"	32	4 5/8"	116	2 3/4"	70	20"	508
	353-A07/A24-300P	12"	305	1/2"	13	1 1/4"	32	5 1/8"	130	2 3/4"	70	24"	610
	353-A07/A24-400P	16"	406	1/2"	13	1 1/4"	32	4 5/8"	116	2 3/4"	70	32"	813
	353-A07/A24-450P	18"	457	1/2"	13	1 1/4"	32	5 7/8"	123	2 3/4"	70	36"	914
	353-A07/A24-500P	20"	508	1/2"	13	1 1/4"	32	4 5/8"	117	2 3/4"	70	40"	1016
353-A07/A24-600P	24"	610	1/2"	13	1 1/4"	32	4 5/8"	117	2 3/4"	70	48"	1219	
Wall To Corner - (A09) Ceiling to Wall - (A18)	353-A09/A18-150P	6"	152	1/2"	13	1 1/4"	32	3 5/8"	91	2 3/4"	70	12"	305
	353-A09/A18-200P	8"	203	1/2"	13	1 1/4"	32	4"	102	2 3/4"	70	16"	406
	353-A09/A18-250P	10"	254	1/2"	13	1 1/4"	32	5"	127	2 3/4"	70	20"	508
	353-A09/A18-300P	12"	305	1/2"	13	1 1/4"	32	5 1/8"	130	2 3/4"	70	24"	610
	353-A09/A18-400P	16"	406	1/2"	13	1 1/4"	32	4 5/8"	117	2 3/4"	70	32"	813
	353-A09/A18-450P	18"	457	1/2"	13	1 1/4"	32	6"	152	2 3/4"	70	36"	914
	353-A09/A18-500P	20"	508	1/2"	13	1 1/4"	32	4 5/8"	117	2 3/4"	70	40"	1016
353-A09/A18-600P	24"	610	1/2"	13	1 1/4"	32	4 5/8"	117	2 3/4"	70	48"	1219	

Available in larger widths, please contact Inpro Corporation for more details.

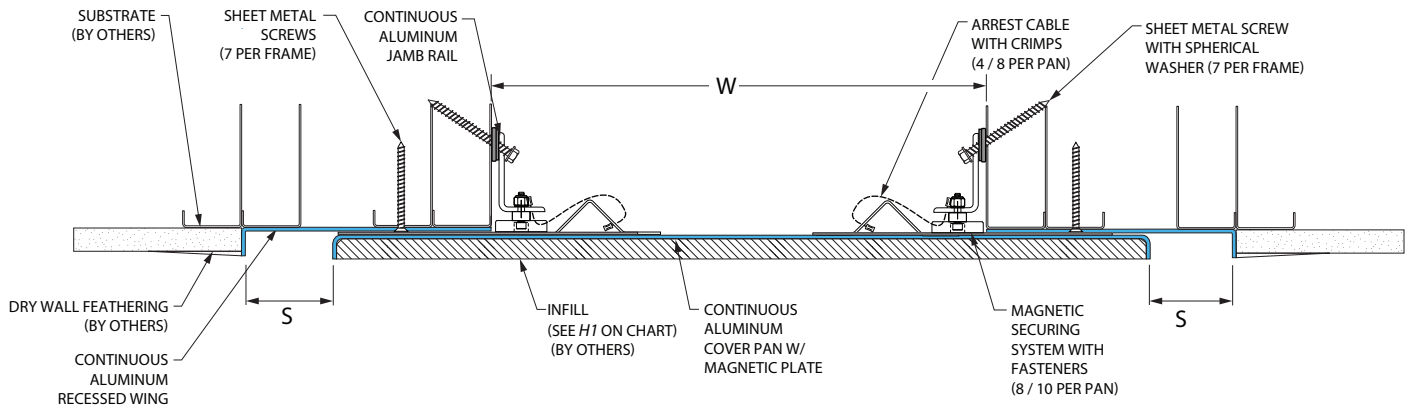
\* Verify the correct wall or ceiling system is specified prior to ordering as pan configurations differ.

IPC.3105/REV.2

# 353 Series

## Recessed Mount Wall Systems

353-A07, A24 Wall/Wall, Ceiling/Ceiling  
(12" [300 mm] system shown)



353-A09, A18 Wall/Corner, Ceiling/Wall  
(12" [300 mm] system shown)

