

# Installation Instructions

## 3130/3130FV/G2-3130/A3130 Handrails

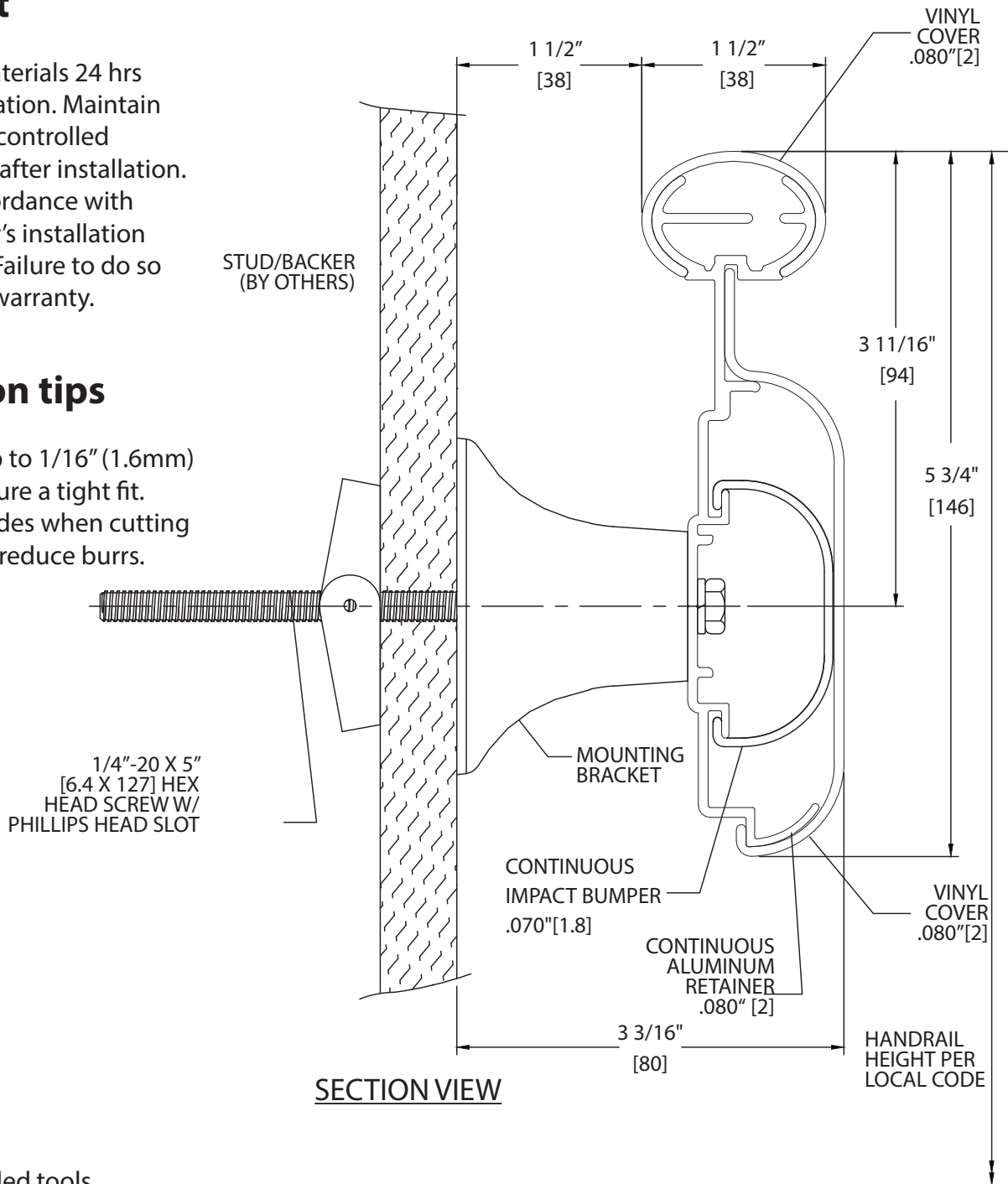
Please read all instructions before installing handrail.

### Important

1. Acclimate materials 24 hrs before installation. Maintain temperature controlled environment after installation.
2. Install in accordance with manufacturer's installation instructions. Failure to do so will void the warranty.

### Installation tips

1. Cut covers up to 1/16" (1.6mm) longer to ensure a tight fit.
2. Lubricate blades when cutting aluminum to reduce burrs.



### Recommended tools

Safety Glasses, Tape Measure, 3/8" socket for machine screw hex bolt, 7/16" socket for wood screw hex bolt, Level, Pillips and Flat head Screwdrivers, Power Drill, Drill Bits - 1/4" masonry (concrete/ concrete block), Power Miter Saw, 10" Blade with 60-80 Carbide Tipped Teeth.

IPC.2169/REV.1

IPC® Door + Wall Protection

inpro.com • 800.222.5556 • 262.679.9010

World Headquarters S80 W18766 Apollo Drive, Muskego, WI 53150 USA

Installation Hotline: 866.394.6776

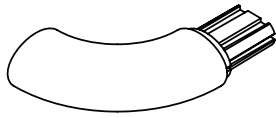
**inpro**®

# Installation Instructions

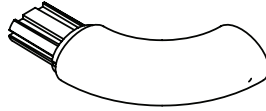
## 3130/3130FV/G2-3130/A3130 Handrails

Please read all instructions before installing handrail.

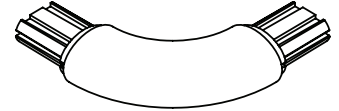
### Component Overview



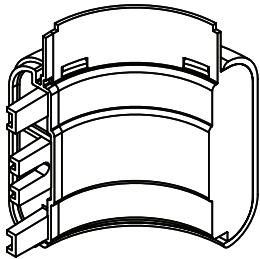
922  
LEFT RETURN



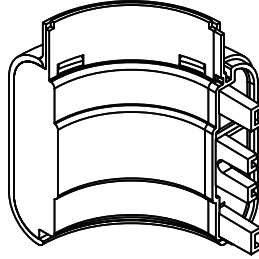
923  
RIGHT RETURN



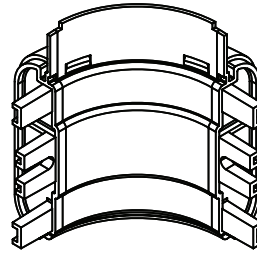
924  
INSIDE/OUTSIDE CORNER



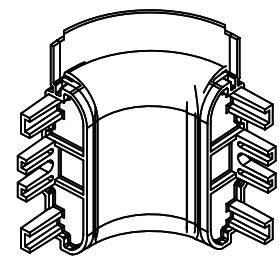
3002  
LEFT RETURN



3003  
RIGHT RETURN



3004-OC  
OUTSIDE CORNER



3005-IC  
INSIDE CORNER



3130A-P  
CONTINUOUS  
ALUMINUM RETAINER



920V  
COVER



3000B  
BUMPER



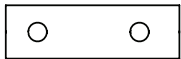
920-RVL  
REVEAL



3100-RVL  
REVEAL



3100V  
COVER



804-SPL  
SPLICE



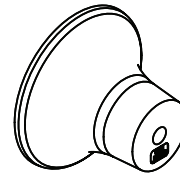
1/4-20  
SERRATED  
FLANGE NUT



1/4-20 3/4"  
HEX HEAD  
BOLT



#8 X 5/8"  
PHILLIPS  
SDS  
SCREW



1001  
MOLDED  
BRACKET

Wall Condition	Specified Fasteners	Inpro Part#
Steel Stud/Gypsum Wall	1/4-20 x 5" Phillips hex head bolt with toggle wing and lock washer	HWK-1001D
Concrete/Concrete Block	1/4-20 x 5" Phillips hex head bolt with lead anchor and lock washer	HWK-1001C
Wood Stud/Gypsum Wall	1/4" x 5" Hex Head Wood Screw and lock washer	HWK-1001W
16 gauge steel Backer/Gypsum wall	#14 x 4" Indented hex washer, zink-plated TEK screw	HW69
Steel Stud or Metal Backer/Drywall (OSHPD)	1/4-20 x 5" Phillips hex head Bolt with lock washer and 1/4" Hilit Toggler	HWK-1001OD
Concrete/Concrete Block (OSHPD)	1/4" x 4" Torx Hex Washer Head Screw (Hilti Kwik-Con II) and lock washer	HWK-1001OC
Wood Stud or Wood Backer/Gypsum Wall (OSHPD)	1/4" x 5" Hex Head Wood Screw and lock washer	HWK-1001OW

IPC® Door + Wall Protection

inpro.com • 800.222.5556 • 262.679.9010

World Headquarters S80 W18766 Apollo Drive, Muskego, WI 53150 USA

Installation Hotline: 866.394.6776

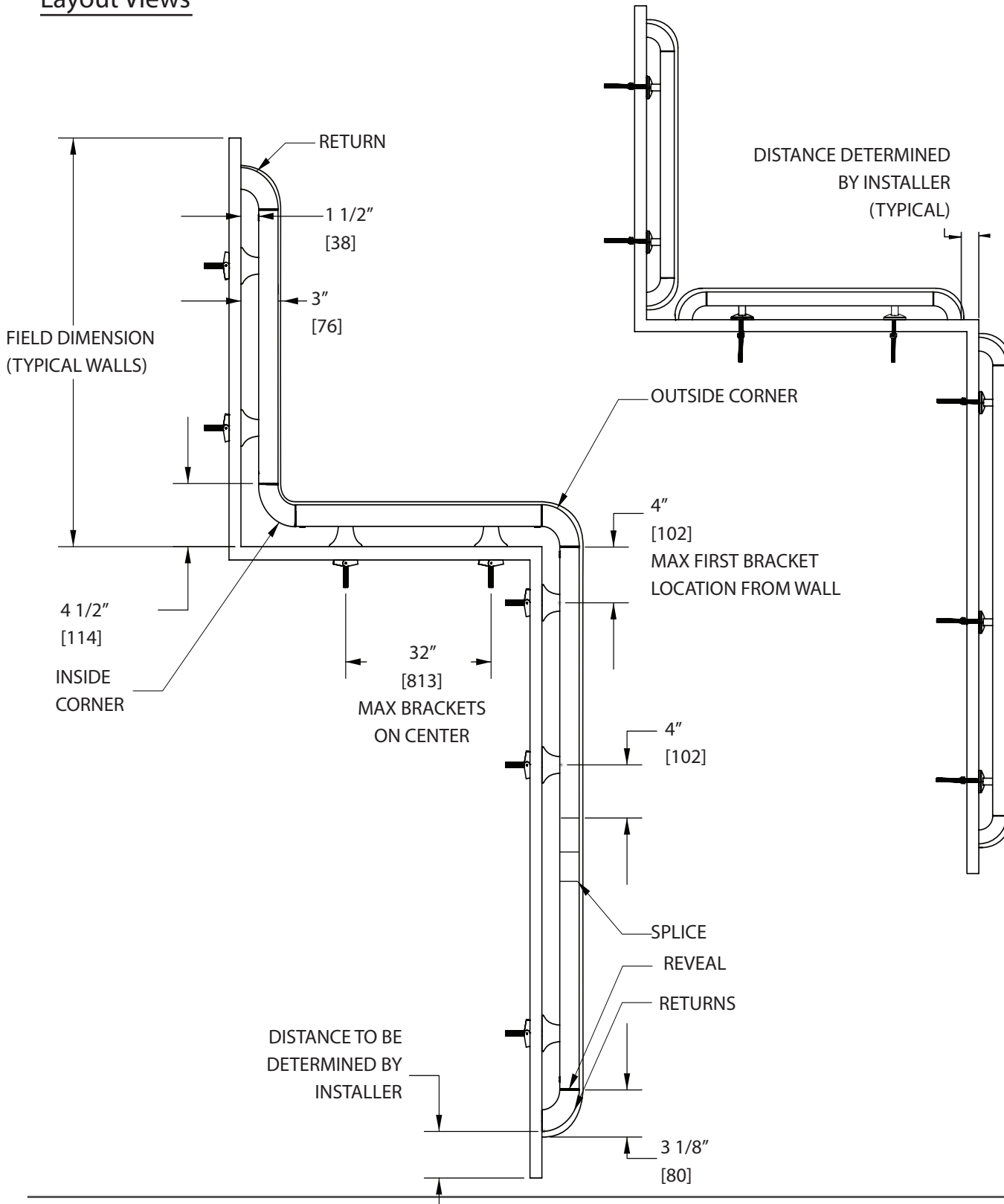
**inpro**®

# Installation Instructions

## 3130/3130FV/G2-3130/A3130 Handrails

Please read all instructions before installing handrail.

### Layout Views



IPC® Door + Wall Protection

inpro.com • 800.222.5556 • 262.679.9010

World Headquarters S80 W18766 Apollo Drive, Muskego, WI 53150 USA

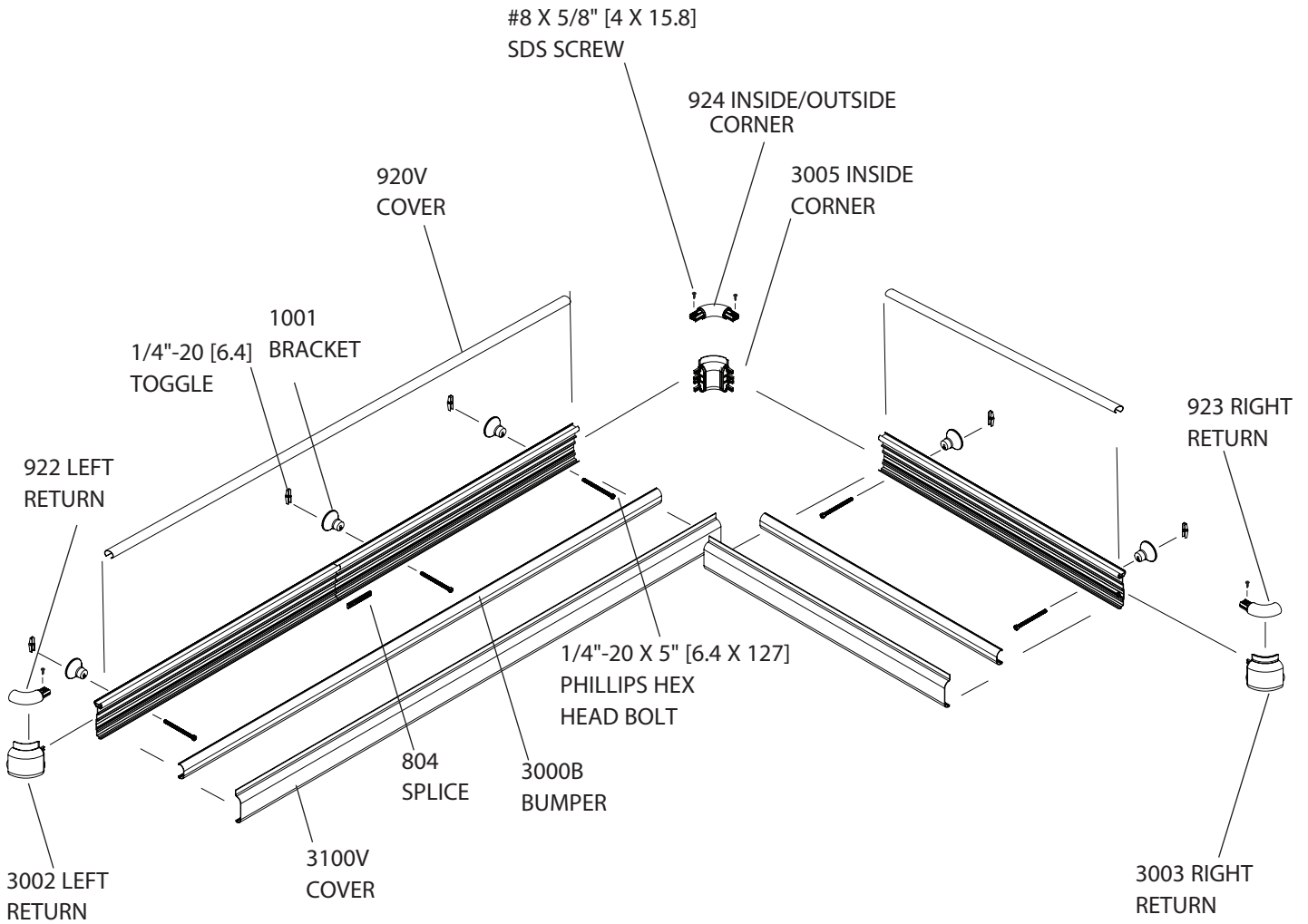
Installation Hotline: 866.394.6776

**inpro**®

# Installation Instructions

## 3130/3130FV/G2-3130/A3130 Handrails

Please read all instructions before installing handrail.



IPC® Door + Wall Protection

[inpro.com](http://inpro.com) • 800.222.5556 • 262.679.9010

World Headquarters S80 W18766 Apollo Drive, Muskego, WI 53150 USA

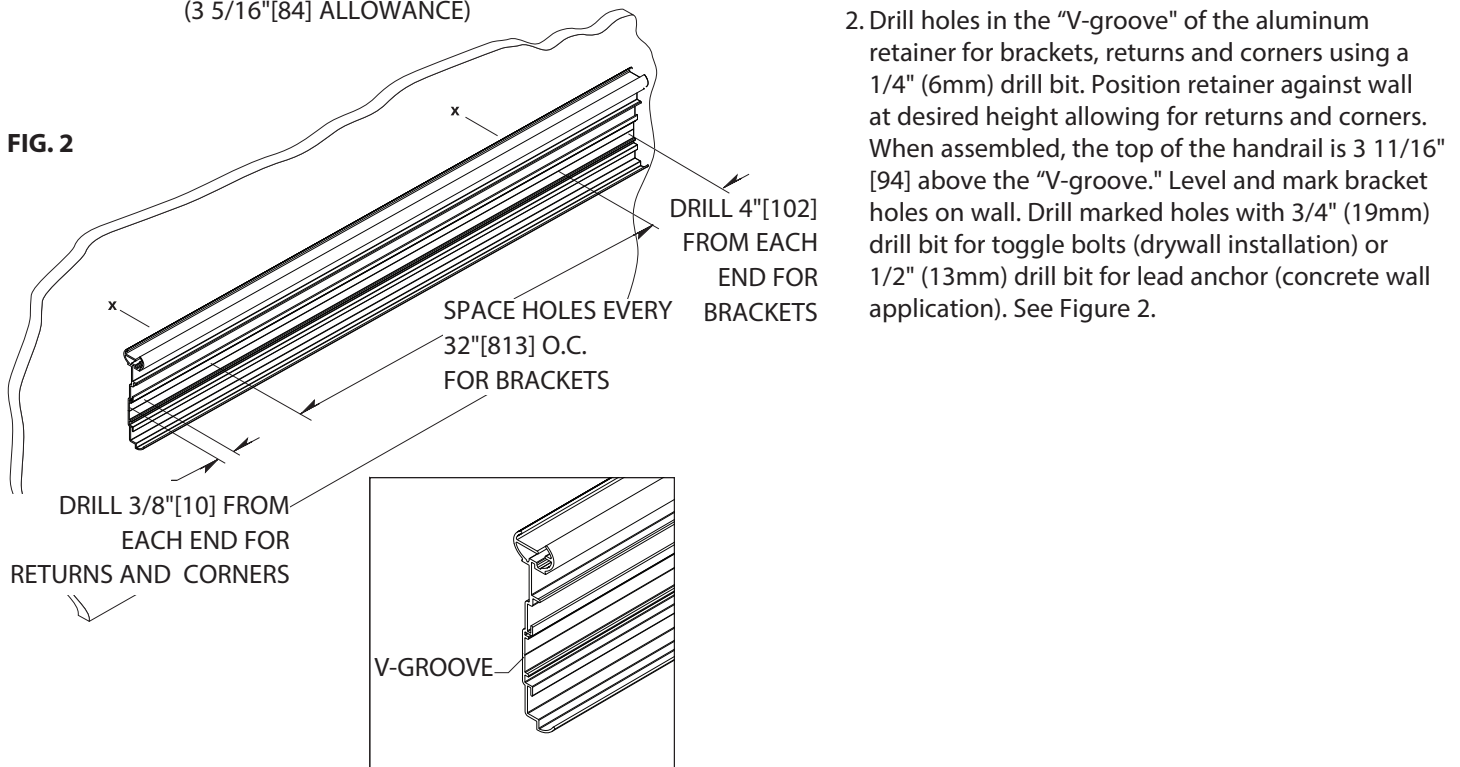
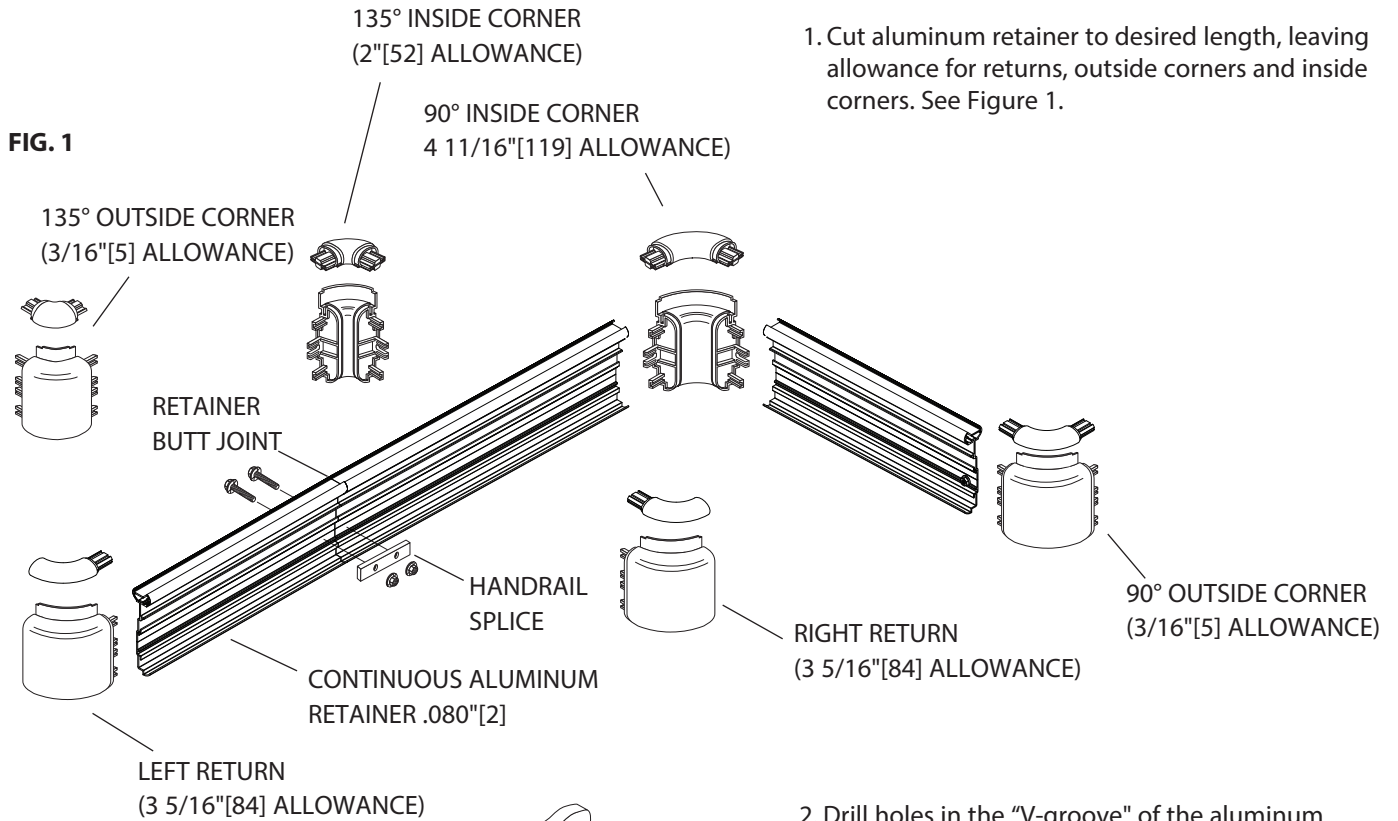
Installation Hotline: 866.394.6776

**inpro**®

# Installation Instructions

## 3130/3130FV/G2-3130/A3130 Handrails

Please read all instructions before installing handrail.



IPC® Door + Wall Protection

inpro.com • 800.222.5556 • 262.679.9010

World Headquarters S80 W18766 Apollo Drive, Muskego, WI 53150 USA

Installation Hotline: 866.394.6776

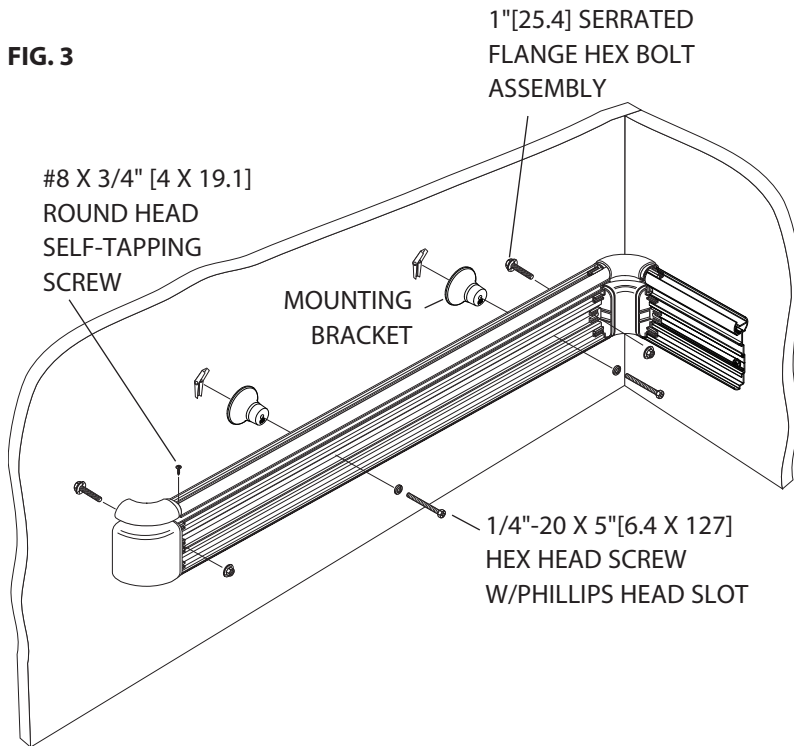
**inpro**®

# Installation Instructions

## 3130/3130FV/G2-3130/A3130 Handrails

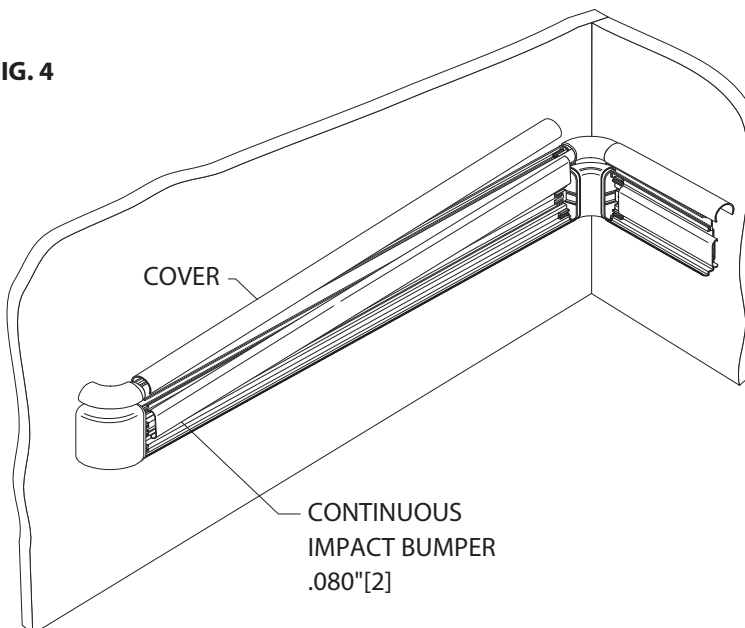
Please read all instructions before installing handrail.

FIG. 3



- Using a 1/4" (6mm) drill bit, drill hole through the tab on the returns/corners for the top portion of the handrail. Slide tabs onto top portion of retainer and fasten. For the lower portion of the handrail slip optional reveal onto returns/corners, slide tabs of returns/corners onto retainer and fasten. Loosely attach brackets to retainer. Mount on wall, level retainer and tighten screws to secure. See Figure 3.

FIG. 4



- Cut the inner bumper to the length between the tabs on the returns/corners. Position and snap inner bumper in place. Cut cover for top portion of handrail to length between returns and/or corners. (Note: Trim factory edges square before installation) Position cover on retainer at one end and work to the other end by snapping the cover over the retainer. See Figure 4.

IPC® Door + Wall Protection

inpro.com • 800.222.5556 • 262.679.9010

World Headquarters S80 W18766 Apollo Drive, Muskego, WI 53150 USA

Installation Hotline: 866.394.6776

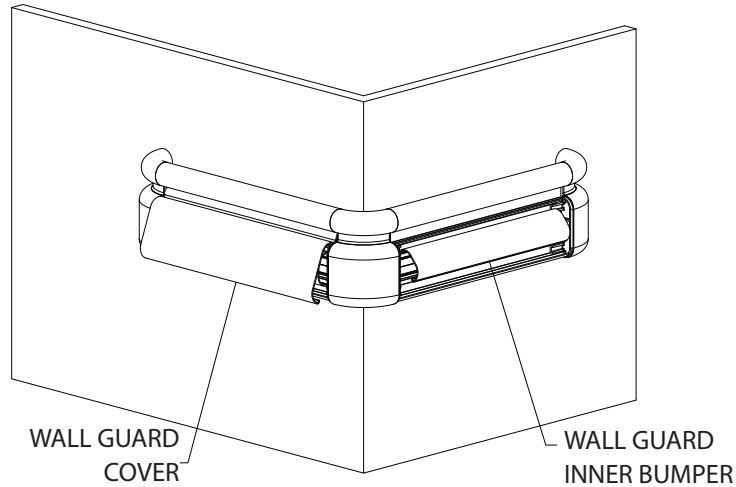
**inpro**®

# Installation Instructions

## 3130/3130FV/G2-3130/A3130 Handrails

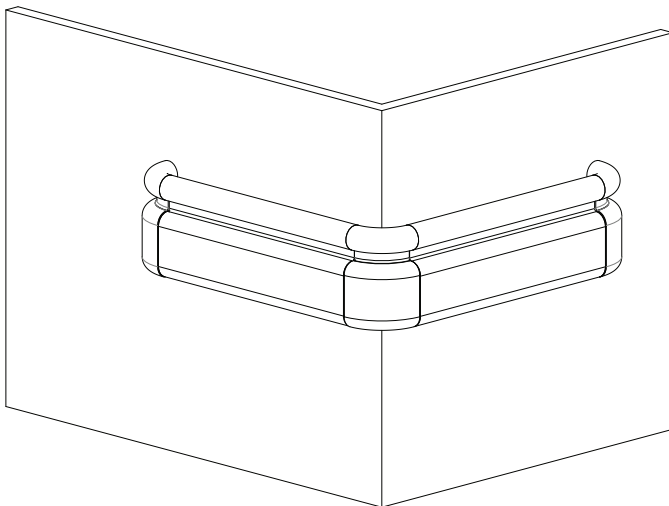
Please read all instructions before installing handrail.

FIG. 5



5. Cut the cover for lower portion of handrail to the length between reveals on returns and/or corners. (Note: Trim all factory edges square before installation.) Position cover on retainer. Starting with top edge of cover, slip cover under handrail and snap cover on retainer by pivoting bottom of cover over retainer. See Figure 5.

FIG. 6



IPC® Door + Wall Protection

inpro.com • 800.222.5556 • 262.679.9010

World Headquarters S80 W18766 Apollo Drive, Muskego, WI 53150 USA

Installation Hotline: 866.394.6776

**inpro**®