

# Installation Instructions

## 3120/3120FV/G2-3120 Internationally Compliant Handrails

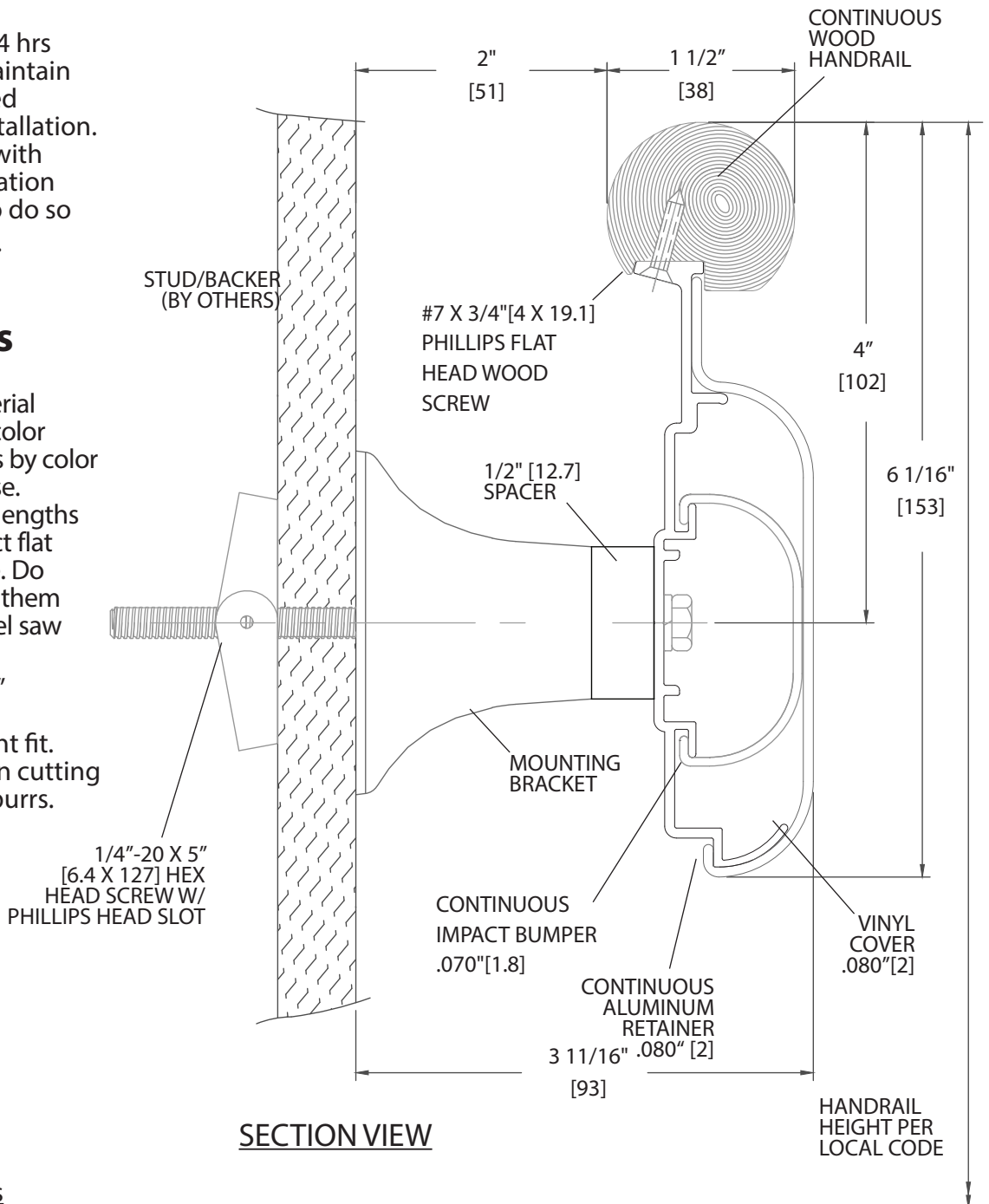
Please read all instructions before installing handrail.

### Important

1. Acclimate materials 24 hrs before installation. Maintain temperature controlled environment after installation.
2. Install in accordance with manufacturer's installation instructions. Failure to do so will void the warranty.

### Installation tips

1. Wood is a natural material therefore component color may vary. Sort the parts by color (light to dark) before use.
2. When storing straight lengths of materials, lay product flat on a supported surface. Do not lean the rails or lay them on unsupported parallel saw horses.
3. Cut covers up to 1/16" (1.6mm) longer to ensure a tight fit.
4. Lubricate blades when cutting aluminum to reduce burrs.



### Recommended tools

Safety Glasses, Tape Measure, 3/8" socket for machine screw hex bolt, 7/16" socket for wood screw hex bolt, Level, Phillips and Flat head Screwdrivers, Power Drill, Drill Bits - 1/4" masonry (concrete/concrete block), Power Miter Saw, 10" Blade with 60-80 Carbide Tipped Teeth.

IPC.2160/REV.1

IPC® Door + Wall Protection

inpro.com • 800.222.5556 • 262.679.9010

World Headquarters S80 W18766 Apollo Drive, Muskego, WI 53150 USA

Installation Hotline: 866.394.6776

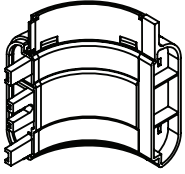
**inpro**®

# Installation Instructions

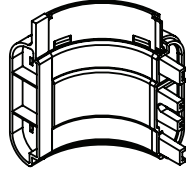
## 3120/3120FV/G2-3120 Internationally Compliant Handrails

Please read all instructions before installing handrail.

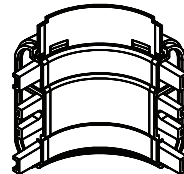
### Component Overview



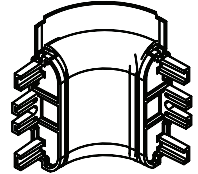
3002SP  
LEFT  
RETURN



3003SP  
RIGHT  
RETURN



3004-OC  
OUTSIDE CORNER



3005-IC  
INSIDE CORNER



3122LR-INT  
WOOD  
LEFT RETURN



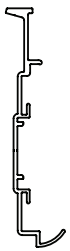
3123RR-INT  
WOOD  
RIGHT RETURN



3122RC  
WOOD  
OUTSIDE CORNER



3125IC  
WOOD  
INSIDE CORNER



3120A-P  
CONTINUOUS  
ALUMINUM RETAINER



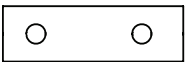
3000B  
BUMPER



3100V  
COVER



3120WT  
WOOD TOP



804-SPL  
SPLICE



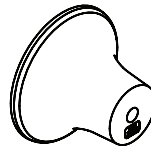
1/4-20  
SERRATED  
FLANGE NUT



1/4-20 3/4"  
HEX HEAD  
BOLT



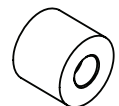
#7 X 3/4"  
PHILLIPS  
FLAT-HEAD  
SCREW



1001  
MOLDED  
BRACKET



1001SP  
BRACKET  
SPACER



HR9WDG  
DOWEL JIG

Wall Condition	Specified Fasteners	Inpro Part#
Steel Stud/Gypsum Wall	1/4-20 x 5" Phillips hex head bolt with toggle wing and lock washer	HWK-1001D
Concrete/Concrete Block	1/4-20 x 5" Phillips hex head bolt with lead anchor and lock washer	HWK-1001C
Wood Stud/Gypsum Wall	1/4" x 5" Hex Head Wood Screw and lock washer	HWK-1001W
16 gauge steel Backer/Gypsum wall	#14 x 4" Indented hex washer, zink-plated TEK screw	HW69
Steel Stud or Metal Backer/Drywall (OSHPD)	1/4-20 x 5" Phillips hex head Bolt with lock washer and 1/4" Hilit Toggler	HWK-1001OD
Concrete/Concrete Block (OSHPD)	1/4" x 4" Torx Hex Washer Head Screw (Hilti Kwik-Con II) and lock washer	HWK-1001OC
Wood Stud or Wood Backer/Gypsum Wall (OSHPD)	1/4" x 5" Hex Head Wood Screw and lock washer	HWK-1001OW

IPC® Door + Wall Protection

inpro.com • 800.222.5556 • 262.679.9010

World Headquarters S80 W18766 Apollo Drive, Muskego, WI 53150 USA

Installation Hotline: 866.394.6776

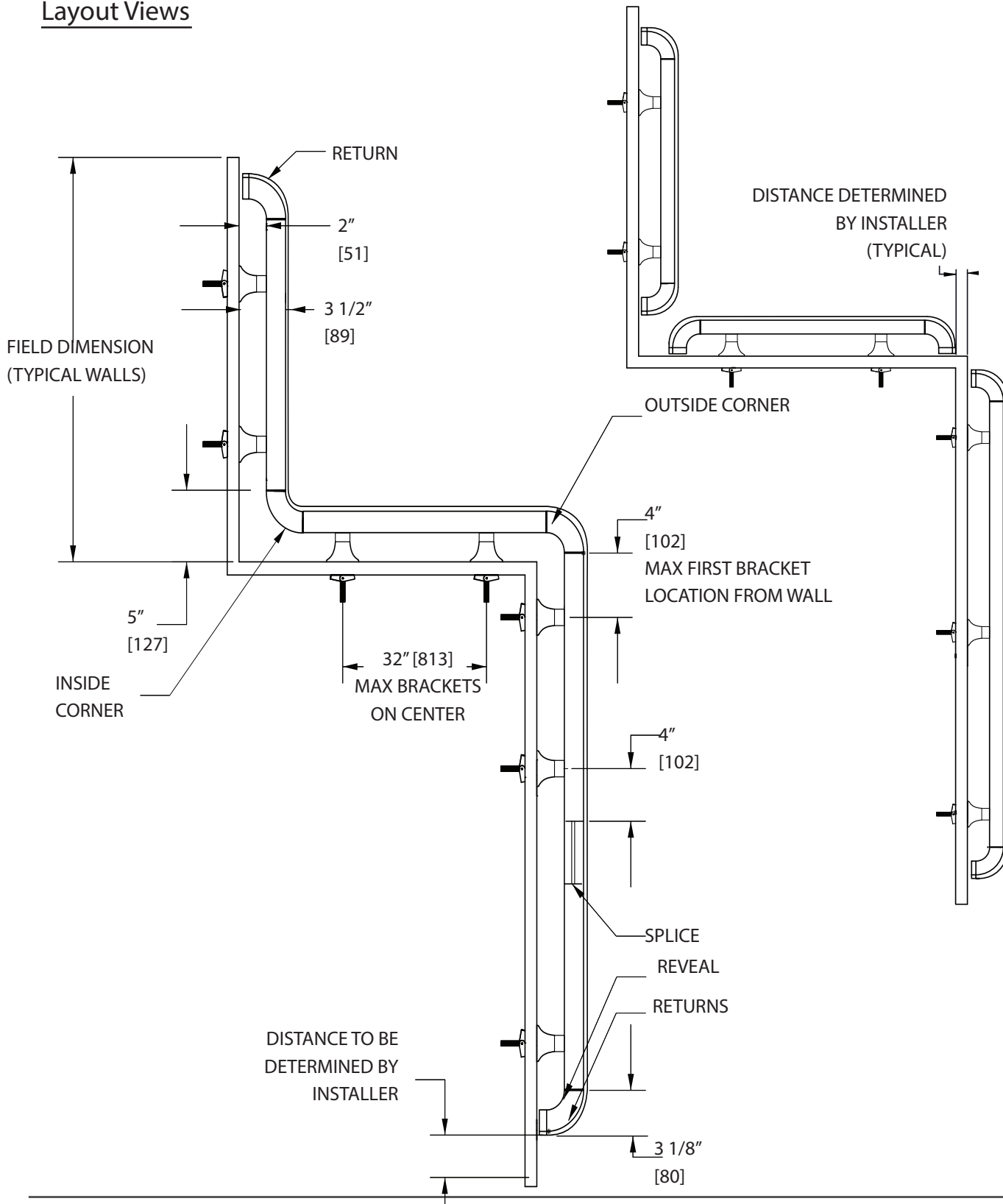
**inpro**®

# Installation Instructions

Please read all instructions before installing handrail.

## 3120/3120FV/G2-3120 Internationally Compliant Handrails

### Layout Views



IPC® Door + Wall Protection

inpro.com • 800.222.5556 • 262.679.9010

World Headquarters S80 W18766 Apollo Drive, Muskego, WI 53150 USA

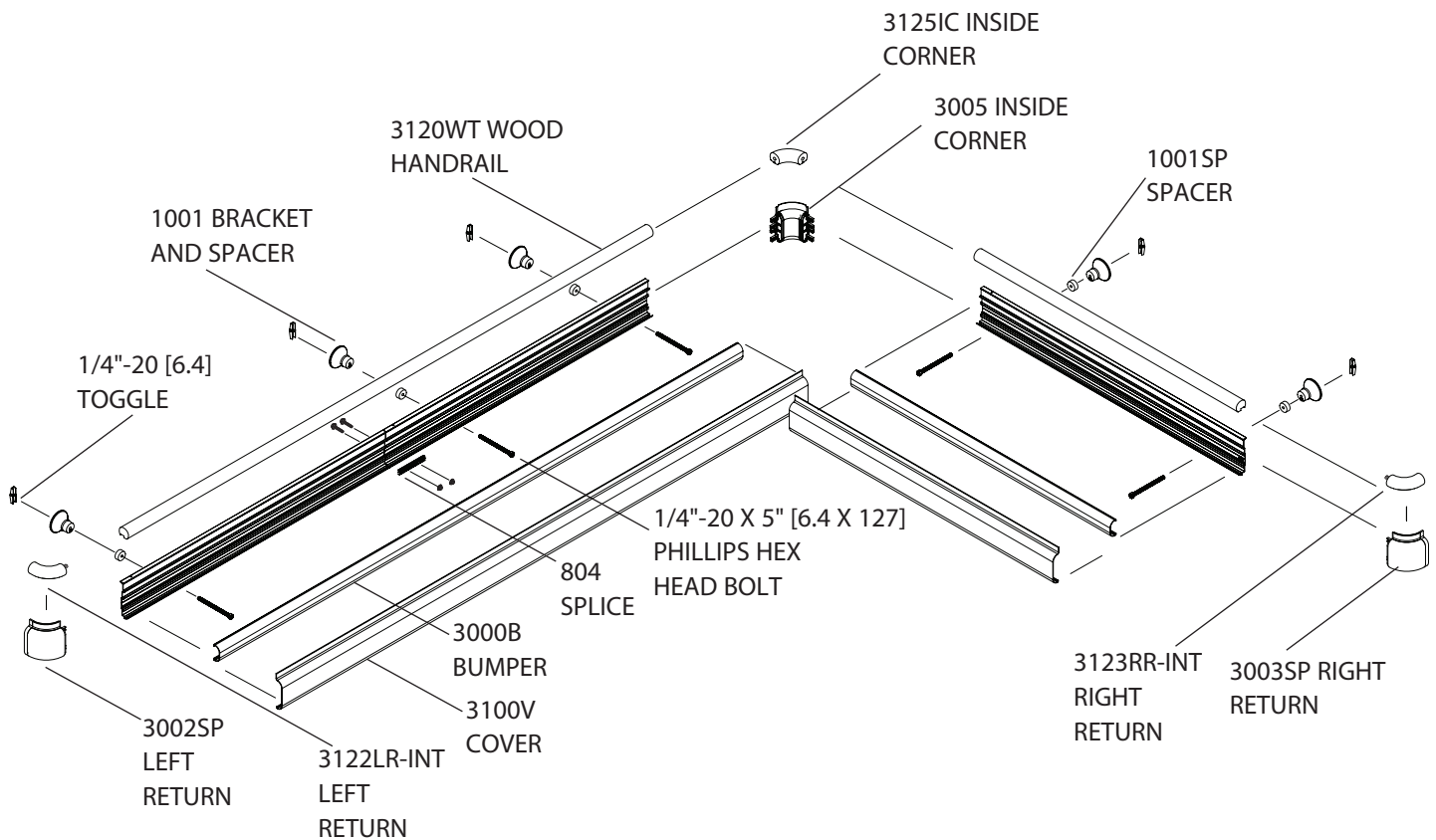
Installation Hotline: 866.394.6776

**inpro**®

# Installation Instructions

## 3120/3120FV/G2-3120 Internationally Compliant Handrails

Please read all instructions before installing handrail.



IPC® Door + Wall Protection

[inpro.com](http://inpro.com) • 800.222.5556 • 262.679.9010

World Headquarters S80 W18766 Apollo Drive, Muskego, WI 53150 USA

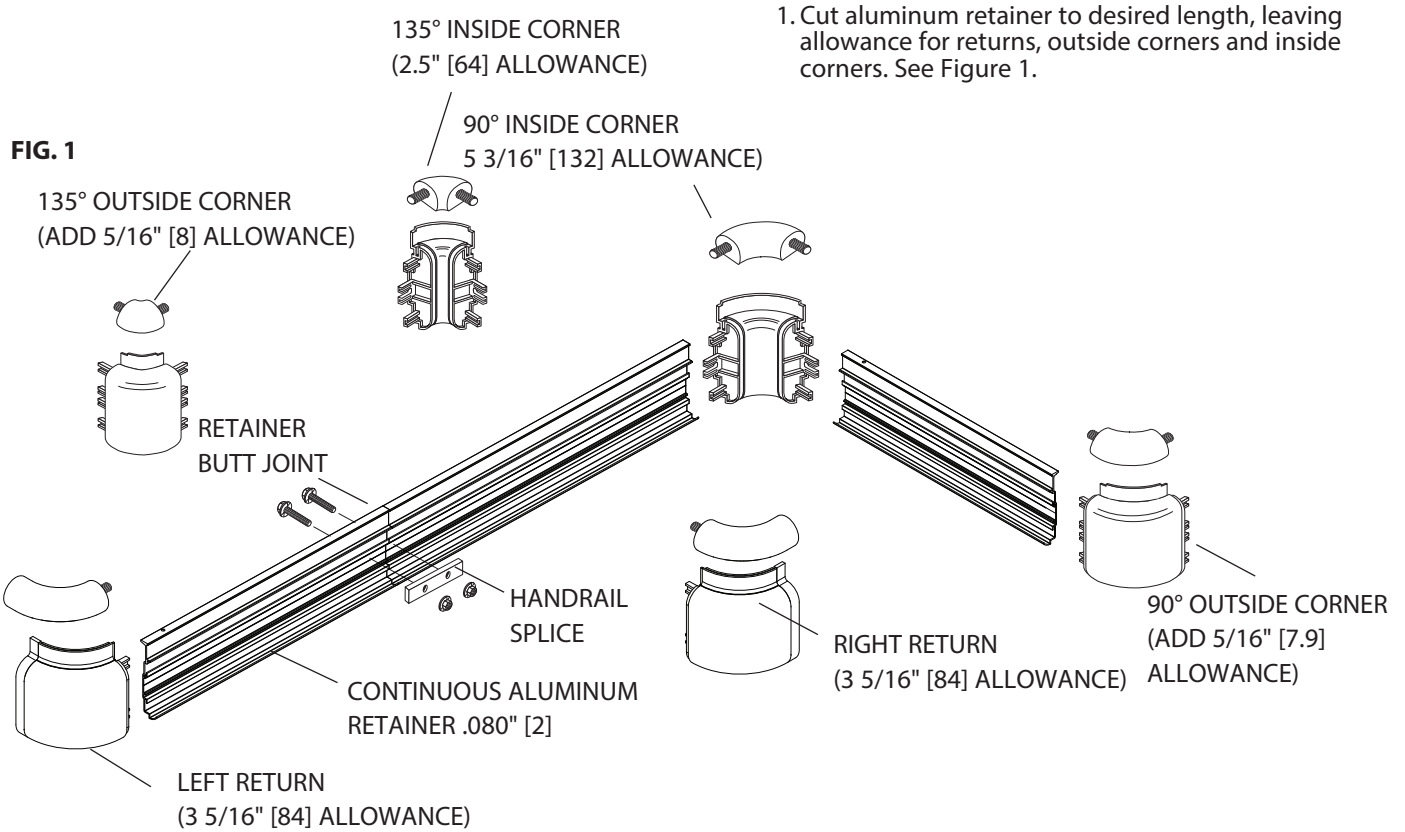
Installation Hotline: 866.394.6776

**inpro**®

# Installation Instructions

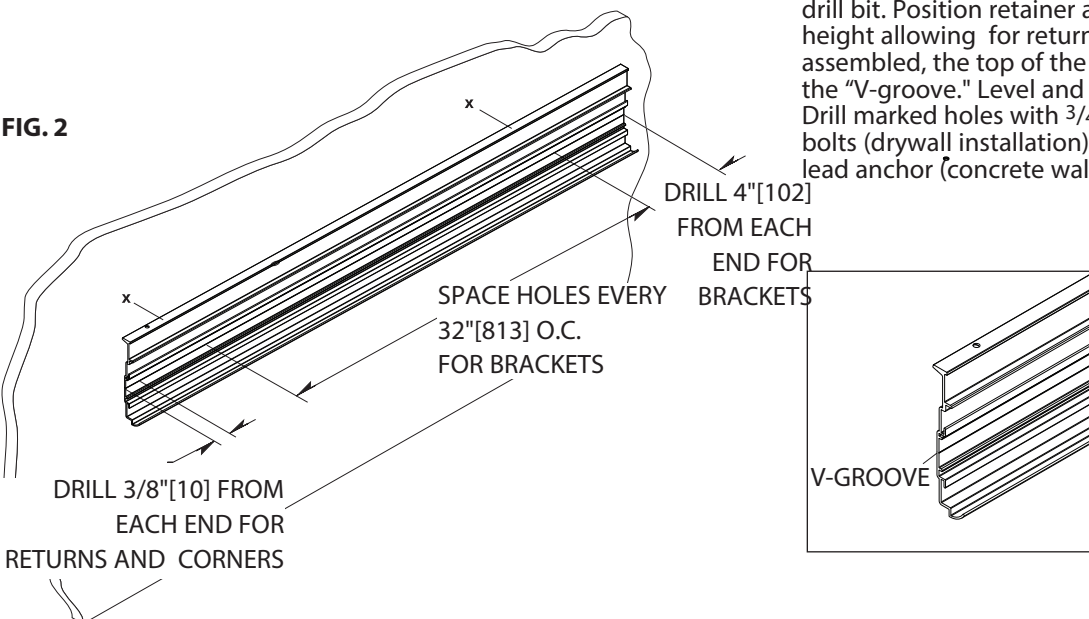
## 3120/3120FV/G2-3120 Internationally Compliant Handrails

Please read all instructions before installing handrail.



1. Cut aluminum retainer to desired length, leaving allowance for returns, outside corners and inside corners. See Figure 1.

**FIG. 2**



2. Drill holes in the "V-groove" of the aluminum retainer for brackets, returns and corners using a 1/4" (6mm) drill bit. Position retainer against wall at desired height allowing for returns and corners. When assembled, the top of the handrail is 4" [102] above the "V-groove." Level and mark bracket holes on wall. Drill marked holes with 3/4" (19mm) drill bit for toggle bolts (drywall installation) or 1/2" (13mm) drill bit for lead anchor (concrete wall application). See Figure 2.

IPC® Door + Wall Protection

inpro.com • 800.222.5556 • 262.679.9010

World Headquarters S80 W18766 Apollo Drive, Muskego, WI 53150 USA

Installation Hotline: 866.394.6776

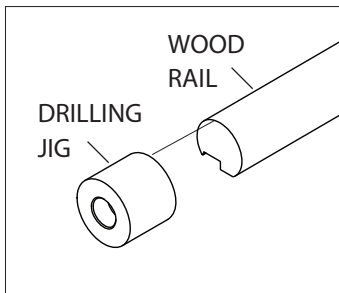
**inpro**®

# Installation Instructions

## 3120/3120FV/G2-3120 Internationally Compliant Handrails

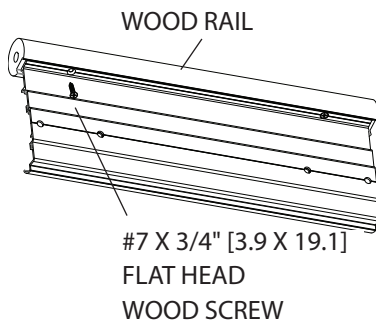
Please read all instructions before installing handrail.

FIG. 3a



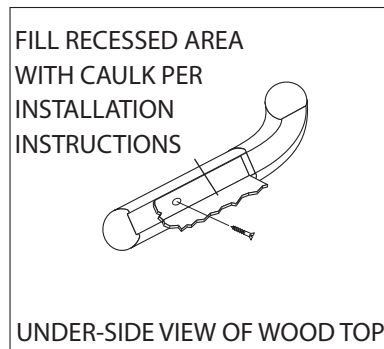
3. a. Cut wood rail  $\frac{3}{8}$ " longer than the aluminum retainer. Using supplied drilling jig as a guide, slip drill jig onto end of rail and drill  $1\frac{3}{32}$ " dowel holes in the end of the rail. See Figure 3a.

FIG. 3b



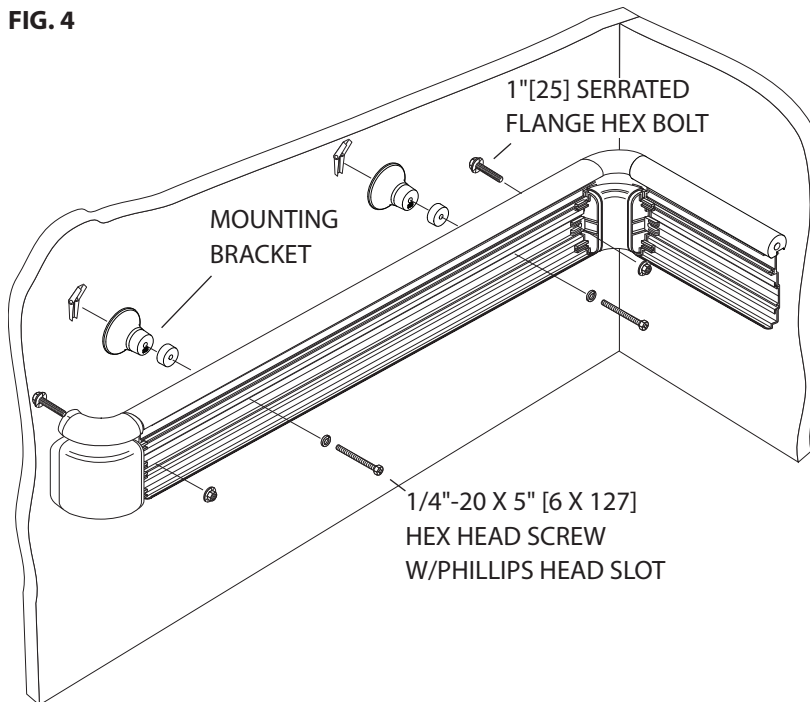
b. Place wood rail on aluminum retainer with  $\frac{3}{16}$ " (5mm) of the wood extending past the retainer on each side. Pre-drill hole location with a  $\frac{1}{8}$ " (3mm) drill bit,  $\frac{3}{4}$ " (19mm) deep. Attach rail to retainer but do not tighten the screws that are next to the returns/corners. Attach wood returns/corners to the rail with  $\frac{3}{8}$ " dowels and carpenter's glue. Clamp, pin nail or tape wood returns/corners until glue sets. Minor Adjustment Tip: If needed, filing a slight taper at the end of the dowel on one side will provide more play between the mating pieces. See Figure 3b.

FIG. 3c



c. Fill area underneath the wood return/corner with caulk. See Figure 3c.

FIG. 4



4. For the lower portion of the handrail slip optional reveal onto returns/corners, slide tabs of returns/corners onto retainer and fasten. Secure wood rail to aluminum by tightening screws next to returns/corners. Loosely attach brackets to retainer. Mount on wall, level retainer and tighten screws to secure. See Figure 4.

IPC® Door + Wall Protection

inpro.com • 800.222.5556 • 262.679.9010

World Headquarters S80 W18766 Apollo Drive, Muskego, WI 53150 USA

Installation Hotline: 866.394.6776

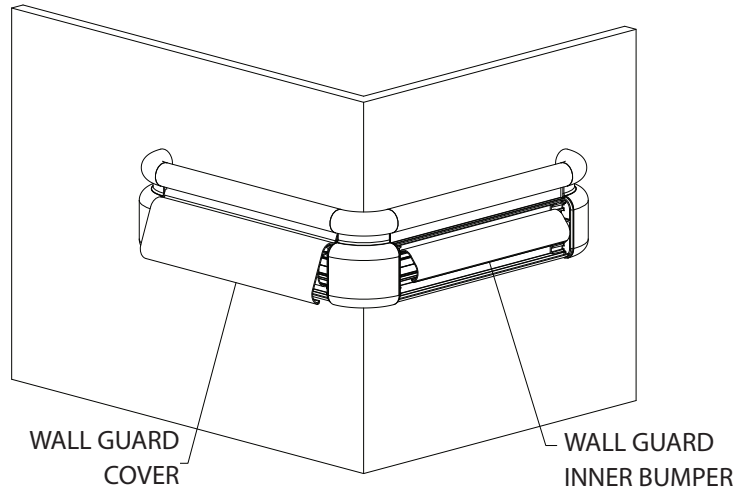
**inpro**®

# Installation Instructions

## 3120/3120FV/G2-3120 Internationally Compliant Handrails

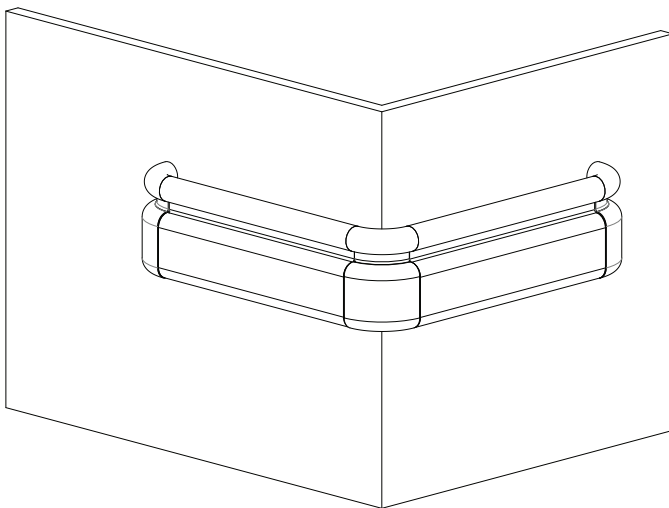
Please read all instructions before installing handrail.

FIG. 5



5. Cut the inner bumper to the length between the tabs on the returns/corners. Position and snap inner bumper in place. Cut the cover for lower portion of handrail to the length between returns and/or corners. (Note: Trim all factory edges square before installation.) Position cover on retainer and snap cover on retainer by starting at the top and pivoting over the bottom of the retainer. See Figure 5.

FIG. 6



IPC® Door + Wall Protection

inpro.com • 800.222.5556 • 262.679.9010

World Headquarters S80 W18766 Apollo Drive, Muskego, WI 53150 USA

Installation Hotline: 866.394.6776

**inpro**®