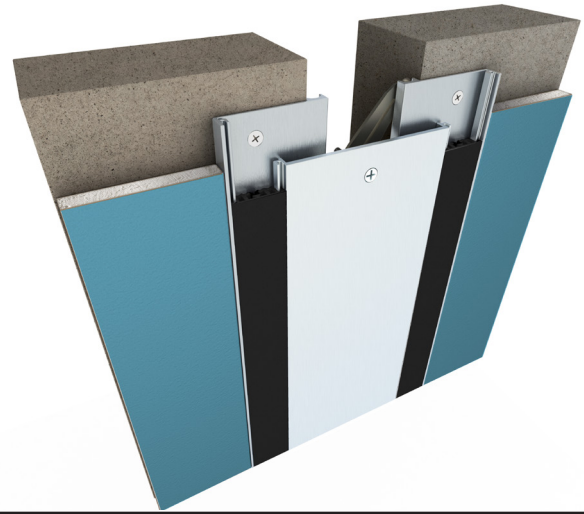


# 221 Series

A07 - Wall to Wall  
A09 - Wall to Corner



Movement Rating  $\pm$  50%

## Product Guide



- ▶ Recessed mount frames for minimal sightline, adaptable to many wall finishes
- ▶ System integrates seamlessly with any 220 floor to floor system
- ▶ Snap-fit design for easy on-site assembly.
- ▶ Clear anodized finishes standard
- ▶ Seals absorb daily thermal movement.
- ▶ Flat seals characteristics:
  - Coextruded seals incorporate tough face seals with reinforcing support for long lifecycles.
  - All flat seals are GREENGUARD Gold certified for low VOC requirements.
  - Seals are heat weldable for watertight seams and transitions.
  - Standard and Custom seal colors available.

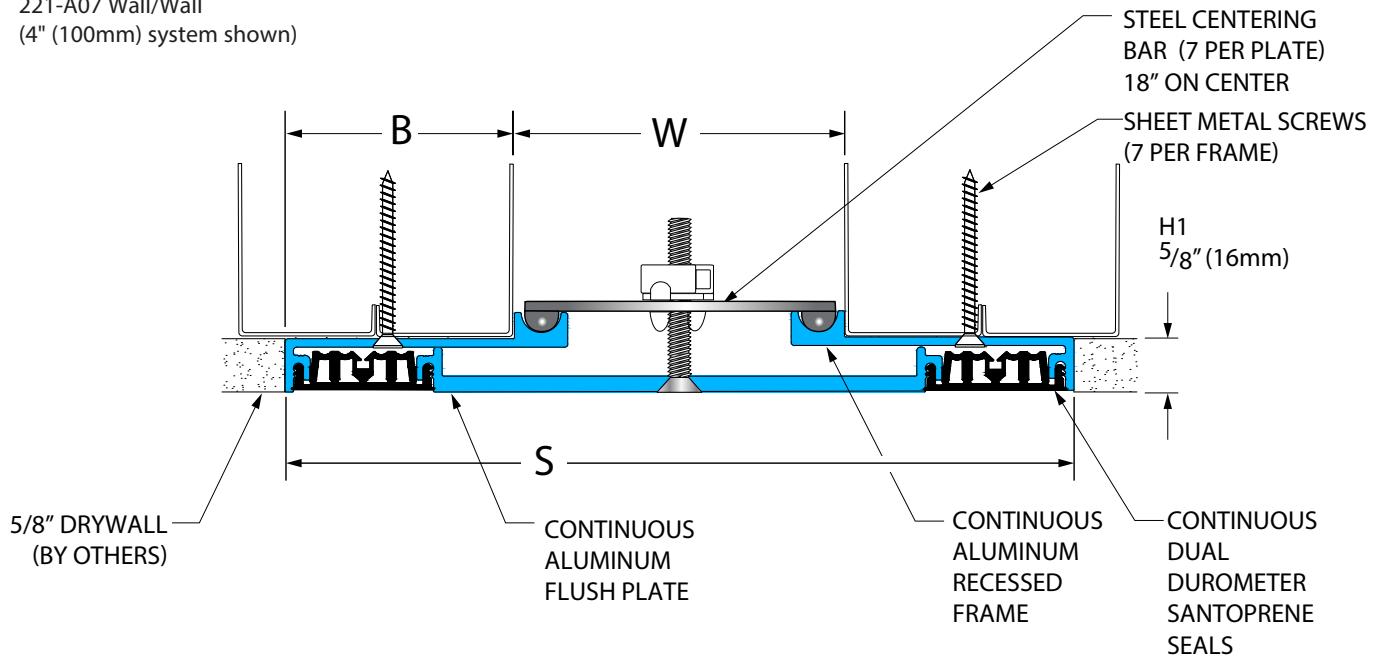
Application	System	W		H1		S		B		Movement +/-			
		Joint Width		Frame Height 1		Sightline		Blockout		Horizontal		Vertical	
		US	mm	US	mm	US	mm	US	mm	US	mm	US	mm
Wall to Wall Ceiling to Ceiling	221-A07-050	2"	51	5/8"	16	5"	127	1 1/2"	13	1"	25	1"	25
	221-A07-075	3"	76	5/8"	16	8 7/16"	214	2 3/4"	70	1 1/2"	38	1 1/2"	38
	221-A07-100	4"	102	5/8"	16	9 7/16"	240	2 3/4"	70	2"	51	2"	51
	221-A07-150	6"	152	5/8"	16	11 7/16"	290	2 3/4"	70	3"	75	3"	75
	221-A07-200	8"	203	5/8"	16	16 11/16"	424	4 3/8"	110	4"	102	4"	102
	221-A07-250	10"	254	5/8"	16	18 15/16"	481	4 1/2"	114	5"	125	5"	125
	221-A07-300	12"	305	5/8"	16	21 15/16"	557	4 15/16"	126	6"	152	6"	152
	221-A07-350	14"	350	5/8"	16	26 7/16"	671	6 3/16"	158	7"	178	7"	178
	221-A07-400	16"	400	5/8"	16	29 7/16"	747	6 11/16"	170	8"	203	8"	203
221-A07-450	18"	457	5/8"	16	30 15/16"	786	6 7/16"	164	9"	228	9"	228	
Wall to Corner Wall to Ceiling	221-A09-050	2"	51	5/8"	16	3 1/2"	89	1 1/2"	13	1/2"	13	1/2"	13
	221-A09-075	3"	76	5/8"	16	6 3/16"	158	3 3/16"	82	3/4"	19	3/4"	19
	221-A09-100	4"	102	5/8"	16	6 11/16"	171	2 3/4"	70	1"	25	1"	25
	221-A09-150	6"	152	5/8"	16	8 11/16"	221	2 3/4"	70	1 1/2"	38	1 1/2"	38
	221-A09-200	8"	200	5/8"	16	12 3/8"	314	4 3/8"	110	2"	51	2"	51
	221-A09-250	10"	250	5/8"	16	14 7/16"	364	4 1/2"	114	2 1/2"	64	2 1/2"	64
	221-A09-300	12"	300	5/8"	16	16 15/16"	431	4 15/16"	114	3"	76	3"	76
	221-A09-350	14"	350	5/8"	16	20 3/16"	513	6 3/16"	158	3 1/2"	89	3 1/2"	89
	221-A09-400	16"	400	5/8"	16	22 11/16"	577	6 11/16"	170	4"	102	4"	102
221-A09-450	18"	450	5/8"	16	24 7/16"	648	6 7/16"	164	4 1/2"	114	4 1/2"	114	

IPC.1579/REV.9

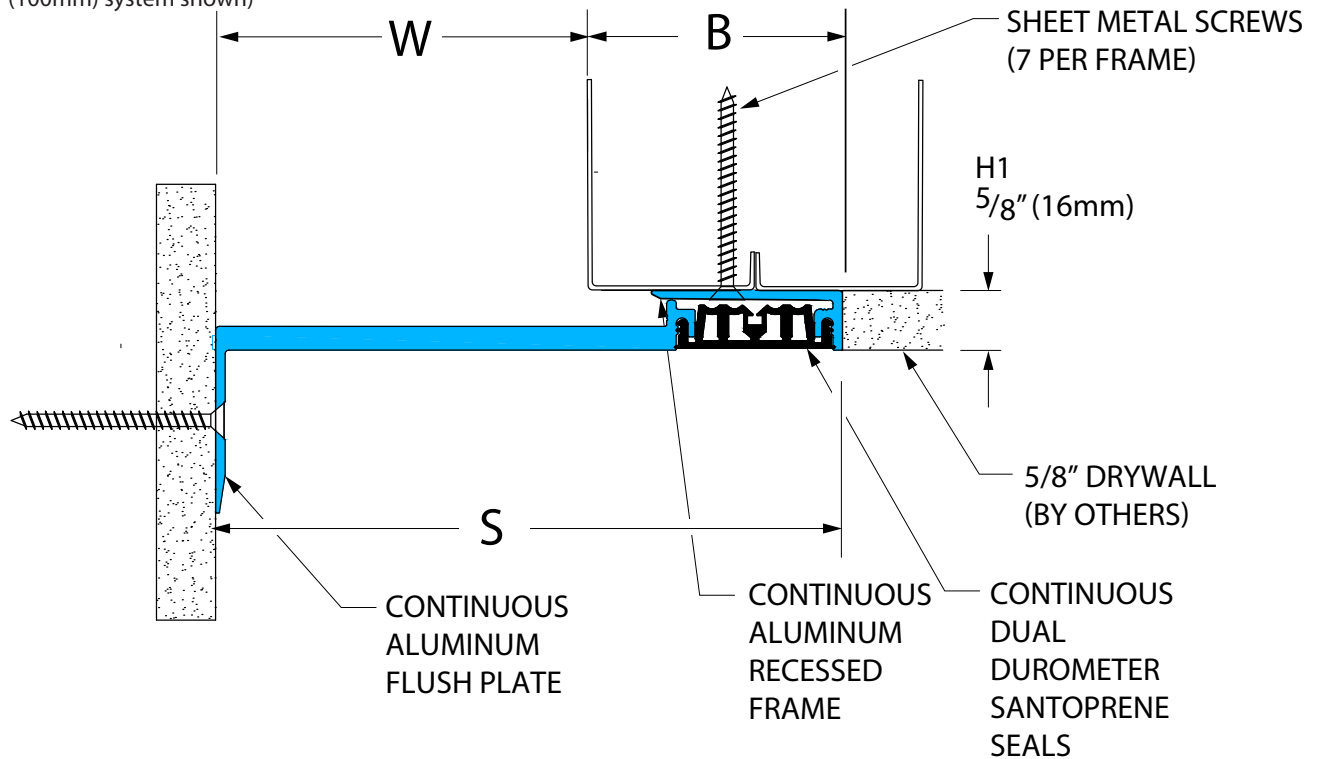
# 221 Series

## Recessed Mount Floor and Wall Systems

221-A07 Wall/Wall  
(4" (100mm) system shown)



221-A09 Wall/Corner  
(4" (100mm) system shown)

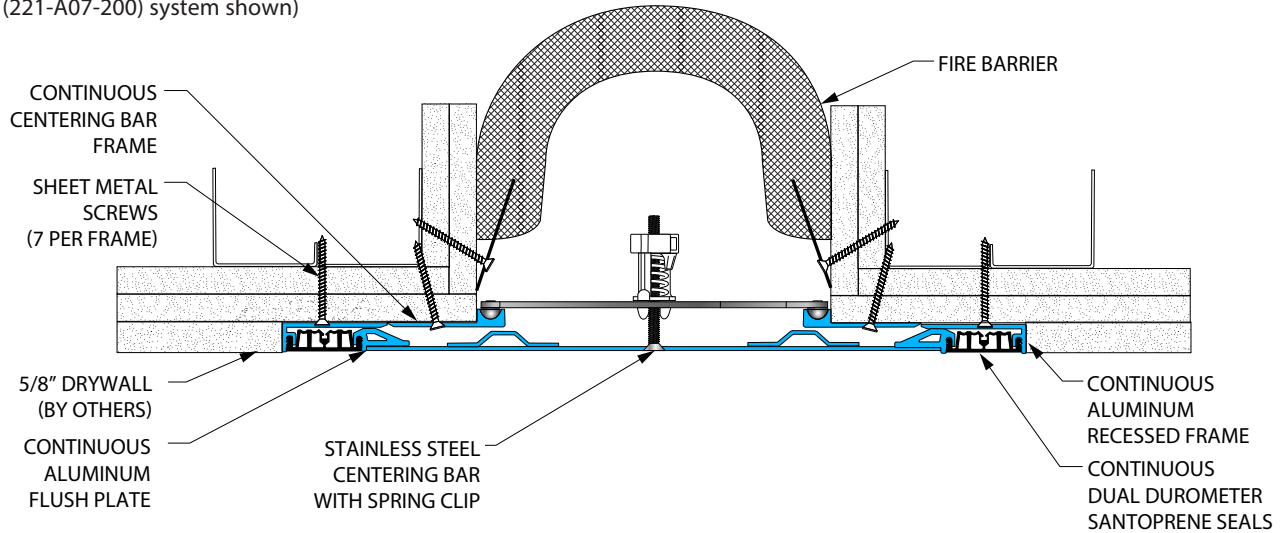


# 221 Series

## Recessed Mount Floor and Wall Systems

### 221 Series Options

Fire Blanket System  
(8" (221-A07-200) system shown)



Vapor Barrier System  
(8" (221-A07-200) system shown)

