

# Installation Instructions

## Joint System: 221, 223 Series Wall to Corner (A09 Condition)

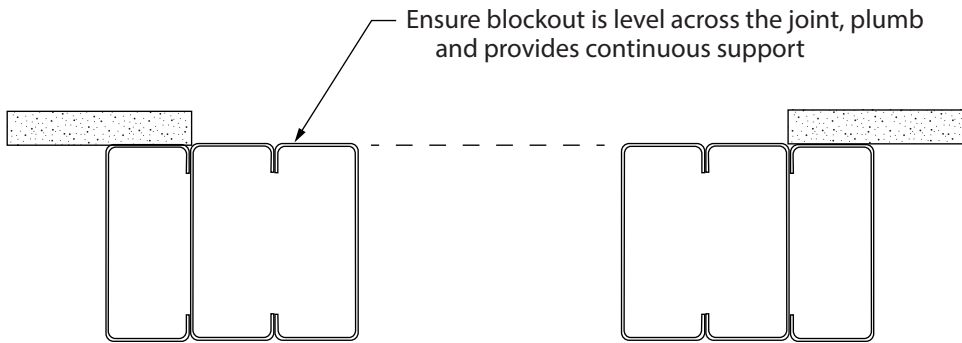
This Installation Instruction covers all 221-A09 and 223-A09 (Wall to Corner) expansion joint widths.

See the follow pages for each joint width/range:

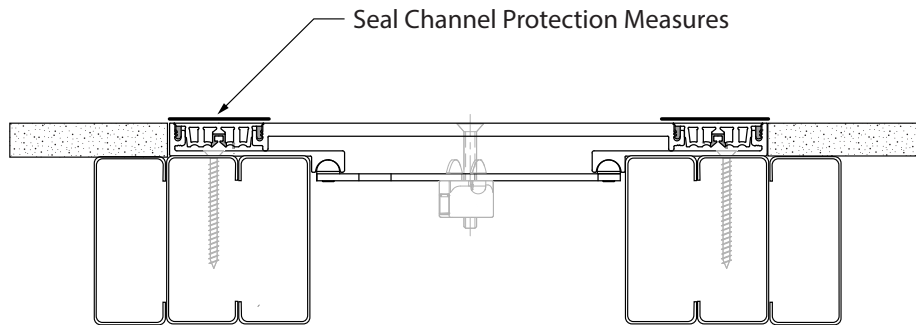
2" [50mm] thru 6" [150mm] - page 2-5

8" [200mm] and larger - page 6-9

Note: Verify that the structural gap and blockout dimensions are in conformance with submittal data before beginning installation. If this is a Fire Rated Assembly, the fire barrier must be installed before the Architectural Joint System. Refer to the fire barrier instructions for specific system installation.



Note: It is important to protect the face of the seal and the seal channels, Protect the seal/franes when finishing gypsum/plasterboard.



Note: When Installing the continuous santoprene seals, ensure you do not stretch the seal during installation into the frames. At transitions, use heatwelding for all seams and directional changes.

\* Reference separate heatwelding instructions if applicable to your project.

IPC.1816/REV 2

JOINTMASTER® Expansion Joint Systems

inpro.com • 800.222.5556 • 262.679.9010

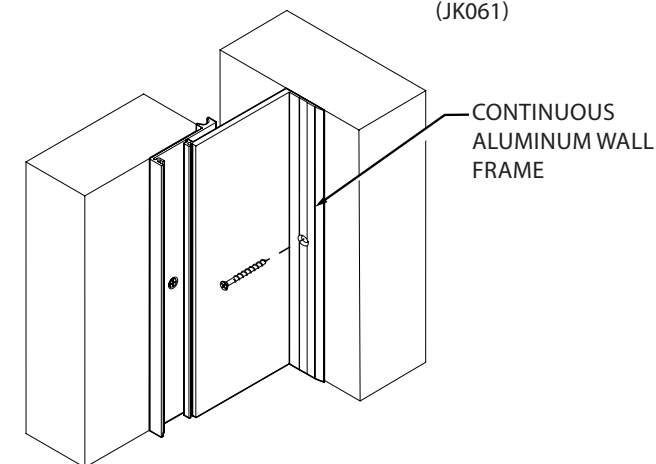
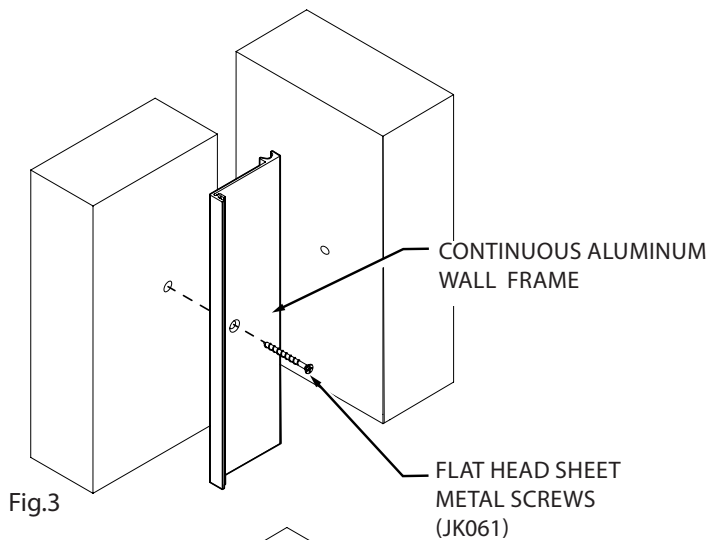
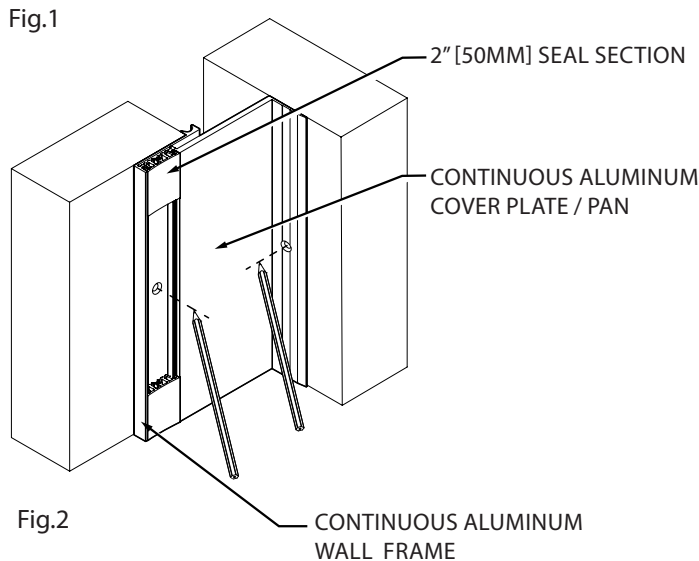
World Headquarters S80 W18766 Apollo Drive, Muskego, WI 53150 USA

Installation Hotline: 866.394.6776

**inpro**®

# Installation Instructions

Joint System: 221, 223 -A09 Series Wall to Corner (2-6" [50-150mm] Systems)



## Expansion Joints: 2" -6" [50-150mm]

**\*Note: see page 4 for 223-A09-150 Install\***

1. Create recess of 5/8" [15mm] into wall system as per the architectural drawings.

Figure 1

2. Cut the aluminum components to the required length.
3. Place the outer frames in the blockout so that they are centered over the structural gap. Place the center pan/plate centrally over the outer frames. To properly space frames, cut six small 2" (50mm) sections of seal. Insert one at each end and one in the center of both sides of the outer frames.
4. Mark the hole locations the wall substrate for the recessed frames, and the leg on the cover pan. Remove the spacers and cover plate from the assembly.

Figure 2

5. Attach the continuous Aluminum Wall Frames to the wall using #8 x 2" [50mm] flat head screws (JK061) at each pre-drilled hole location.

Note: If self-drilling screw tip moves before cutting into the stud, predrill the stud using a 1/16" [3mm] drill bit.

Figure 3

6. Return the cover half plate to the joint opening. Ensure the vertical leg of the plate sits flush against the walls surface.
7. Attach the continuous Aluminum cover plate to the wall using #8 x 2" [50mm] flat head screws (JK061) at each pre-drilled hole location.

# Installation Instructions

## Joint System: 221, 223 -A09 Series Wall to Corner (2-6" [50-150mm] Systems)

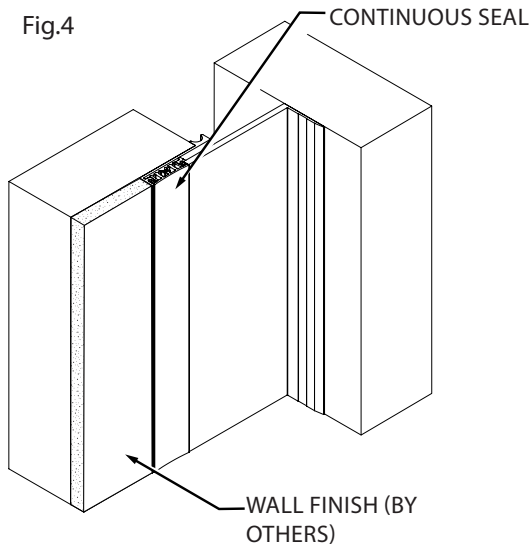


Figure 4.

8. Insert the Santoprene seals into the recessed frame slots until the seals are flush with the tops of the frames. NOTE: To assist in installing the seal, apply a mist of soapy water solution to the back of the seal. A 1" (25mm) wide roofing seam roller may be used to fully engage the seal barbs into the frame slots.

9. If finishing edge of drywall after installation of system, reference the project's gypsum / plasterboard specifications for edge finishing procedure.

Note: It is important to protect the face of the seal or the seal channels, use painters tape applied to the top face of the seal/ frames when feathering dry wall. feathering compound cures in channel, the black tips of the seal will not be able to lock into the channel.

10. For 223 systems, install 3/8" [9mm] infill flush with top of the pan. Reference finish material supplier's recommendations for appropriate prepwork and adhesive considerations.

11. Clean the exposed surfaces with a non-solvent cleaner, such as 409 or Xylene, as required.

# Installation Instructions

Joint System: 223 -A09 Series Wall to Corner (6" [150mm] Systems)

Fig.1

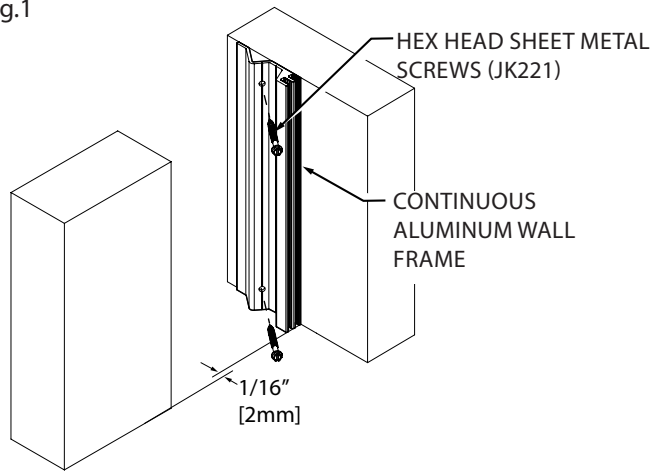


Fig.2

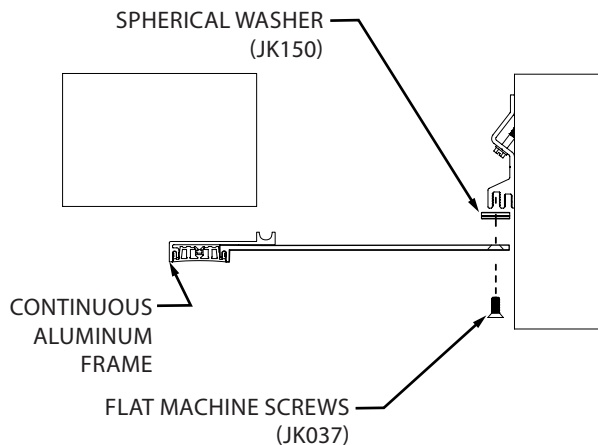
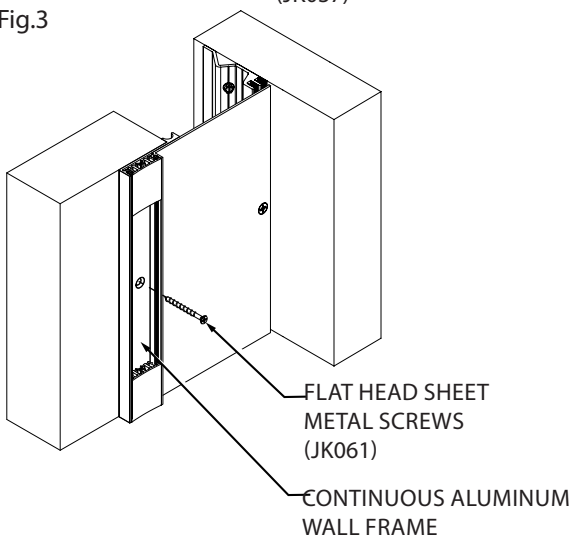


Fig.3



## Expansion Joint: 223-A09-150 system only

1. Create recess of 5/8" [15mm] into wall system as per the architectural drawings.

Figure 1

2. Cut the aluminum components to the required length.

3. Place the continuous aluminum wall frame, so it is aligned 1/16" behind the edge of the opposite wall.

4. Pre-drill the existing hole locations. Fasten wall frame in place using #12 x 2 1/2" [M5x65] Hex Head sheet metal screws (JK221)

Figure 2

5. Pre-assembly the frame, seals and cover plate. Cut three small 2" (50mm) sections of seal. Insert one at each end and one in the center of both sides of the outer frames.

6. Anchor Aluminum Cover Pan to the front channel of the aluminum wall frame; using 1/4"-20 x 5/8" [M6x1x16] Flat head machine screw (JK037) and spherical washers (JK150) as shown.

Figure 3

7.. Attach the continuous Aluminum Wall Frames to the wall using #8 x 2" [50mm] flat head screws (JK061) at each pre-drilled hole location.

Note: If self-drilling screw tip moves before cutting into the stud, predrill the stud using a 1/16" [3mm] drill bit.

8. Remove the spacers and cover plate from the assembly.

# Installation Instructions

## Joint System: 223 -A09 Series Wall to Corner (6" [150mm] Systems)

Fig.4

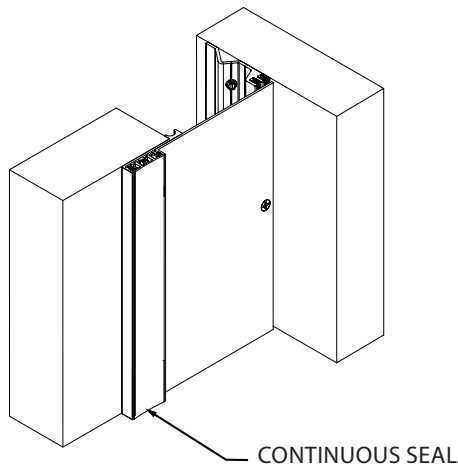


Figure 4

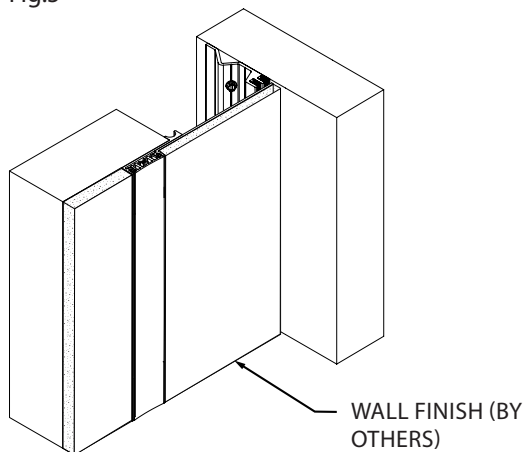
9. Insert the Santoprene seals into the recessed frame slots until the seals are flush with the tops of the frames. NOTE: To assist in installing the seal, apply a mist of soapy water solution to the back of the seal. A 1" wide roofing seam roller may be used to fully engage the barbs of the seal into the frame slots.

Figure 5

10. If finishing edge of drywall after installation of system, reference the project's gypsum / plasterboard specifications for edge finishing procedure.

Note: It is important to protect the face of the seal or the seal channels, use painters tape applied to the top face of the seal/ frames when feathering dry wall. feathering compound cures in channel, the black tips of the seal will not be able to lock into the channel.

Fig.5



11. Install 3/8" [9mm] infill flush with top of the pan. Reference finish material supplier's recommendations for appropriate prepwork and adhesive considerations.

12. Clean the exposed surfaces with a non-solvent cleaner, such as 409 or Xylene, as required.

# Installation Instructions

Joint System: 221, 223 -A09 Series Wall to Corner (8" [200mm] and larger systems)

Fig.1

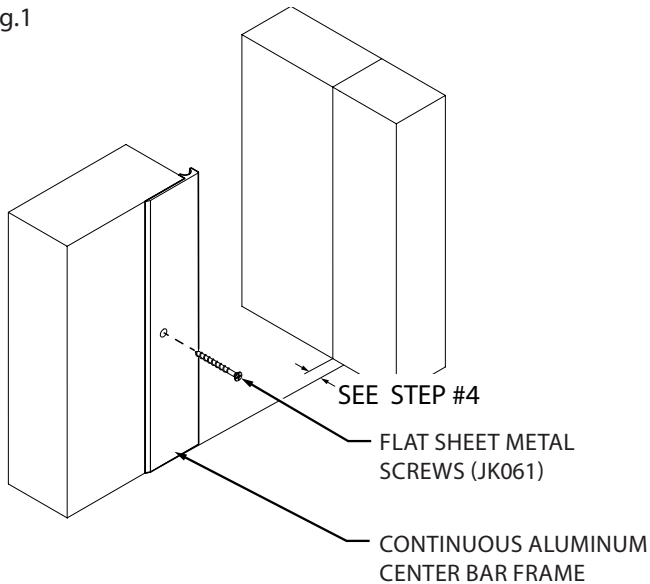


Fig.2

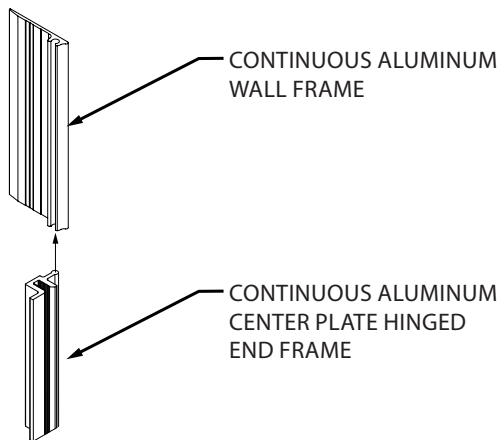
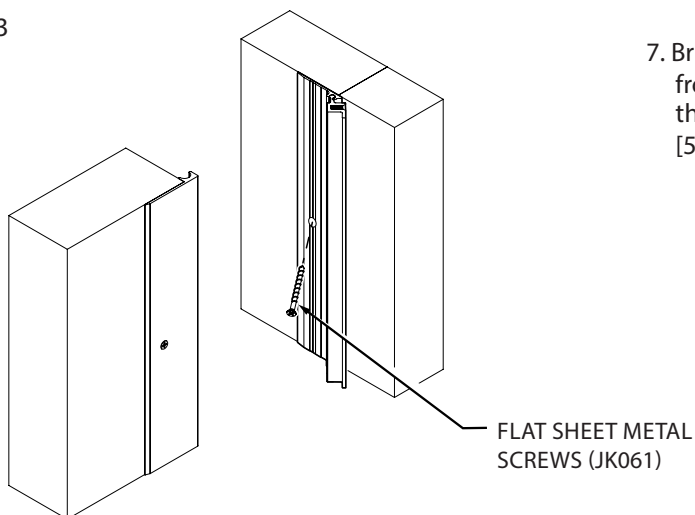


Fig.3



## Expansion Joints: 8" [200mm] plus

1. Create recess of 5/8" [15mm] into wall system as per the architectural drawings.

### Figure 1

2. Cut the aluminum components to the required length.
3. Attach the continuous Aluminum Frames to the wall using #8 x 2" [50mm] flat head screws (JK061) at each pre-drilled hole location. ensure frame is flush against the edge of the joint opening.

Note: If self-drilling screw tip moves before cutting into the stud, predrill the stud using a 1/16" [3mm] drill bit.

4. Snap a plumb line so it is aligned 1/16" [2mm] (223 system) or 1/4" [6mm] (221 system) behind the outside face of the wall frame on the opposite wall.

### Figure 2

5. Assemble the continuous Aluminum Wall Frame (J3A200) and the Continuous Aluminum Center Plate Hinged End Frame (J2E003). slide the rounded end of the hinge frame into the U channel on the wall frame. Ensure the threaded channel on the hinge faces away from the vertical leg.
6. Position the Centering Bar Frames against the edge of the joint opening as showing. Ensure short leg is flush against the joint edge. Attach the continuous Centering Bar Frames to the wall using #8 x 2" [50mm] flat head screws (JK061) at each pre-drilled hole location.

### Figure 3

7. Bring the Wall Frame and Hinge Assembly to the wall, and align front lip of the wall frame to the plumb line on the wall. Attach the continuous Aluminum Frames to the wall using #8 x 2" [50mm] flat head screws (JK061) at each pre-drilled hole location.

# Installation Instructions

Joint System: 221, 223 -A09 Series Wall to Corner (8" [200mm] and larger systems)

Fig.4

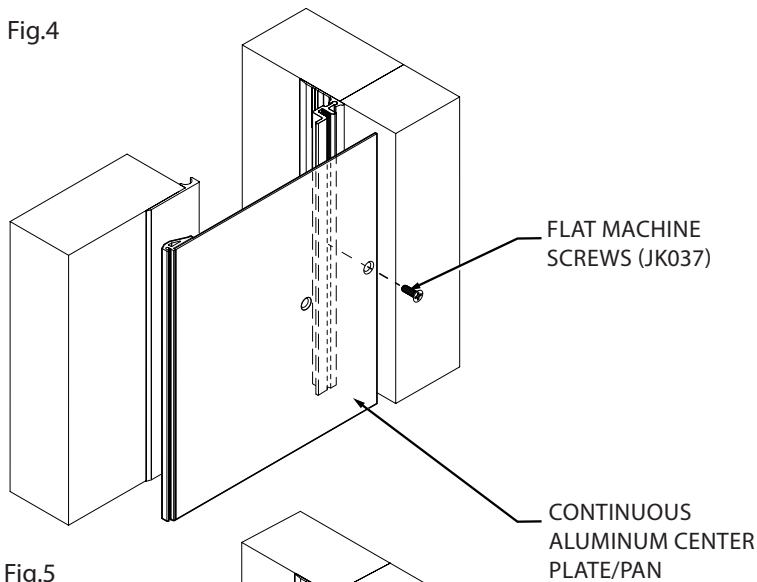


Figure 4

8. Bring the cover plate / pan assembly to the expansion joint. Align the pre-drilled holes along the edge of the cover plate with the threaded channel. Fasten together using supplied 1/4"-20 x 5/8" flat head machine screw (JK037).

NOTE: Always hand tighten screws when fastening the cover plate into the aluminum hinge, to prevent stripping.

Figure 5

9. Pre-assembly the frame, seals and cover plate. To properly space frames, cut six small 2" (50mm) sections of seal. Insert one at each end and one in the center of both sides of the outer frames.  
10. Attach the continuous Aluminum Wall Frames to the wall using #8 x 2" [50mm] flat head screws (JK061) at each pre-drilled hole location.

Fig.5

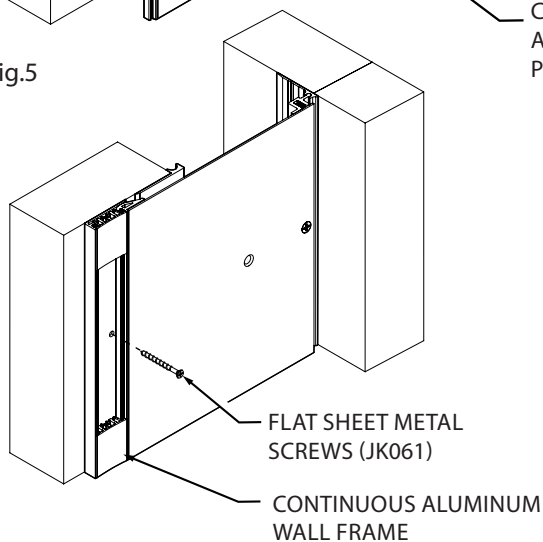


Figure 6

11. Remove center bars and attach supplied hex head screw to the rivet nut anchored in the centering bar as shown. The head of the machine screw should be installed per the heights show below:  
221 Systems: 7/8" [22mm]  
223 Systems: 5/8" [16mm]

Note: To ensure machine screw does not loosen over time, add a line of loc-tite to the screw before installation (by others)

Fig.5a

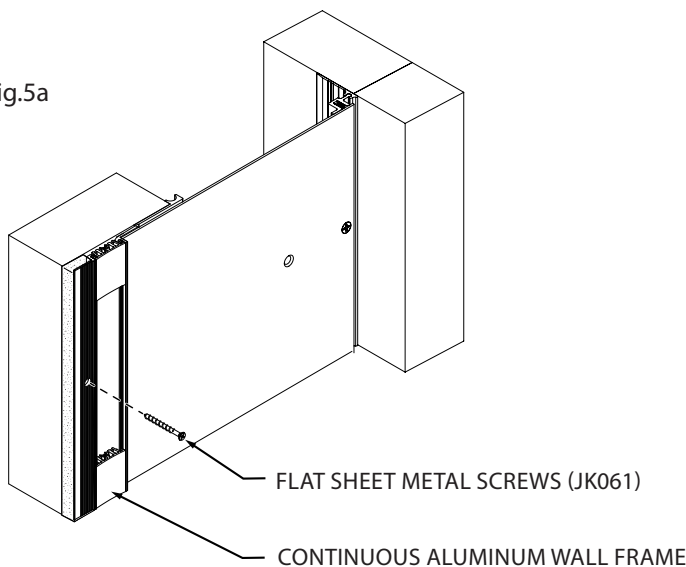
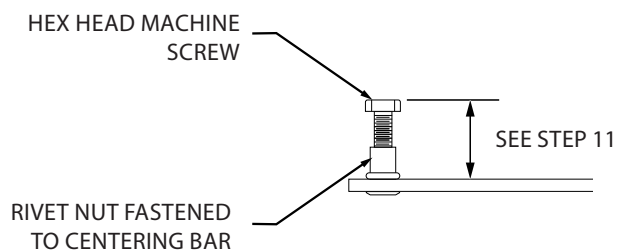


Fig.6



# Installation Instructions

Joint System: 221, 223 -A09 Series Wall to Corner (8" [200mm] and larger systems)

Fig 7

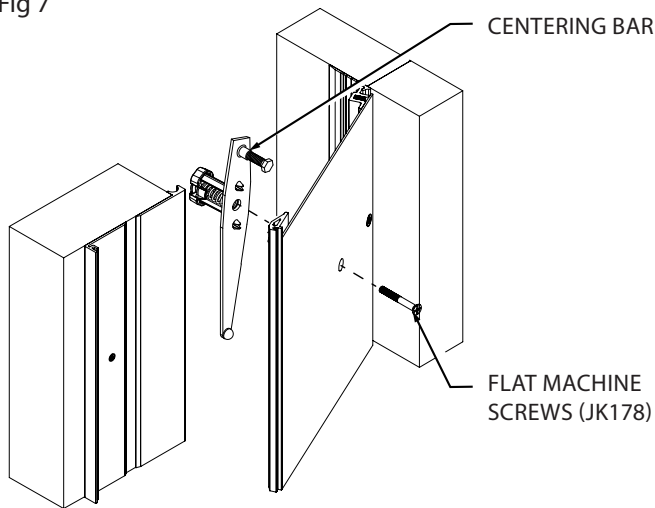


Figure 7

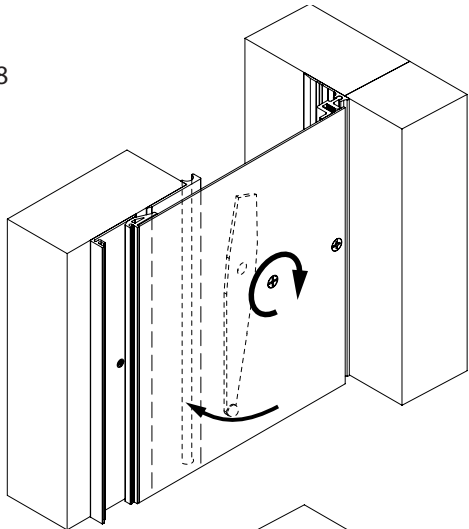
12. Remove the three seal sections from the assembly. Open the cover plate to provide access to back side.
13. Loosely thread the centering bar onto the 1/4"-20 x 3" machine screw (JK178)

Figure 8

14. Close cover plate so it sits against the wall frames. Begin to hand tighten the screws to engage the centering bars in the frame channels.

Note: If system is being installed in the opposite of shown, the rounded end of the centering bar should point up.

Fig 8



15. Do not overtighten screw, this may deform the centering bar, or cover plate and prevent rotation as the expansion joint moves. Cover pan/plate should be snug to frames.

Note: If Centering bars do not rotate as the screw is tightened, use Loctite applied to screw threads. Or use painters tape to hold centering bars to screws as the screw is tightened.

Fig 9

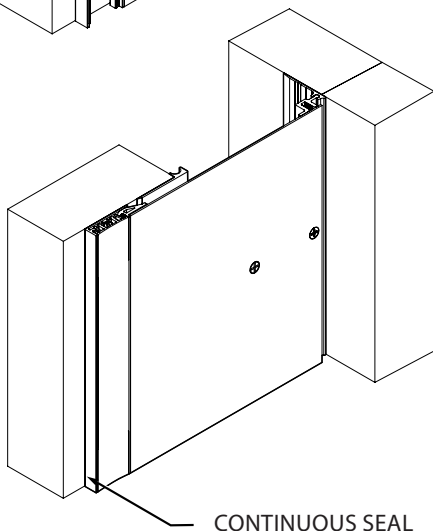


Figure 9

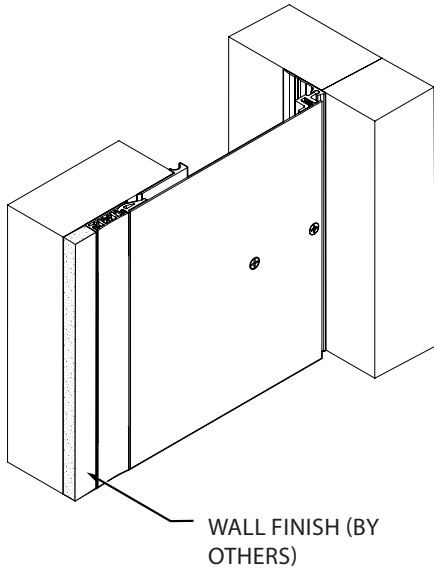
16. Insert the Santoprene seals into the recessed frame slots until the seals are flush with the tops of the frames. NOTE: To assist in installing the seal, apply a mist of soapy water solution to the back of the seal. A 1" wide roofing seam roller may be used to fully engage the seal barbs into the frame slots.



# Installation Instructions

Joint System: 221, 223 -A09 Series Wall to Corner (8" [200mm] and larger systems)

---



17. If finishing edge of drywall after installation of system, reference the project's gypsum / plasterboard specifications for edge finishing procedure.

Note: It is important to protect the face of the seal or the seal channels, use painters tape applied to the top face of the seal/ frames when feathering dry wall. feathering compound cures in channel, the black tips of the seal will not be able to lock into the channel.

18. For 223 systems, install 3/8" [9mm] infill flush with top of the pan. Reference infill materials suppliers recommendations for appropriate prepwork and adhesive considerations.

19. Clean the exposed surfaces with a non-solvent cleaner, such as 409 or Xylene, as required.