

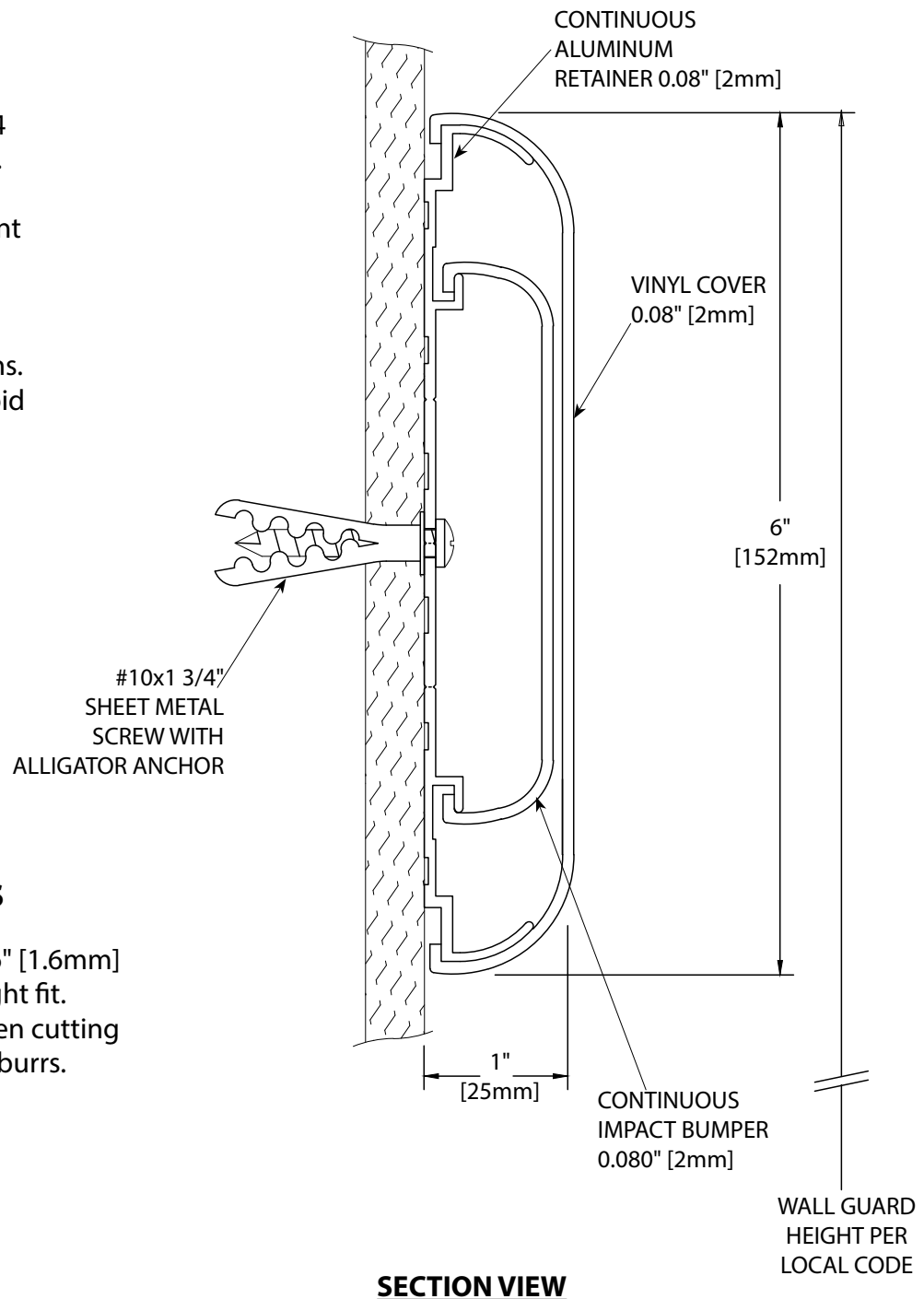
Installation Instructions

1600/1655/G2-1600 Wall Guard

Please read all instructions before installing wallguard.

Important

1. Acclimate materials 24 hrs before installation. Maintain temperature controlled environment after installation.
2. Install in accordance with manufacturer's installation instructions. Failure to do so will void the warranty.



Installation tips

1. Cut covers up to 1/16" [1.6mm] longer to ensure a tight fit.
2. Lubricate blades when cutting aluminum to reduce burrs.

RECOMMENDED TOOLS

Safety Glasses, Tape Measure, Power Drill, Drill Bits - 1/4" masonry (concrete/concrete block), Power Miter Saw, 10" Blade with 60-80 Carbide Tipped Teeth

IPC.349/REV.10

IPC® Door + Wall Protection

inpro.com • 800.222.5556 • 262.679.9010

World Headquarters S80 W18766 Apollo Drive, Muskego, WI 53150 USA

Installation Hotline: 866.394.6776

inpro®

Installation Instructions

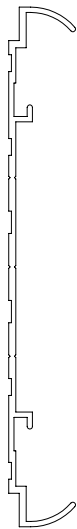
1600/1655/G2-1600 Wall Guard

Please read all instructions before installing wallguard.

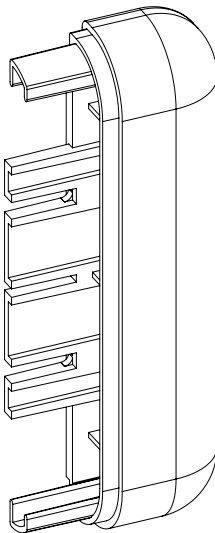
Components and Fasteners



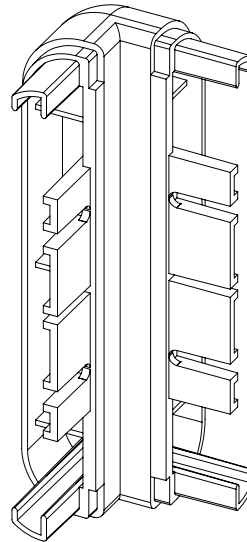
1600V
VINYL COVER



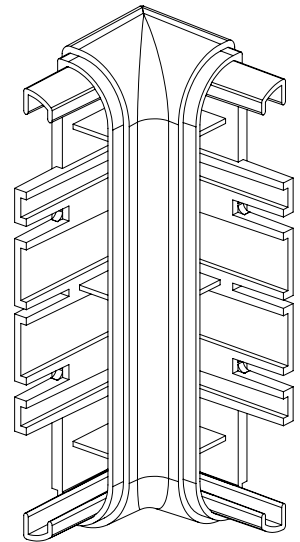
1620A
CONTINUOUS
ALUMINUM RETAINER



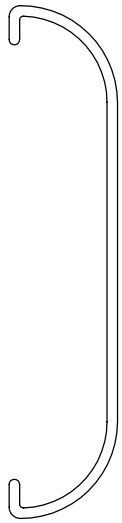
1622
END CAP



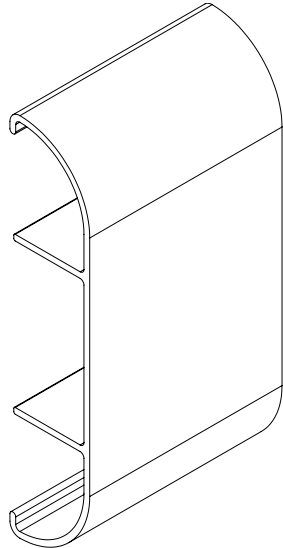
1623
OUTSIDE CORNER



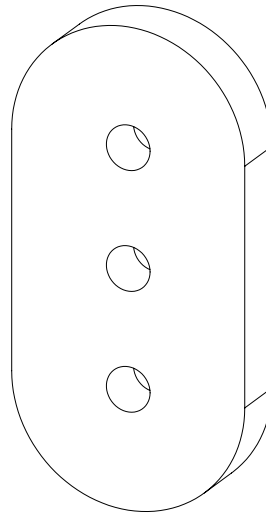
1627
INSIDE CORNER



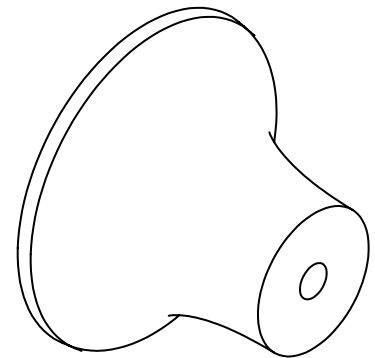
700B
VINYL IMPACT BUM-
PER



706
ALUMINUM SPLICE



1601
RUBBER SPACER
1/2" THICK
(OPTIONAL)



1001
MOUNTING
BRACKET
(OPTIONAL)

Fasteners

Wall Condition	Specified Fasteners	Inpro part #
Wall Guard Profile Hardware	#10 1 3/4" Phillips pan head sheet metal screw with alligator anchor	HWK-WG/CR
Concrete Hardware for Corners	#10 1 3/4" Phillips pan head sheet metal screw with alligator anchor	HWK-CC
Drywall Hardware for Corners	#8 x 1 1/2" Phillips Indented Hex Washer Self-Drilling Screw #2PT ZP	HWK-CDW

IPC® Door + Wall Protection

inpro.com • 800.222.5556 • 262.679.9010

World Headquarters S80 W18766 Apollo Drive, Muskego, WI 53150 USA

Installation Hotline: 866.394.6776

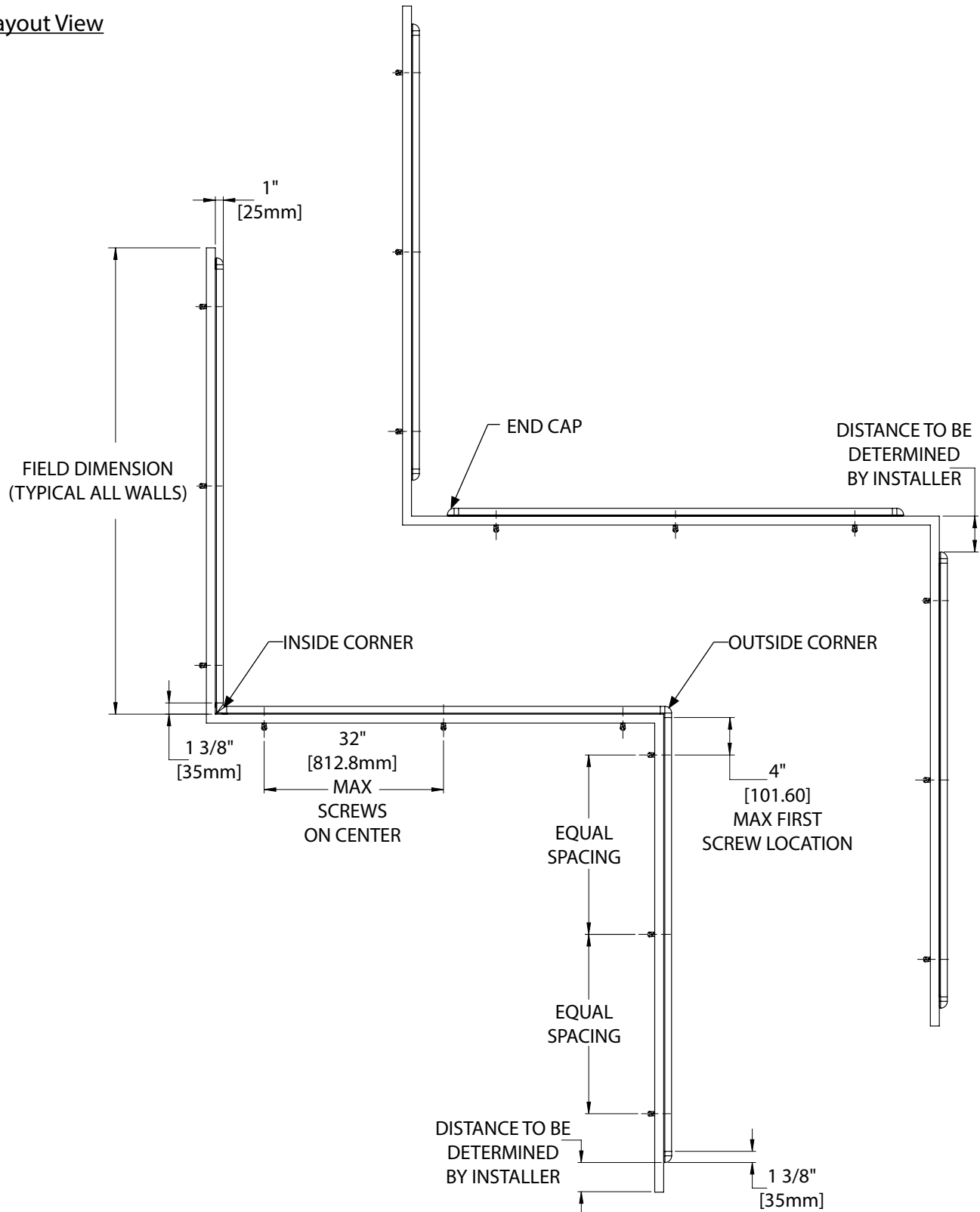
inpro®

Installation Instructions

1600/1655/G2-1600 Wall Guard

Please read all instructions before installing wallguard.

Layout View



IPC® Door + Wall Protection

inpro.com • 800.222.5556 • 262.679.9010

World Headquarters S80 W18766 Apollo Drive, Muskego, WI 53150 USA

Installation Hotline: 866.394.6776

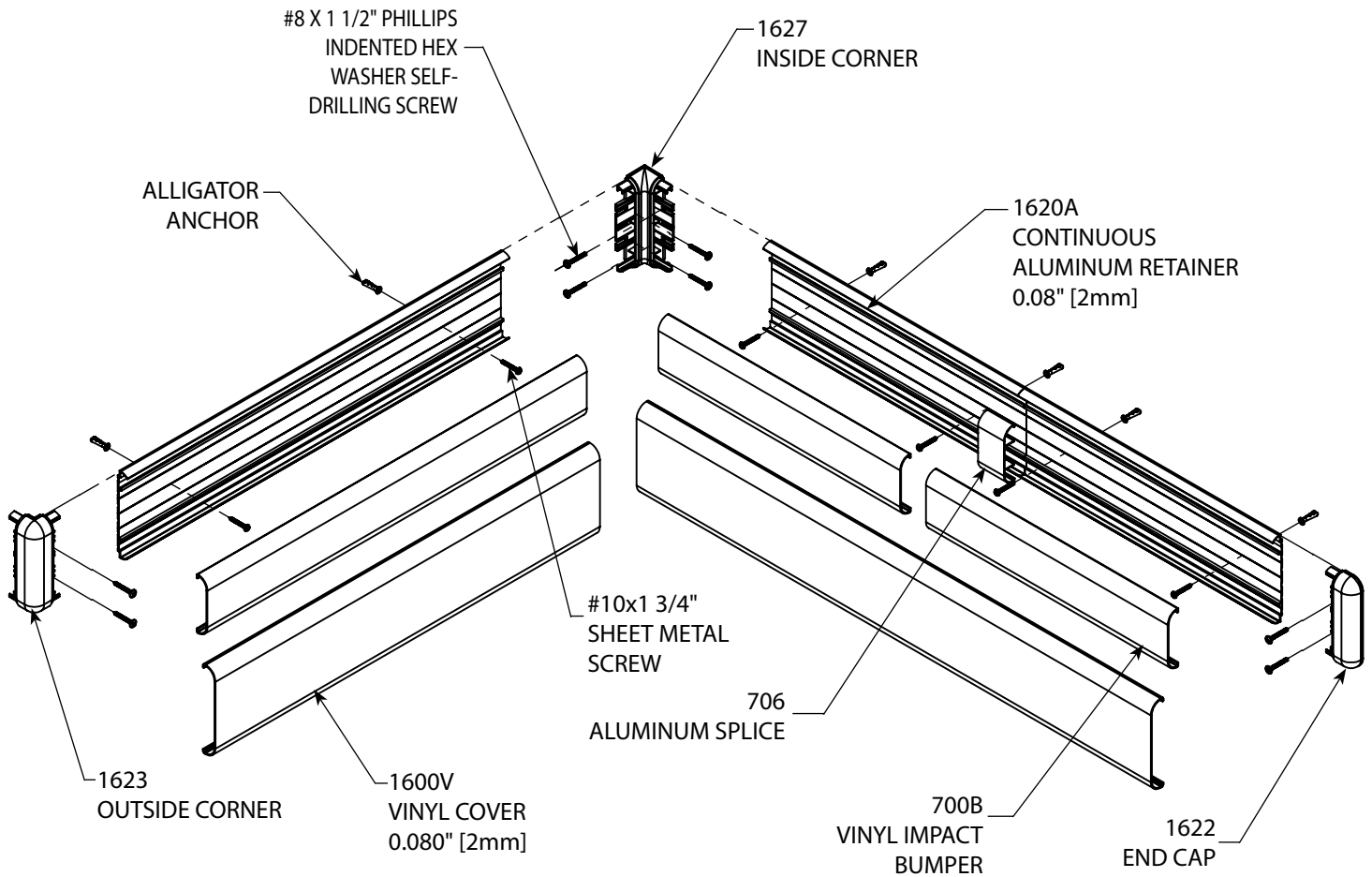
inpro®

Installation Instructions

1600/1655/G2-1600 Wall Guard

Please read all instructions before installing wallguard.

Exploded Assembly View



IPC® Door + Wall Protection

inpro.com • 800.222.5556 • 262.679.9010

World Headquarters S80 W18766 Apollo Drive, Muskego, WI 53150 USA

Installation Hotline: 866.394.6776

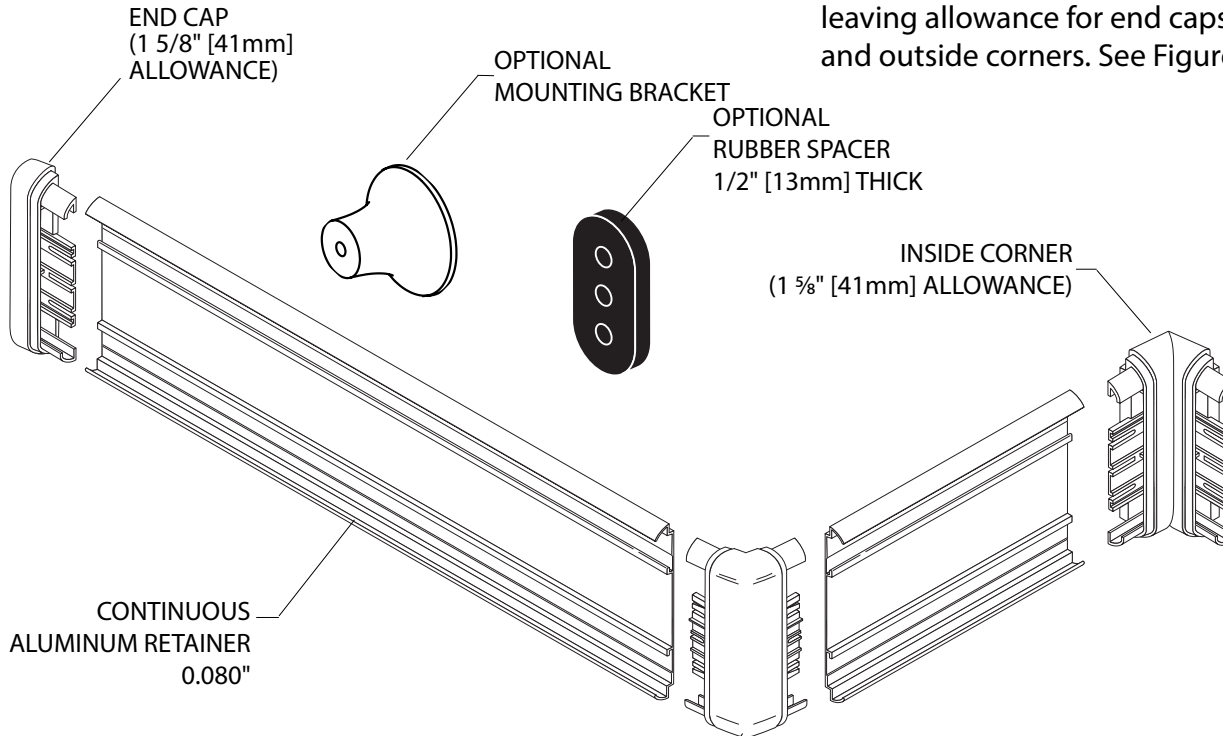
inpro®

Installation Instructions

1600/1655/G2-1600 Wall Guard

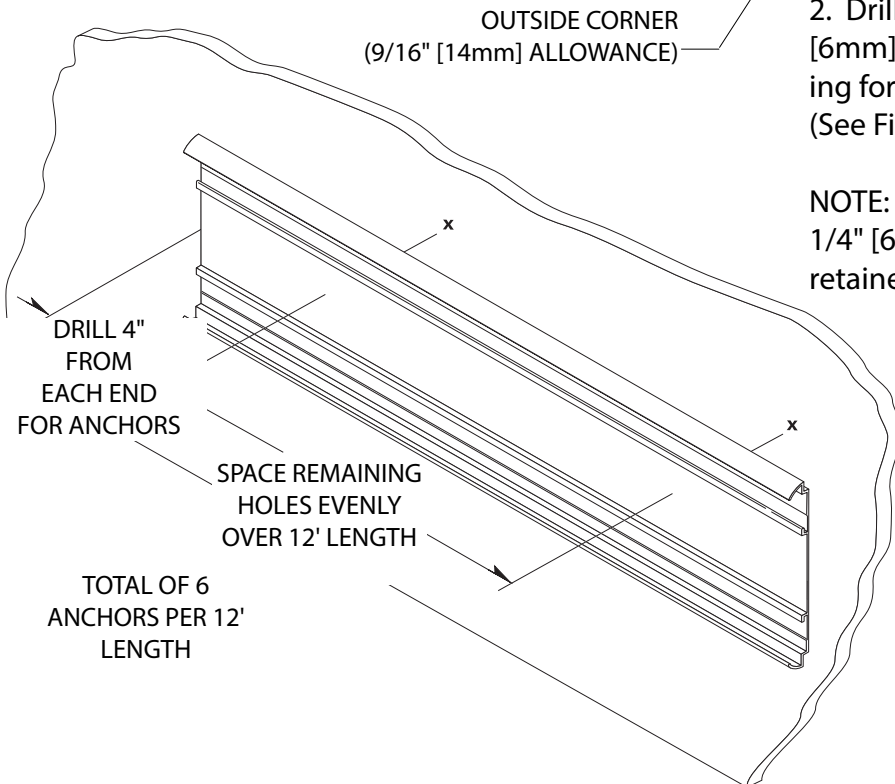
Please read all instructions before installing wallguard.

FIG. 1



1. Cut aluminum retainer to desired length, leaving allowance for end caps, inside corner and outside corners. See Figure 1.

FIG. 2



2. Drill holes in centerline of retainer using 1/4" [6mm] drill bit. Position retainer on wall allowing for end caps/corners. Level and mark holes. (See Figure 2.)

NOTE: For concrete or brick wall installation, drill 1/4" [6mm] holes, 3/8" [10mm] from each end of retainer for end caps/corners.

IPC® Door + Wall Protection

inpro.com • 800.222.5556 • 262.679.9010

World Headquarters S80 W18766 Apollo Drive, Muskego, WI 53150 USA

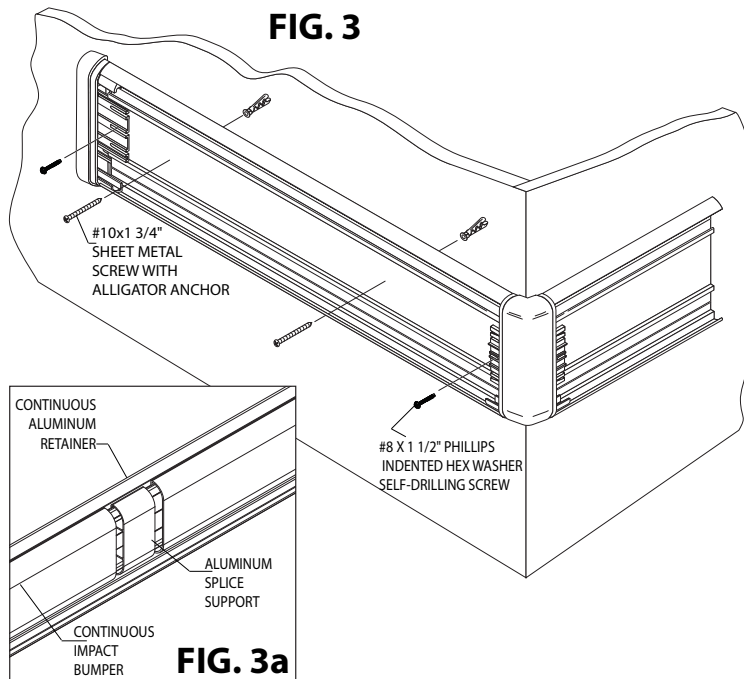
Installation Hotline: 866.394.6776

inpro®

Installation Instructions

1600/1655/G2-1600 Wall Guard

Please read all instructions before installing wallguard.



3. Drill marked holes on wall using a 1/4" [6mm] drill bit and position Alligator anchors into holes. Mount retainer on wall and tighten screws to secure. Slide end caps and corners onto the retainer and secure, leaving a 1/16" [1.5mm] gap between returns/corners and retainer to allow for adjustment. (See Figure 3.)

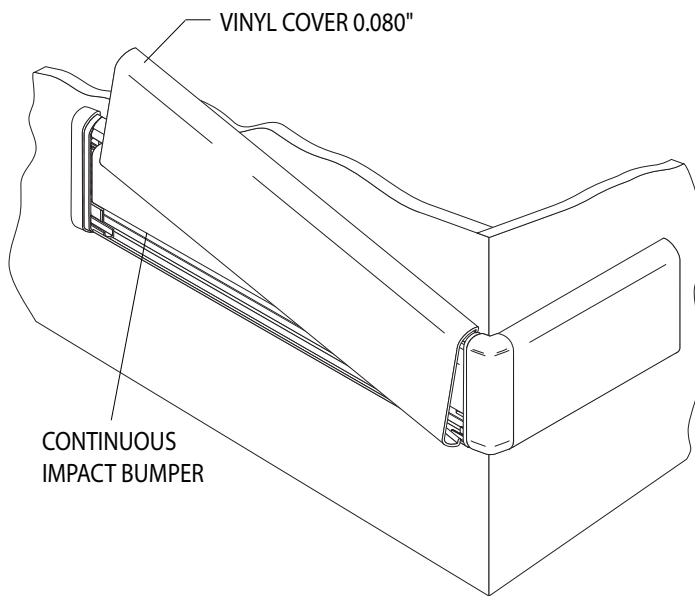
With lengths over 12' [3658mm], an aluminum splice support is recommended behind vinyl butt joints for added support. Snap aluminum support on the aluminum retainer behind the vinyl cover butt joint. (See Figure 3a.)

NOTE: For concrete or brick wall installation, use #10 x 13/4" [5 x 44mm] Phillips pan head screws to secure end caps and corners.

NOTE: If rubber spacers are used, attach them behind the retainer at all mounting hole locations, including those for end caps and corners.

NOTE: If brackets are used, use a 3/4" [19mm] drill bit for toggle wings or a 1/2" [13mm] drill bit for lead anchors to drill the marked holes on the wall. Attach end caps and corners with 5/8" [16] hex bolt assembly.

FIG. 4



4. Cut the impact bumper to the length between the inside edge of the end caps/corners. Position and snap bumper in place. Cut the cover to length between end caps and/or corners. (Note: Trim factory edges square before installation). Position cover on retainer and adjust returns and/or corners for a tight fit. Push cover over the retainer until it snaps into place. (See Figure 4.)

NOTE: For 1655 Only - When continuous runs are over 12' [3658], covers should be installed in consecutive order using the numbers found on the back of covers. This ensures proper alignment.

IPC® Door + Wall Protection

inpro.com • 800.222.5556 • 262.679.9010

World Headquarters S80 W18766 Apollo Drive, Muskego, WI 53150 USA

Installation Hotline: 866.394.6776

inpro®