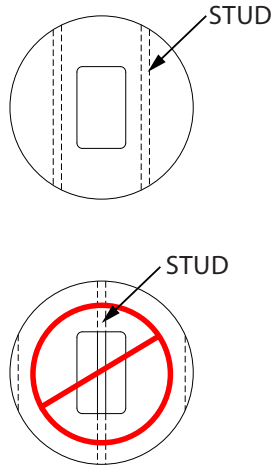
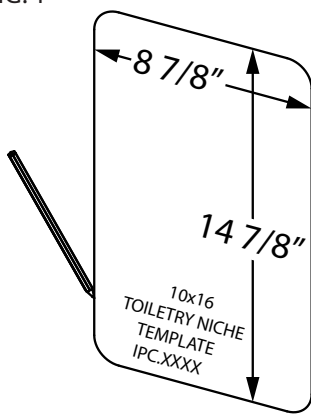


Prism™ Solid Surface

Installation Instructions 10x16 Toiletry Niche

Please read all instructions before installing products.

FIG. 1



1. Determine the location of the niche on the wall.

Caution:

- Avoid locating where a stud may interfere.
- Do not oversize cutout or square off cutout corners, this may result in the cutout being visible after completing the install.

2. Transfer the template (10x16 Toiletry Niche Template CADEN.3203) to the wall. *See Figure 1.*

3. Drill a minimum 3/8" diameter holes at each corner of the template. Using a jigsaw, cut along the template to form a hole in the wall. *See Figure 2.*

4. Dry fit the niche in the opening. Using a level, align the niche and add guide lines to the wall. *See Figure 3.*

5. Apply beads of silicone adhesive to back flange of the niche, leaving room for hot melt glue. *See Figure 4.*

FIG. 2

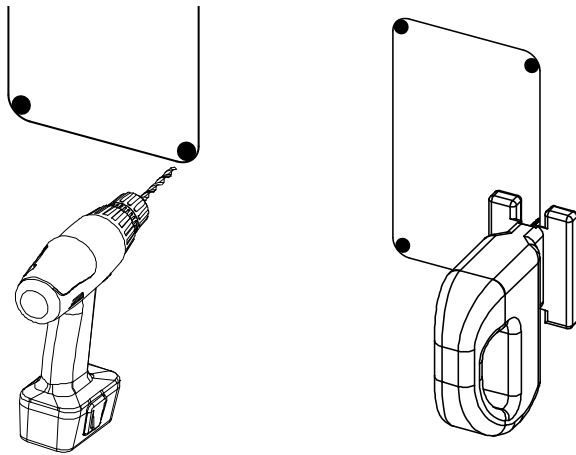


FIG. 4

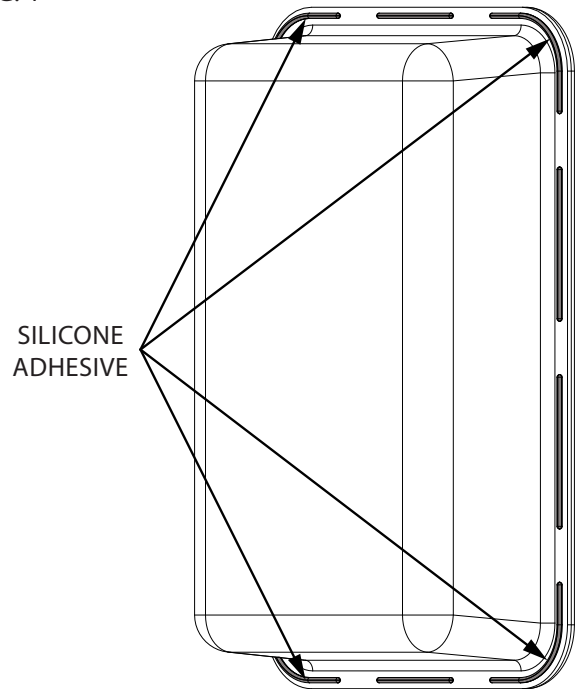
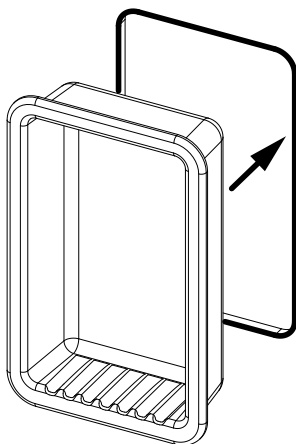


FIG. 3



IPC.3487/REV.1

ENDURANT® Washroom Systems

inpro.com • 800.222.5556 • 262.679.9010

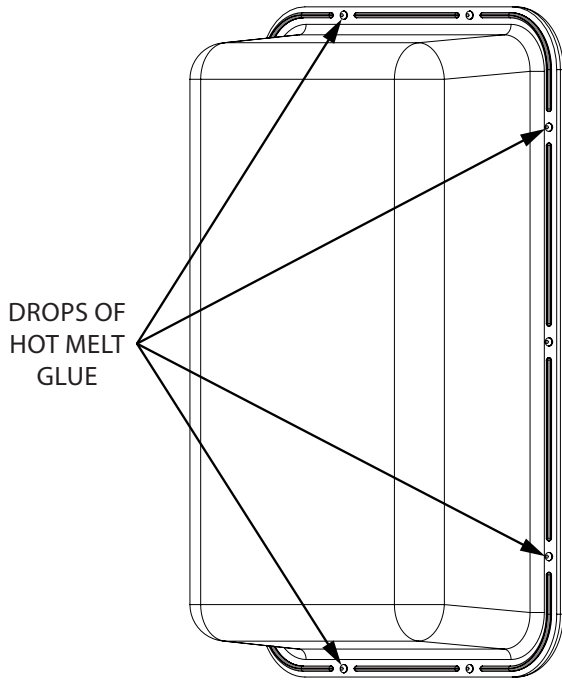
World Headquarters S80 W18766 Apollo Drive, Muskego, WI 53150 USA

Installation Hotline: 866.394.6776

inpro®

Prism™ Solid Surface Installation Instructions 10x16 Toiletry Niche

FIG. 5



6. Apply hot melt glue to several locations on the back of the niche. *See Figure 5.*

7. Immediately position the niche in the opening, making sure that the niche is level. Remove any excess adhesive with denatured alcohol. Tape the niche to the wall, to hold it in place until the adhesive cures. *See Figure 6.*

8. Allow silicone to cure before removing the tape. Complete the installation with a bead of silicone around the perimeter of the niche, where it meets the wall. Clean-up excess silicone with denatured alcohol. *See Figure 7.*

Note:

If you are using pick resistant color coordinated caulk (FastFill) please refer to the FastFill Installation Addendum.

FIG. 6

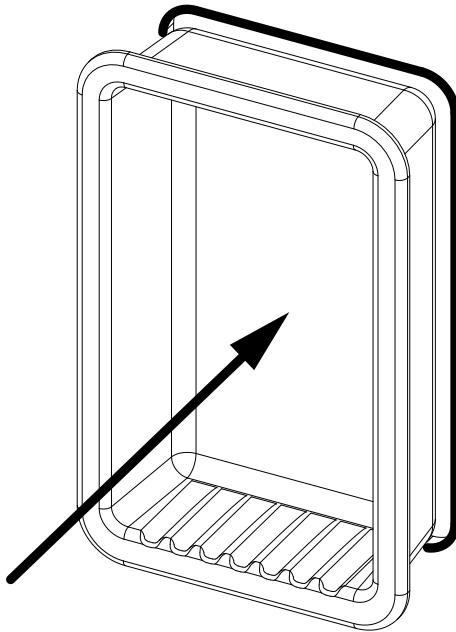


FIG. 7

