

107-A01-02538

JOINT WIDTH		MOVEMENT ±			
		HORIZONTAL		VERTICAL	
US	mm	US	mm	US	mm
1"	25	1/4"	6	1/4"	6

NOTE: TO DETERMINE BLOCKOUT DEPTH, DEDUCT THICKNESS OF FIN. FLR. FROM FRAME HEIGHT.

SPECIFY SEAL COLOR:	
Black (J1D101)	
Beige (J1D102)	
Gray (J1D103)	
Off White (J1D104)	
Bright White (J1D105)	
Greige (J1D106)	

FINISH: ALUM. FINISH-MILL

PROJECT:

CUSTOMER:

LOCATION:

APPLICATION-
NEW TO OLD FLOOR/FLOOR CONDITION

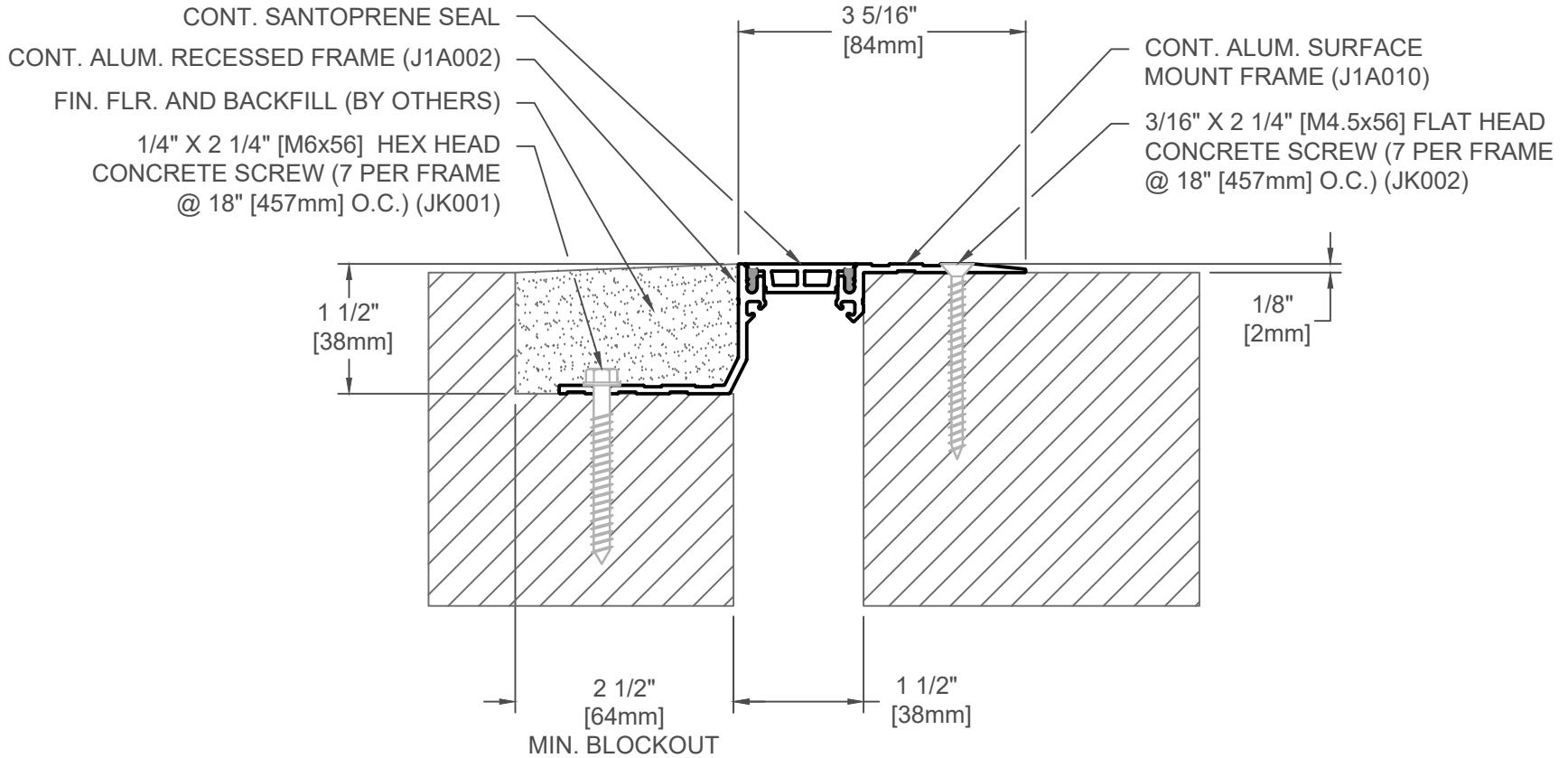
DATE: 03-01-17

SCALE: 1:2

DOC: CADJM.071/R2

inpro.

For More Information Visit: Inprocorp.com



SPECIFY SEAL COLOR:	
Black (J1D151)	
Beige (J1D152)	
Gray (J1D153)	
Off White (J1D154)	
Bright White (J1D155)	
Greige (J1D156)	

107-A01-03838

JOINT WIDTH		MOVEMENT ±			
		HORIZONTAL		VERTICAL	
US	mm	US	mm	US	mm
1-1/2"	38	3/8"	10	3/8"	10

NOTE: TO DETERMINE BLOCKOUT DEPTH, DEDUCT THICKNESS OF FIN. FLR. FROM FRAME HEIGHT.

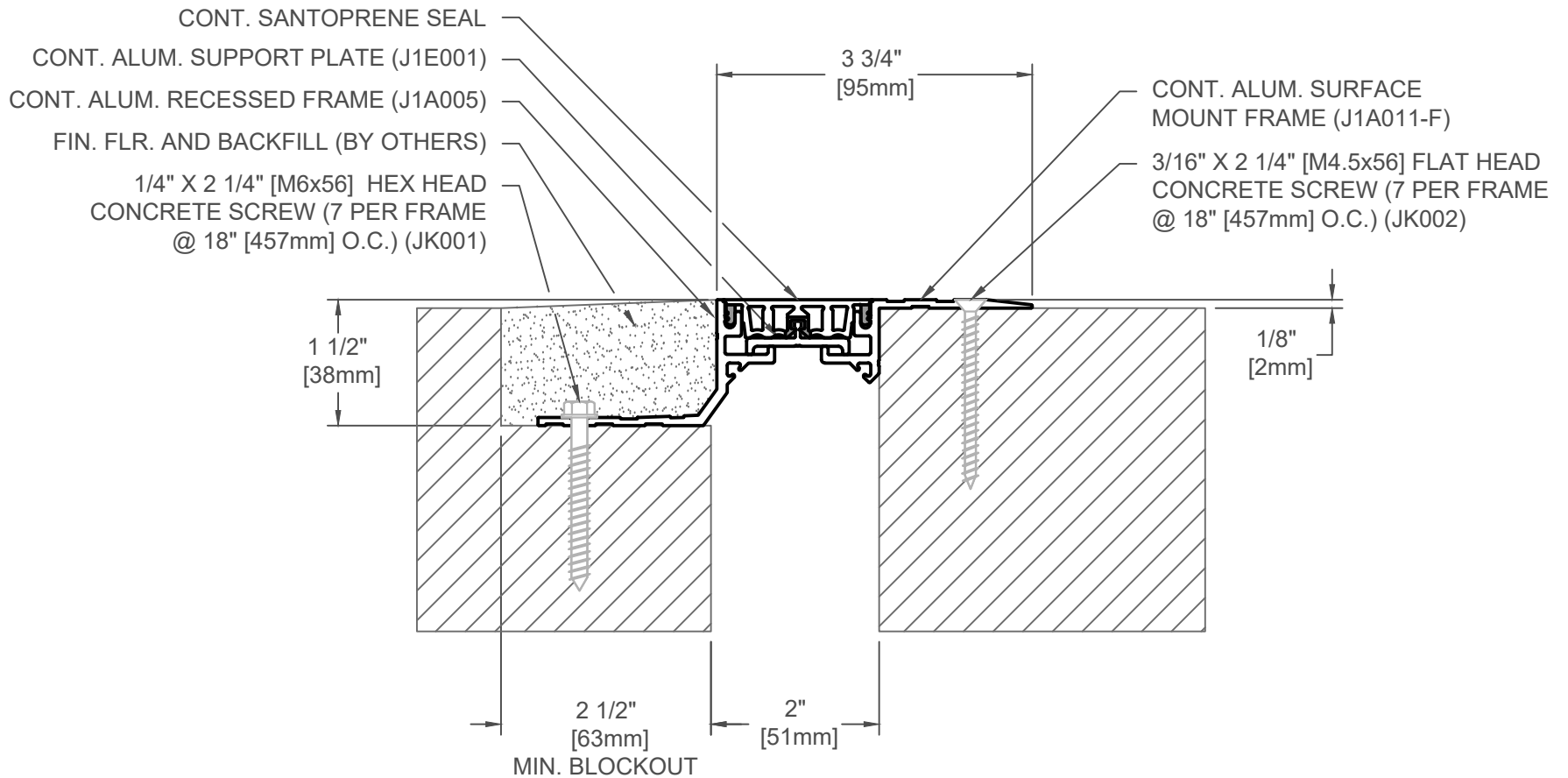
FINISH: ALUM. FINISH-MILL
PROJECT:
CUSTOMER:
LOCATION:

APPLICATION-
NEW TO OLD FLOOR/FLOOR CONDITION

DATE:	03-01-17
SCALE:	1:2
DOC:	CADJM.071/R2

inpro.

For More Information Visit: Inprocorp.com



107-A01-05038

SPECIFY SEAL COLOR:	
Black (J1D201)	
Beige (J1D202)	
Gray (J1D203)	
Off White (J1D204)	
Bright White (J1D205)	
Greige (J1D206)	

JOINT WIDTH		MOVEMENT ±			
		HORIZONTAL		VERTICAL	
US	mm	US	mm	US	mm
2"	51	1/2"	13	1/2"	13

NOTE: TO DETERMINE BLOCKOUT DEPTH, DEDUCT THICKNESS OF FIN. FLR. FROM FRAME HEIGHT.

FINISH: ALUM. FINISH-MILL

PROJECT:

CUSTOMER:

LOCATION:

APPLICATION-
NEW TO OLD FLOOR/FLOOR CONDITION

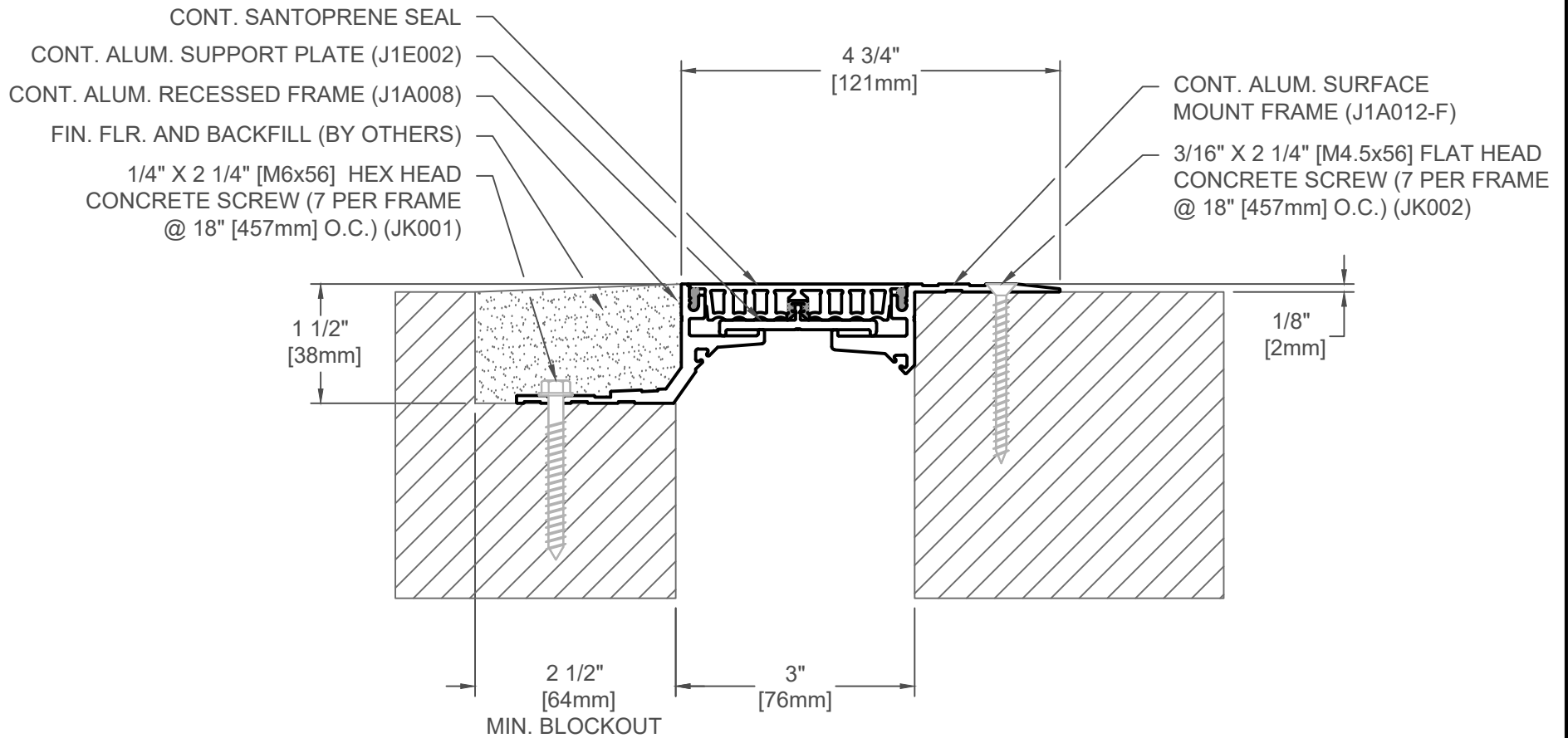
DATE: 03-01-17

SCALE: 1:2

DOC: CADJM.071/R2

inpro.

For More Information Visit: Inprocorp.com



107-A01-07538

SPECIFY SEAL COLOR:	
Black (J1D301)	
Beige (J1D302)	
Gray (J1D303)	
Off White (J1D304)	
Bright White (J1D305)	
Greige (J1D306)	

JOINT WIDTH		MOVEMENT ±			
		HORIZONTAL		VERTICAL	
US	mm	US	mm	US	mm
3"	76	3/4"	19	3/4"	19

NOTE: TO DETERMINE BLOCKOUT DEPTH, DEDUCT THICKNESS OF FIN. FLR. FROM FRAME HEIGHT.

FINISH: ALUM. FINISH-MILL

PROJECT:

CUSTOMER:

LOCATION:

APPLICATION-
NEW TO OLD FLOOR/FLOOR CONDITION

DATE: 03-01-17

SCALE: 1:2

DOC: CADJM.071/R2

inpro.

For More Information Visit: Inprocorp.com