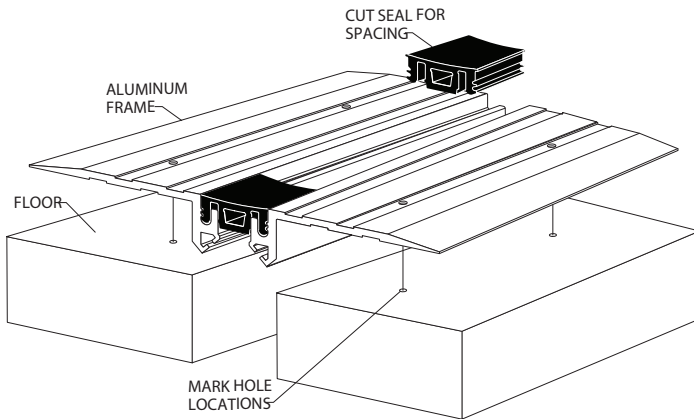


Installation Instructions

Joint System: 103, 104, 105, 106-A01/A02

Note: Verify that the structural gap is in conformance with submittal data before beginning installation. If this is a Fire Rated Assembly, the fire barrier must be installed before the Architectural Joint System. Refer to the fire barrier instructions for specific system installation.

Fig. 1 (104-A01 Floor to Floor shown)



1. Install the architectural joint system on a level surface. This may require adding leveling compound to raise the tops of the frames.

Figure 1

2. Cut the aluminum frames to the desired length.
3. To properly space frames, cut three small 2" [50mm] sections of seal. Insert one at each end and one in the center of each set of frames.
4. Center the frames over the structural gap and drop into recess.
 - 4a. For floor to wall system, make sure aluminum wall frame is firmly located against the finished wall. The top of the pre-cut spacer should be level (see Figure 1a).
5. Mark the pre-drilled hole locations on the substrates.
6. Remove the frame assembly from the gap.

Fig. 1a. (104-A02 Floor to Wall shown)

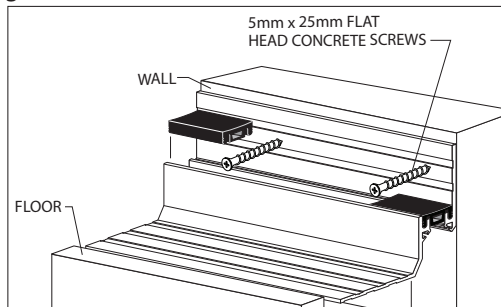


Figure 2

7. Drill holes on the substrate using a 1/8" (3mm) concrete drill bit to 2 3/8" (60mm) depth.
 - 7a. Optional Integral Vapor Barrier: Starting at one end of the frame assembly, slide vapor barrier into dart receptacles (see Figure 2a).
8. Return the frame assembly into position over the drilled hole locations. Secure the frames in place and remove the temporary spacers.
9. Insert the Santoprene seal into the recessed frame slots until the seal is flush with the tops of the frames.

Fig. 2

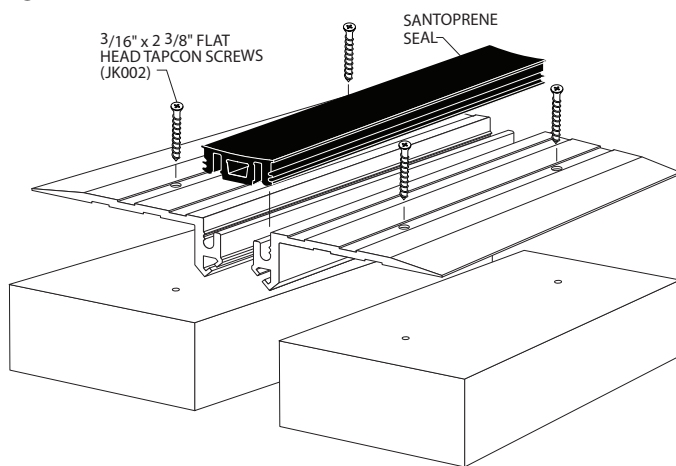
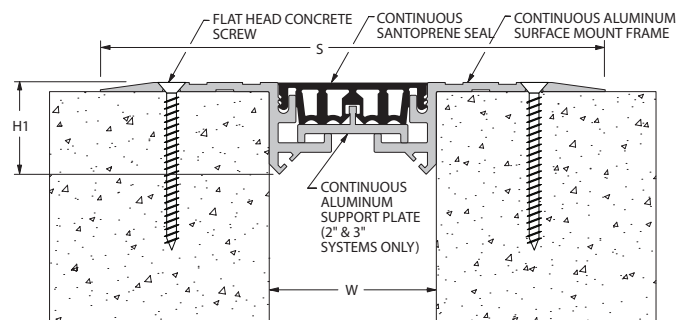


Fig. 2a.



IPC.804/REV.3

JOINTMASTER® Expansion Joint Systems

inpro.com • 800.222.5556 • 262.679.9010

World Headquarters S80 W18766 Apollo Drive, Muskego, WI 53150 USA

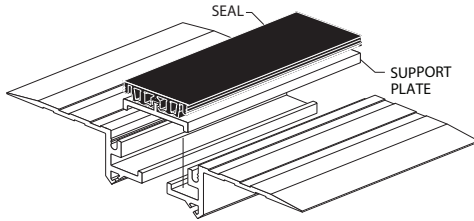
Installation Hotline: 866.394.6776

inpro®

Installation Instructions

Joint System: 103, 104, 105, 106-A01/A02

Fig. 2b.



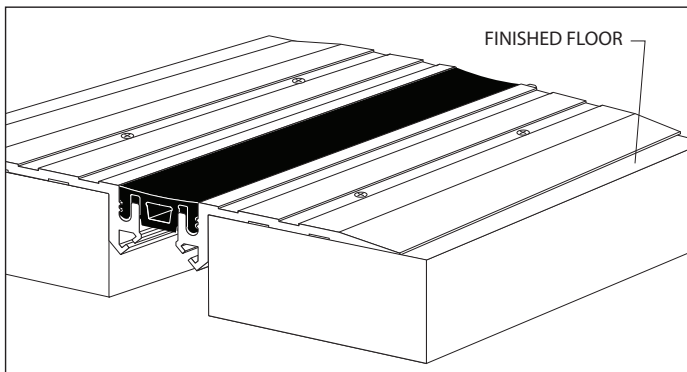
NOTE: To assist in installing the seal, apply a mist of soapy water solution to the back of the seal. A 1" [25mm] wide seam roller may be used to fully engage the seal ears into the frame slots.

- 9a. For the 1" [25mm] system, press the seal securely into the frame slots.
- 9b. For the 2" [50mm] and 3" [75mm] systems, make sure the seal is first inserted into the support plate. Then, center the seal and aluminum support plate assembly over the frames' support legs (see Figure 2b).

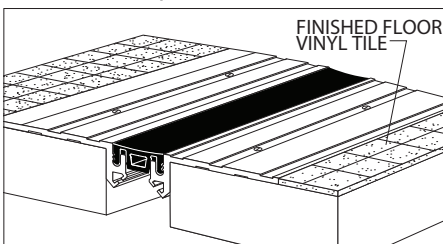
Figure 3

- 10. For the 103 Series, install the floor finish level to the sides of the frames. For the 105 and 106 series install floor finish over frame flange level to the top of seal. Clean the exposed surfaces with a non-solvent cleaner, such as 409, as required.

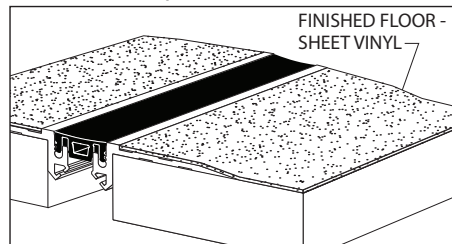
Fig. 3 (104-A01 completed installation)



(103-A01 completed installation)



(105-A01 completed installation)



(106-A01 completed installation)

