

# Installation Instructions

1000/G2-1000/1000FV/1055 Handrails

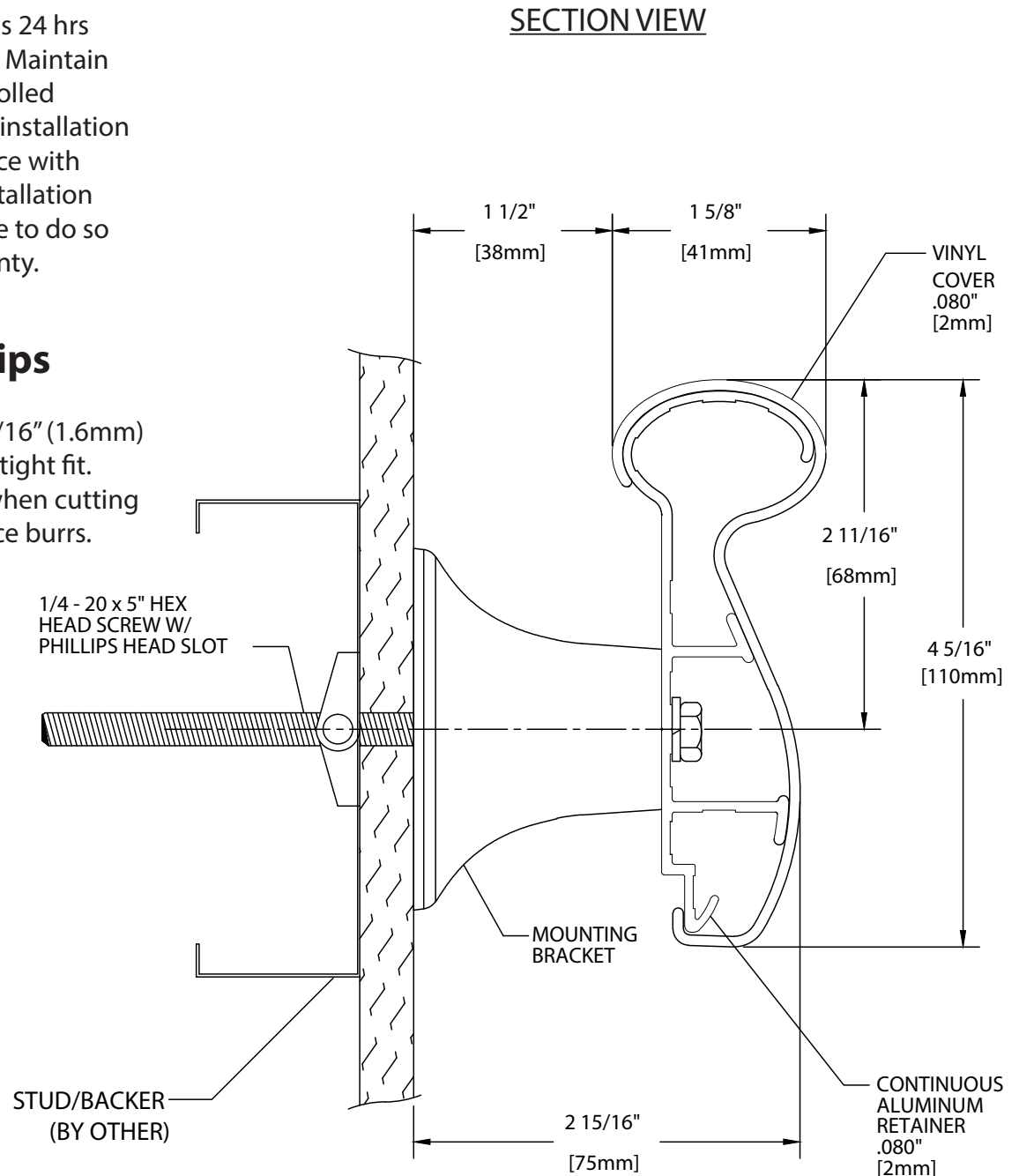
Please read all instructions before installing handrail.

## Important

1. Acclimate materials 24 hrs before installation. Maintain temperature controlled environment after installation
2. Install in accordance with manufacturer's installation instructions. Failure to do so will void the warranty.

## Installation tips

1. Cut covers up to 1/16" (1.6mm) longer to ensure a tight fit.
2. Lubricate blades when cutting aluminum to reduce burrs.



### Recommended tools

Safety Glasses, Tape Measure, 3/8" socket for machine screw hex bolt, 7/16" socket for wood screw hex bolt Level, Power Drill, Drill Bits - 1/4" masonry (concrete/concrete block), Power Miter Saw, 10" Blade with 60-80 Carbide Tipped Teeth

IPC.1685/REV.6

IPC® Door + Wall Protection

inpro.com • 800.222.5556 • 262.679.9010

World Headquarters S80 W18766 Apollo Drive, Muskego, WI 53150 USA

Installation Hotline: 866.394.6776

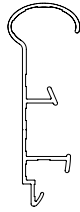
**inpro**®

# Installation Instructions

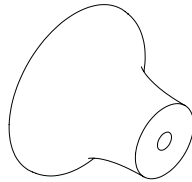
1000/G2-1000/1000FV/1055 Handrails

Please read all instructions before installing handrail.

## Components and fasteners



1000A  
CONTINUOUS  
ALUMINUM RETAINER



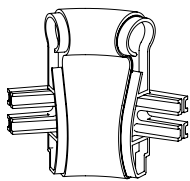
1001  
MOUNTING BRACKET



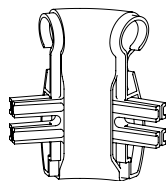
1000V/1055V  
COVER



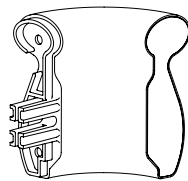
1000 RVL  
REVEAL



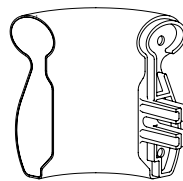
1005135  
135° INSIDE  
CORNER



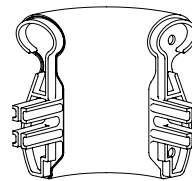
1004135  
135° OUTSIDE  
CORNER



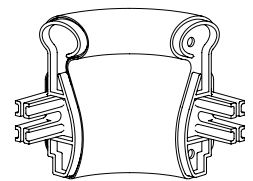
1002  
LEFT RETURN



1003  
RIGHT RETURN



1004  
OUTSIDE  
CORNER



1005  
INSIDE  
CORNER



804-910-SPL  
SPLICE



1/4"  
LOCK WASHER  
SPRING REGULAR



1/4-20  
FLANGED SCREW  
HEX NUT



1/4-20 X 1  
HEX WASHER  
SCREW

Wall Condition	Specified Fasteners	Inpro Part #
Steel Stud/Gypsum Wall	1/4-20 x 5" Phillips hex head Bolt with toggle wing and lock washer	HWK-1001D
Concrete/Concrete Block	1/4-20 x 5" Phillips hex head bolt with lead anchor and lock washer	HWK-1001C
Wood Stud/Gypsum Wall	1/4" x 5" Hex Head Wood Screw and lock washer	HWK-1001W
16 gauge steel Backer/Gypsum wall	#14 X 4" Indented hex washer, zink-plated TEK SCREW	HW69
Steel Stud or Metal Backer/Drywall (OSHDP)	1/4-20 x 5" Phillips hex head Bolt with lock washer and 1/4" Hilti Toggle	HWK-1001OD
Concrete/Concrete Block (OSHDP)	1/4" x 4" Torx Hex Washer Head Screw (Hilti Kwik-Con II) and lock washer	HWK-1001OC
Wood Stud or Wood Backer/Gypsum Wall (OSHDP)	1/4" x 5" Hex Head Wood Screw and lock washer	HWK-1001OW

IPC® Door + Wall Protection

inpro.com • 800.222.5556 • 262.679.9010

World Headquarters S80 W18766 Apollo Drive, Muskego, WI 53150 USA

Installation Hotline: 866.394.6776

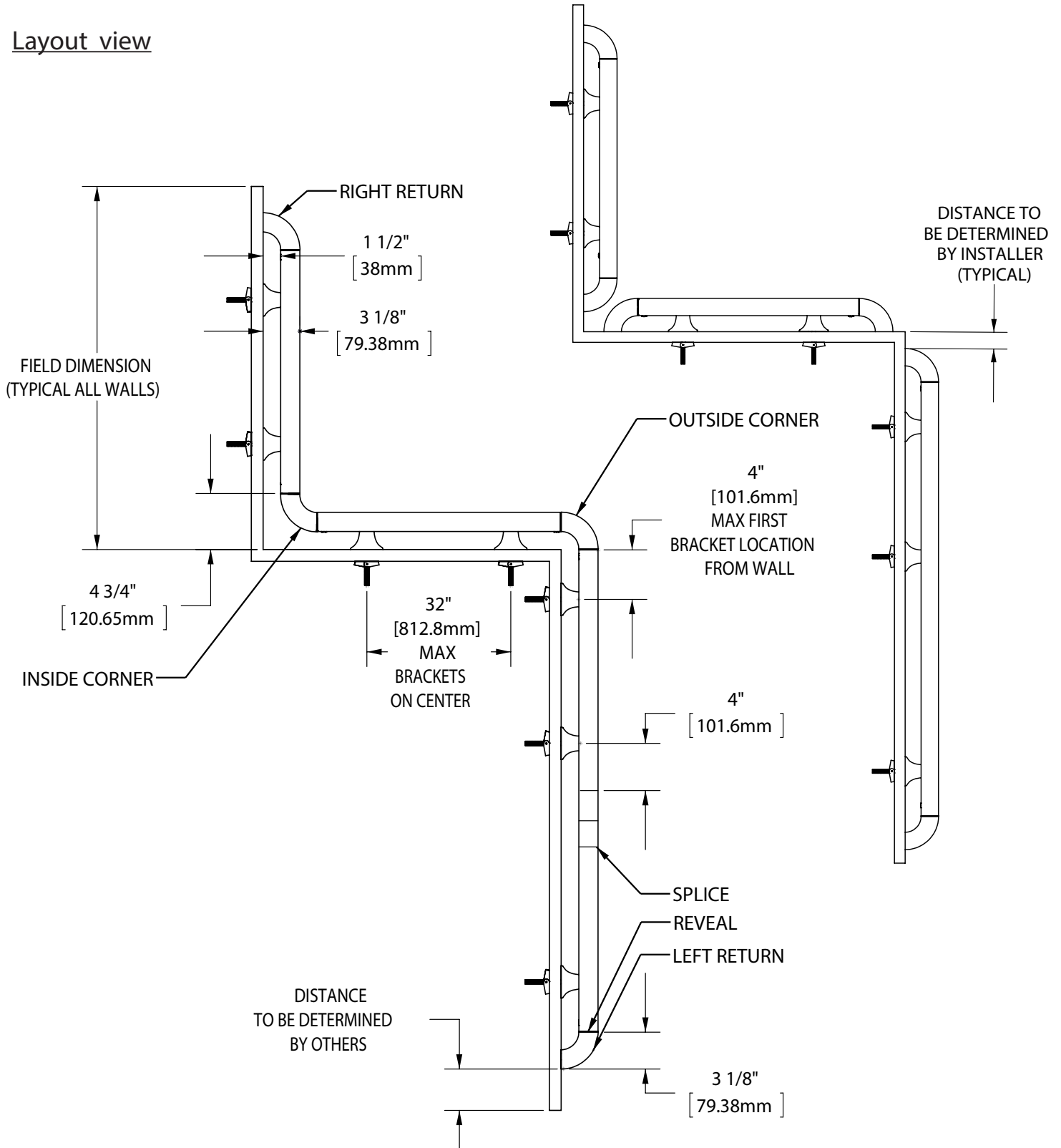
**inpro**®

# Installation Instructions

1000/G2-1000/1000FV/1055 Handrails

Please read all instructions before installing handrail.

## Layout view



IPC® Door + Wall Protection

inpro.com • 800.222.5556 • 262.679.9010

World Headquarters S80 W18766 Apollo Drive, Muskego, WI 53150 USA

Installation Hotline: 866.394.6776

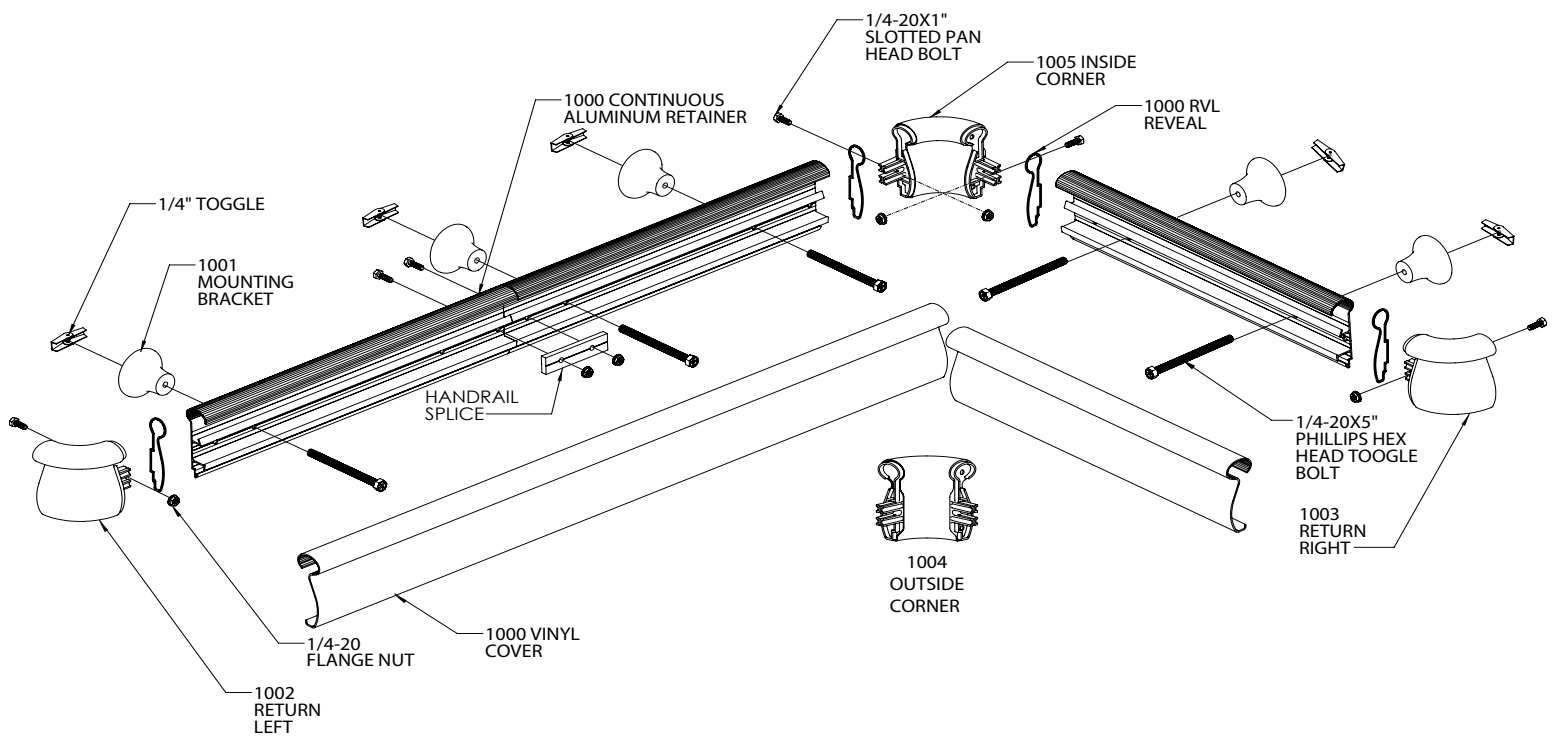
**inpro**®

# Installation Instructions

1000/G2-1000/1000FV/1055 Handrails

Please read all instructions  
before installing handrail.

## Exploded view assembly



IPC® Door + Wall Protection

inpro.com • 800.222.5556 • 262.679.9010

World Headquarters S80 W18766 Apollo Drive, Muskego, WI 53150 USA

Installation Hotline: 866.394.6776

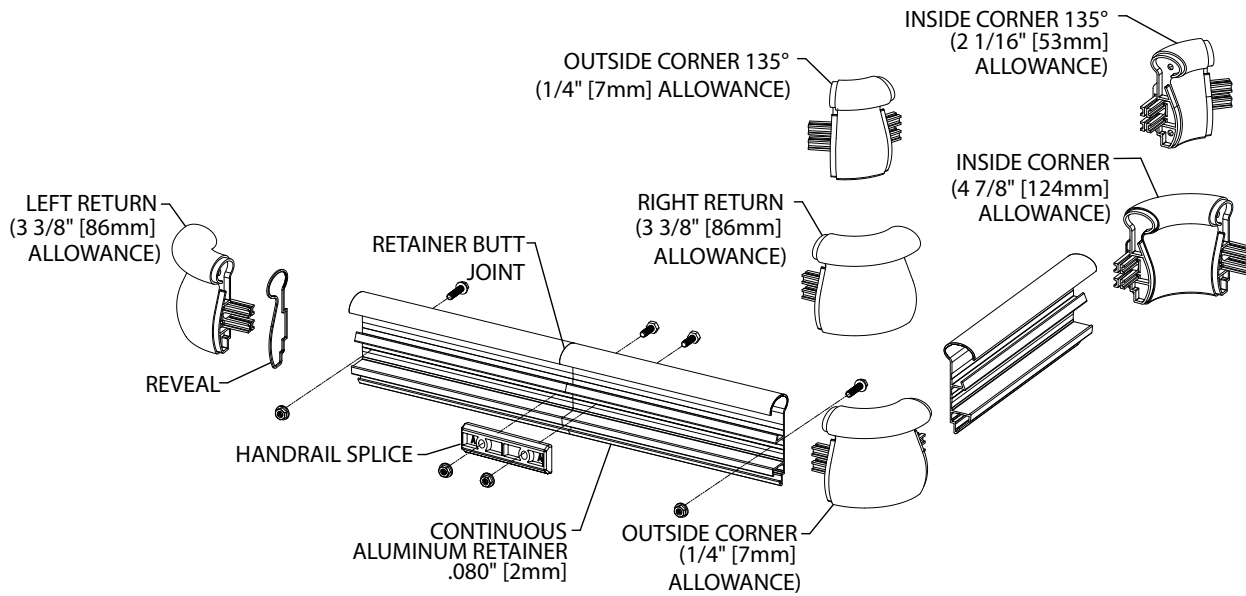
**inpro**®

# Installation Instructions

1000/G2-1000/1000FV Handrails

Please read all instructions before installing handrail.

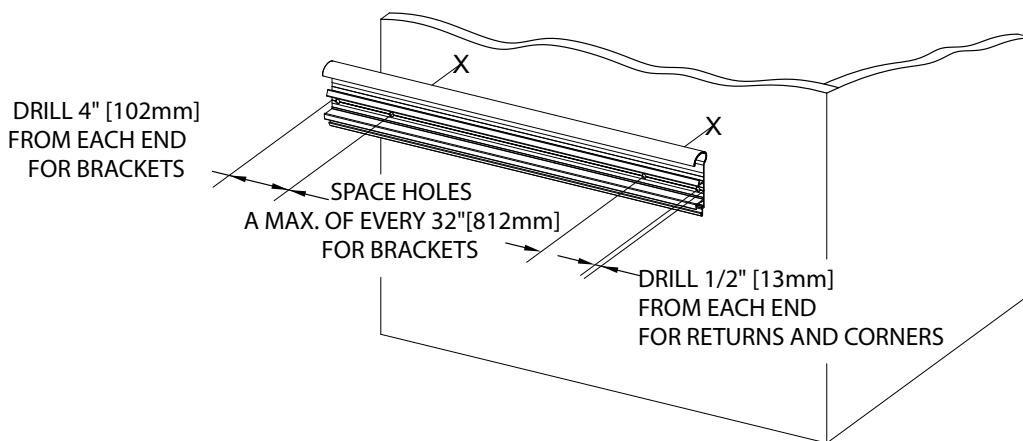
FIG. 1



1. Cut aluminum retainer to desired length, leaving allowance for returns, outside corners and inside corners. See Fig. 1.

2. Drill holes in centerline of aluminum retainer for brackets, returns, corners and splices using 1/4" drill bit. Position aluminum retainer against wall at desired height allowing for returns and corners. Level and mark bracket holes on wall. Drill marked holes with 3/4" drill bit for toggle bolts (drywall installation) or 1/2" drill bit for lead anchor (concrete wall installation). See Fig. 2.

FIG. 2



IPC® Door + Wall Protection

inpro.com • 800.222.5556 • 262.679.9010

World Headquarters S80 W18766 Apollo Drive, Muskego, WI 53150 USA

Installation Hotline: 866.394.6776

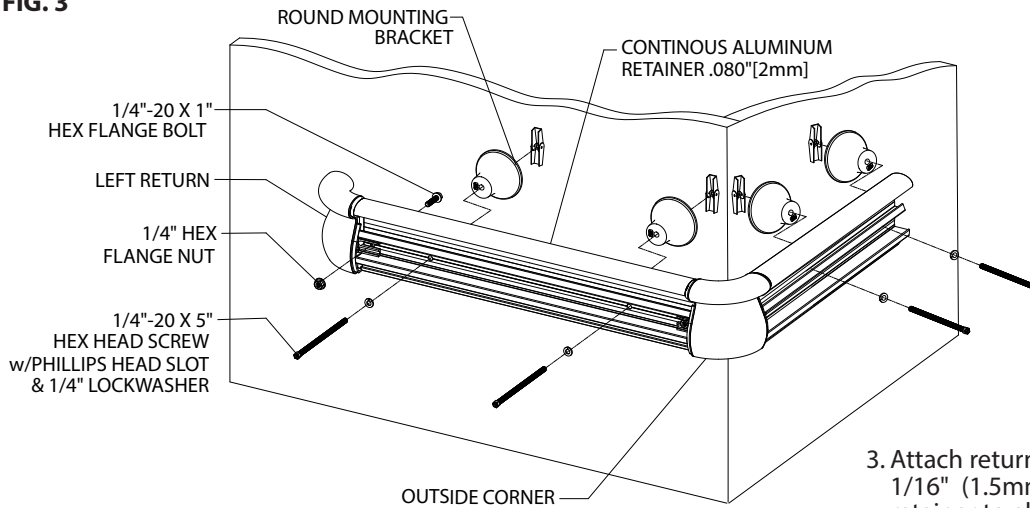
**inpro**®

# Installation Instructions

1000/G2-1000/1000FVHandrail

Please read all instructions before installing handrail.

FIG. 3



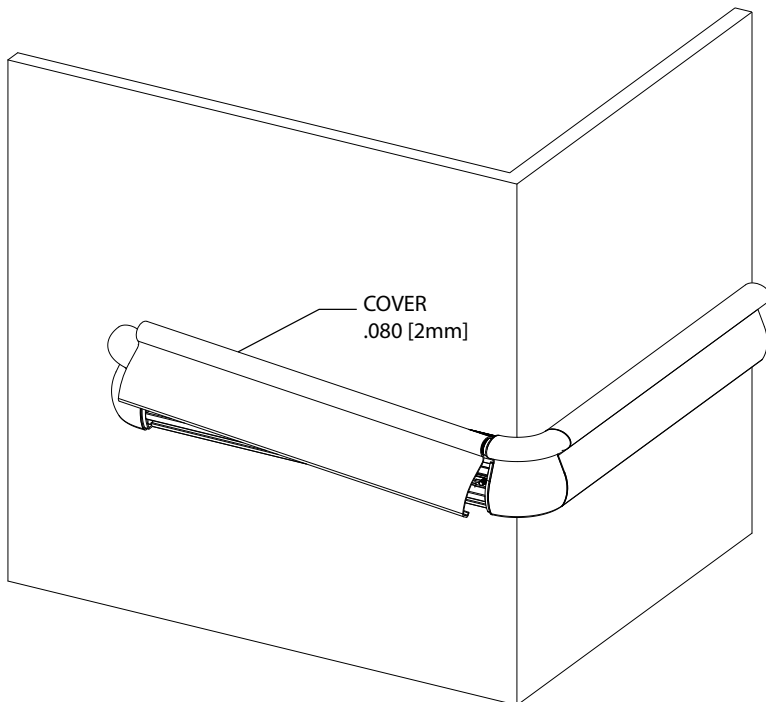
3. Attach returns and corners to retainer leaving a 1/16" (1.5mm) gap between returns/corners and retainer to allow for adjustment. Loosely attach brackets to retainer. Mount on wall, level retainer and tighten screws to secure. See Fig. 3.

**Note:** See I000HR Reveal Installation Instructions to install reveals.

3a. For long runs of handrail, secure each section of aluminum retainer to the next with the supplied splice piece.

**NOTE:** Make sure you install the splice with side "A" facing out.

FIG. 4



4. Cut cover to length between returns and/or corners. (Note: Trim factory edges square before installation). Position cover on retainer and adjust returns and/or corners for a tight fit. Snap cover on retainer by starting at top and pivoting over the bottom of retainer. See Fig. 4.

IPC® Door + Wall Protection

inpro.com • 800.222.5556 • 262.679.9010

World Headquarters S80 W18766 Apollo Drive, Muskego, WI 53150 USA

Installation Hotline: 866.394.6776

**inpro**®